

## INSTALLATION INSTRUCTION SHEET

(DC150 & DC150-90)

### **IMPORTANT:**

- Read all instructions carefully before attempting installation. If you do not understand these instructions, please consult your local distributor.
- Thoroughly inspect the fixture for any freight damage; freight damage should be reported to the delivery carrier.



**WARNING:** Disconnect power during installation and before servicing.



### **SAFETY:**

- This fixture must be wired in accordance with the National Electric Code and applicable local codes or ordinances.
- All work should be performed by a qualified electrician.
- To insure personal safety, proper grounding is required (connect green fixture lead to supply ground).

### WALL PACK



### **MOUNTING:**

1. Open the fixture from the front by removing the two screws located on the right side of the housing. Remove lamp for later use.
2. Knock out / drill holes in the rear housing for mounting fixture to wall and for securement to junction box (j-box not provided).
3. Apply silicon sealant (not provided) to any holes to prevent water entry.
4. Secure fixture to wall with two or more screws (not provided).
5. Secure fixture to junction box with screws (not provided).

### **WIRING CONNECTIONS:**

1. Connect the black fixture wire to the black supply wire (line).
2. Connect the white fixture wire to the white supply wire (neutral).
3. Connect the green fixture wire to the junction box ground wire.

### **REASSEMBLY**

1. Close the front lens housing. Replace and tighten housing screws. Ensure the wiring is properly secured inside the fixture.

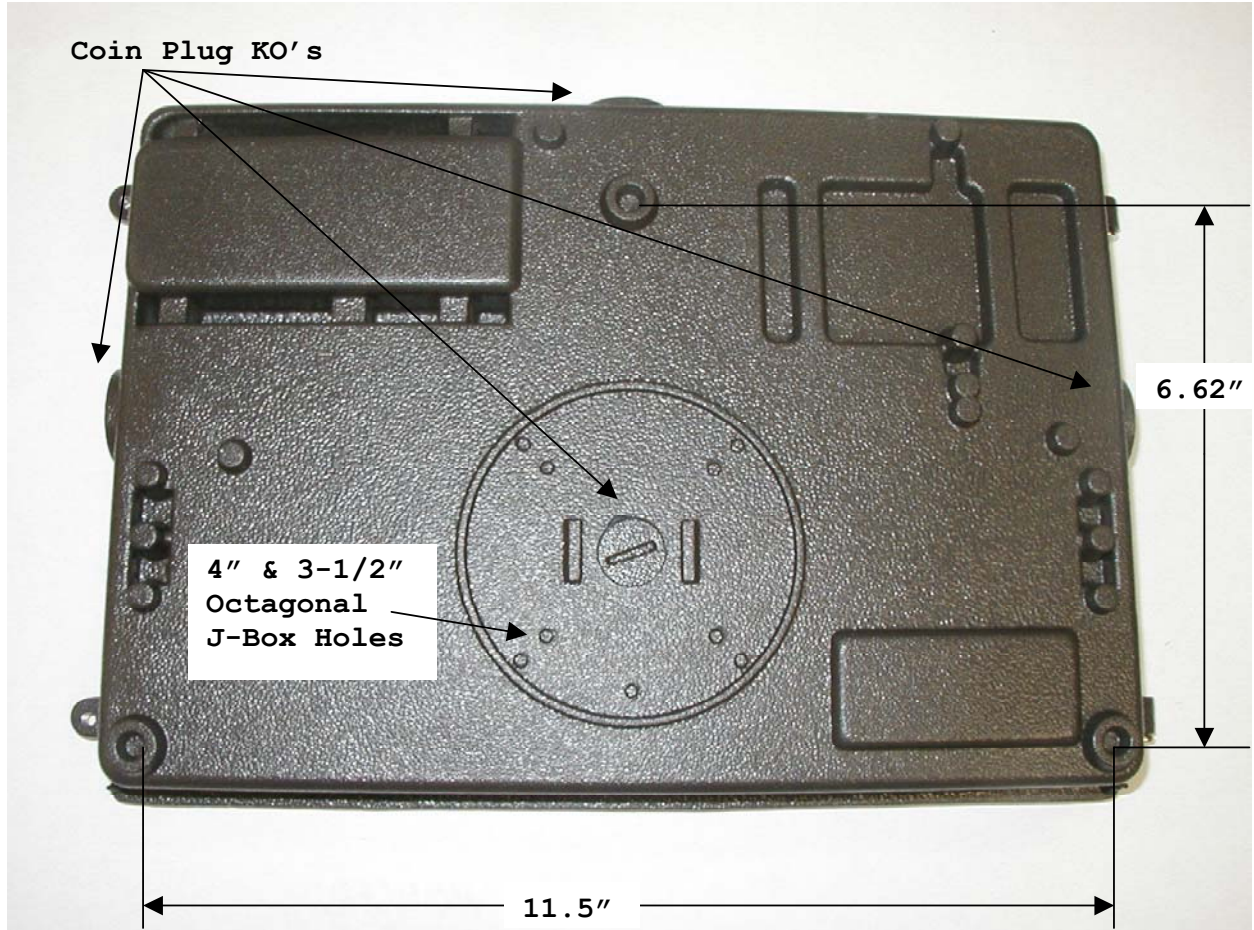


**TROUBLESHOOTING TIPS:** If the fixture fails to operate properly, check the following:

- Verify proper line voltage is present and wired to the correct input voltage lead.
- Verify that the fixture is grounded.



**WARNING:** These procedures should only be performed by a qualified electrician. Supply power should be turned off when replacing components or checking connections. Never perform maintenance or cleaning while fixture is energized. Disconnect power and allow lamp to cool before replacing.



Use the drill & knockout template found on the inside back surface of the fixture to match most standard recessed junction boxes (J-Box Holes as indicated in photo).

For more secure installation, bolt backplate to mounting surface using standoff's (shown in photo at 11.5x6.6 spacing).

1. Open the fixture from the front by removing the two screws located on the right side of the housing.
2. Knock out / drill holes in the rear housing for mounting fixture to wall and for securement to junction box (j-box not provided).
3. Apply silicon sealant (not provided) to any mounting holes to prevent water entry.
4. Secure fixture to wall with two or more screws (not provided).
5. Secure fixture to junction box with screws (not provided).
6. Complete input wiring connections to power source and ground.