

LS-Pendant Installation Instructions

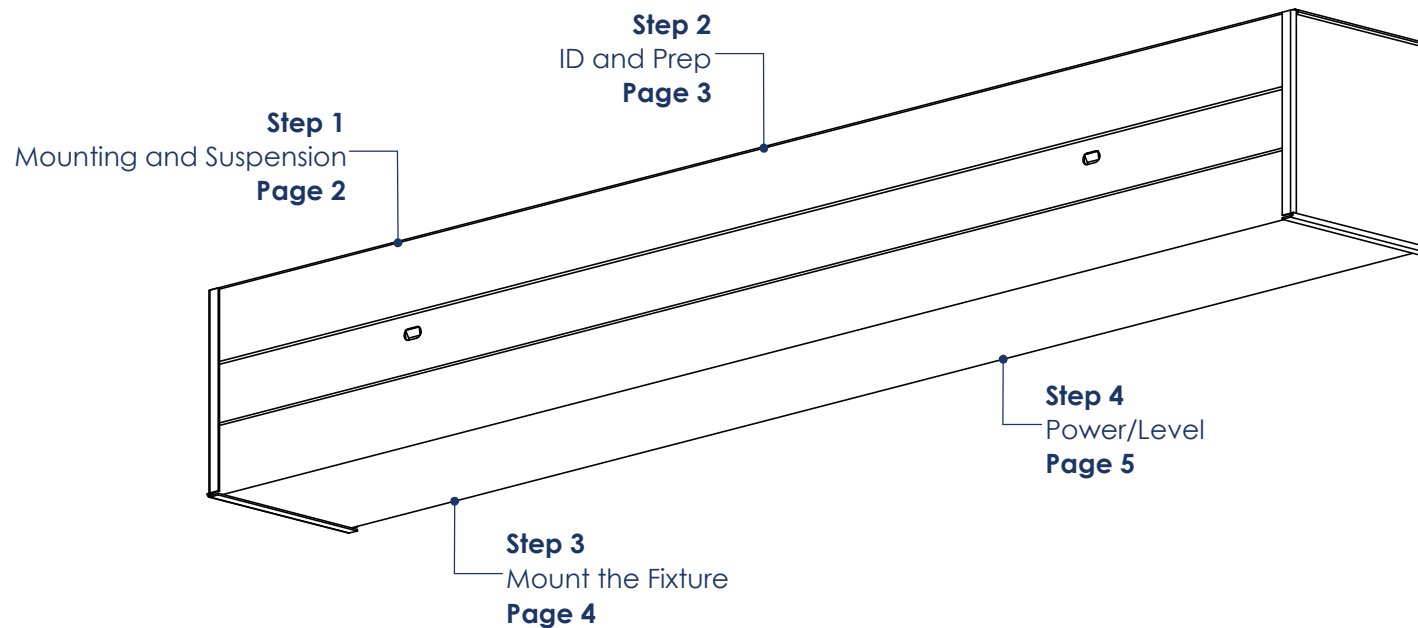
Overview



MOBERN
LIGHTING

WARNINGS

- This product must be installed in accordance with all applicable codes by a person familiar with the product.
- Each fixture must be **properly supported** during install.
- **DO NOT** join fixtures on the floor prior to lifting, or damage will occur.
- **Before beginning installation**, review our complete list of warnings by visiting www.saylite.com/warnings.



Your particular build may vary.

2020© Mobern Lighting Company | 8200 Stayton Dr., Suite 500, Jessup, MD 20794 | www.mobern.com

LS-Pendant Installation Instructions

Step 1 - Mounting and Suspension

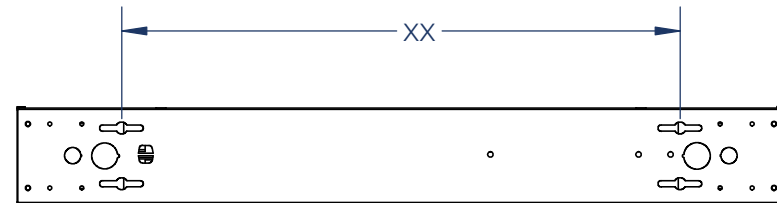


Mounting

Drywall or other hard surfaces - GT-310/315 Hanging Kit*

- Install hanging kits at suspension locations.
- Ensure hanging kits are secure.
- Prepare fixture for mounting.

Other hard surfaces include: wood, sheet metal panels, steel beams, concrete or masonry. Use hardware appropriate for each surface and material type.



Suspension Locations

X = Suspension Dimensions

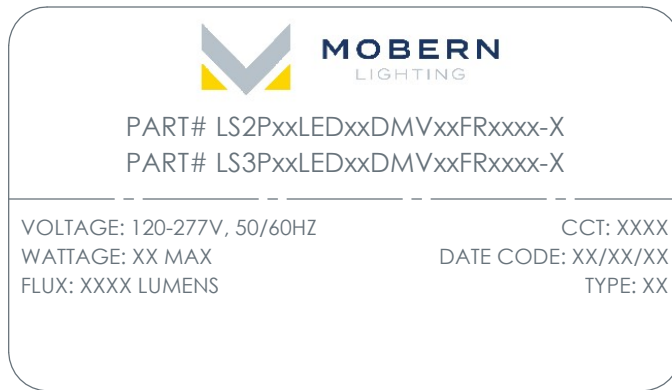
Refer to Assembly Drawings and building plans to determine exact mounting, suspension points, and power feed locations.

LS-Pendant Installation Instructions

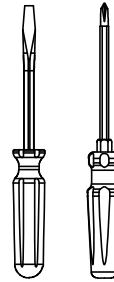
Step 2 - Identification and Preparation



A. Identify Fixtures



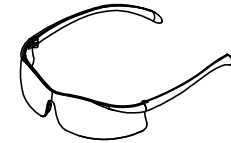
B. Tools Needed



Screwdrivers



Pliers



Safety Glasses

- Use labels found on the box and inside the fixture bodies to identify bodies.
- **NOTE:** Locations of labels can vary.
- Remove all fixtures from their boxes.
- Organize fixtures based on their labels at the install location.

- Always use proper safety equipment when installing fixtures.
- Tools shown are recommended for standard install. Tools needed may vary based on actual install location conditions.

Kitted Hardware

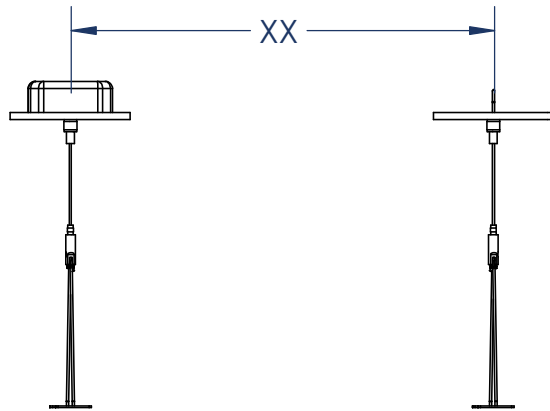
- Saylite has provided the items listed here, with their Saylite part numbers listed. These items can be found in separate boxes shipped with the fixture.
- Ensure all parts are accounted for and set them aside until needed.
- Any additional hardware needed for this installation will be provided by others.

LS-Pendant Installation Instructions

Step 3 - Mount the Fixture

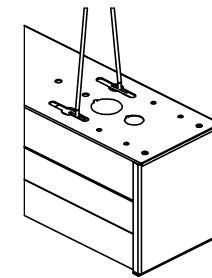
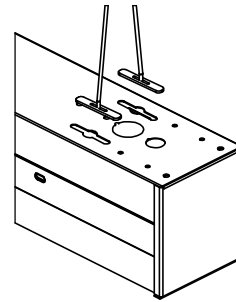


A. Install Hanging Kits



- Install the hanging kits to the ceiling at the desired mounting locations.
- Ensure that hanging kits are properly secured.
- Refer to hanging kit installation guide for more information.

B. Hang the Fixture



- Insert the paddles to the keyways located on the back side of the fixture.
- Rotate the paddles vertically to slide them into the keyways.

LS-Pendant Installation Instructions

Step 4 - Power and Level the Fixture

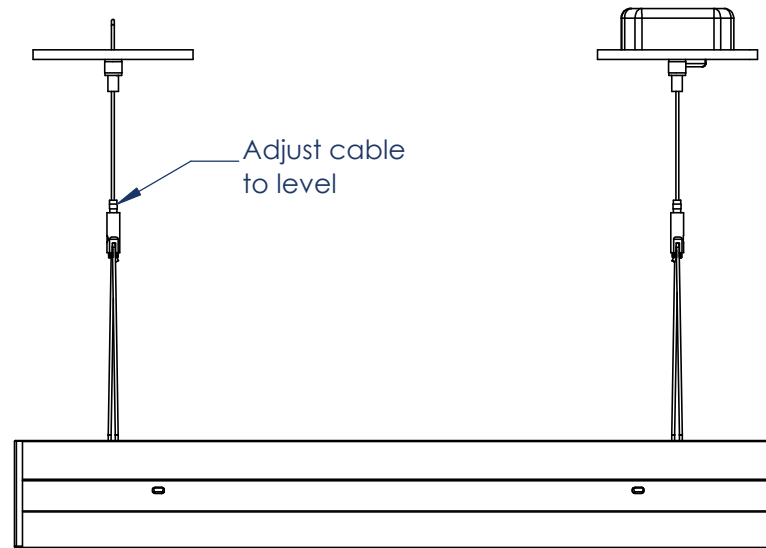


A. Connect Fixture Wiring

WIRING LEGEND		
BLACK	HOT	Line Voltage
WHITE	NEUTRAL	Line Voltage
GREEN	GROUND	
GRAY	DIMMING	0-10V DC
VIOLET	DIMMING	0-10V DC

- Wire fixture to the incoming power supply using the pre-installed power cable.
- For dimming option, refer to wiring legend above.
- Use UL approved connectors only. Follow all local, state and national codes.

B. Level the Fixture



- Adjust the hanging cables to ensure the fixture is level if needed.
- Snip excess cable.
- Fixture installation is now complete.