

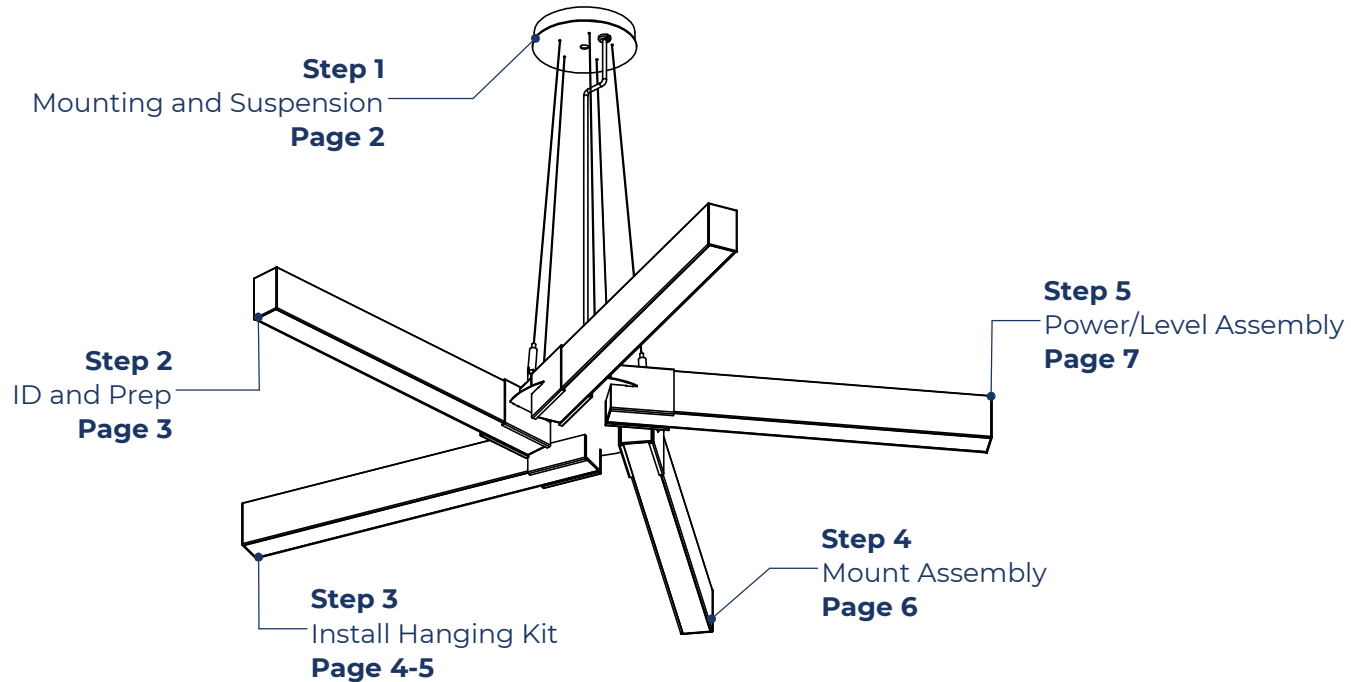
PGN23-Fans Installation Instructions

Overview



WARNINGS

- This product must be installed in accordance with all applicable codes by a person familiar with the product.
- Each fixture must be **properly supported** during install.
- **DO NOT** join fixtures on the floor prior to lifting, or damage will occur.
- **Before beginning installation**, review our complete list of warnings by visiting www.saylite.com/warnings.



Your particular build may vary.

2020© Mobern Lighting Company | 8200 Stayton Dr., Suite 500, Jessup, MD 20794 | www.mobern.com

Form MCM - MOB-PGN23-FAN, V1, 09/20

PGN23-Fans Installation Instructions

Step 1 - Mounting and Suspension



MOBERN
LIGHTING

Mounting Options

Drywall or other hard surfaces* - PGN23 Fan Hanging Kit

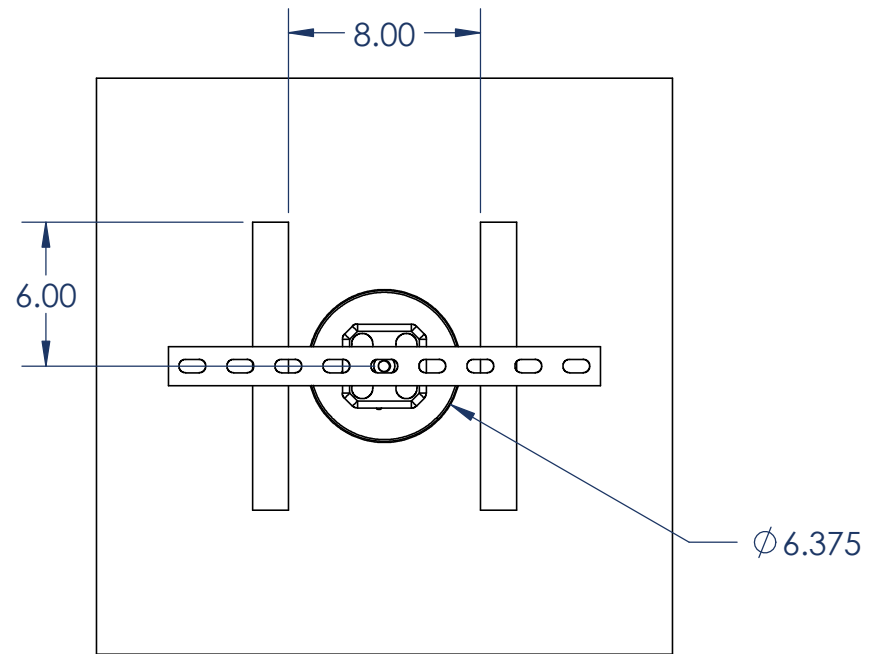
- Install hanging kits at suspension locations.
- Ensure hanging kits are secure.
- Prepare fixture for mounting.

*Other hard surfaces include: wood, sheet metal panels, steel beams, concrete or masonry. Use hardware appropriate for each surface and material type.

Suspension Locations

X = Suspension Dimensions

Refer to Assembly Drawings and building plans to determine exact mounting, suspension points, and power feed locations.

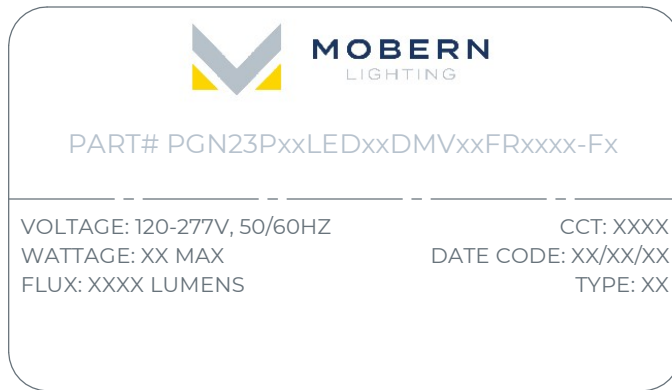


PGN23-Fans Installation Instructions

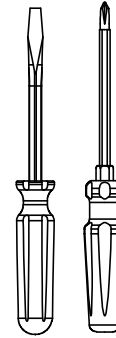
Step 2 - Identification and Preparation



A. Identify Fixtures



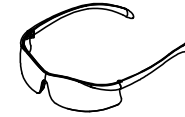
B. Tools Needed



Screwdrivers



Pliers



Safety Glasses

- Use labels found on the box and inside the fixture bodies to identify bodies.
- **NOTE:** Locations of labels can vary.
- Remove all fixtures from their boxes.
- Organize fixtures based on their labels at the install location.

- Always use proper safety equipment when installing fixtures.
- Tools shown are recommended for standard install. Tools needed may vary based on actual install location conditions.

Kitted Hardware

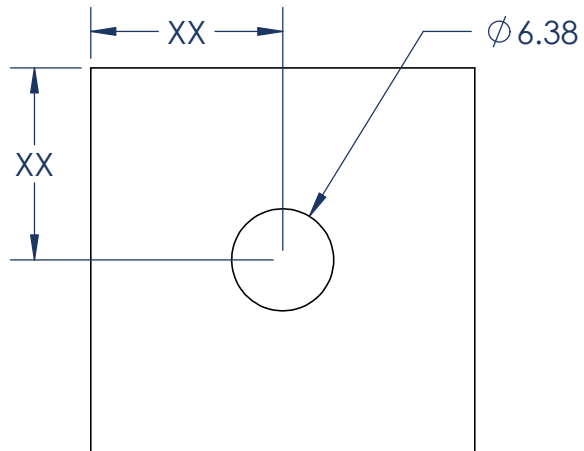
- Saylite has provided the items listed here, with their Saylite part numbers listed. These items can be found in separate boxes shipped with the fixture.
- Ensure all parts are accounted for and set them aside until needed.
- Any additional hardware needed for this installation will be provided by others.

PGN23-Fans Installation Instructions

Step 3 - Install Hanging Kit

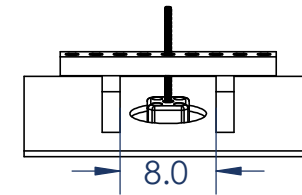
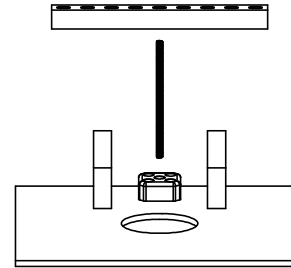


A. Make Cut Out



- Use a utility knife or equivalent tool to cut a hole in the ceiling for the PLY23 canopy to insert to.
- Location of hole to be determined by customer.

B. Install Bracing



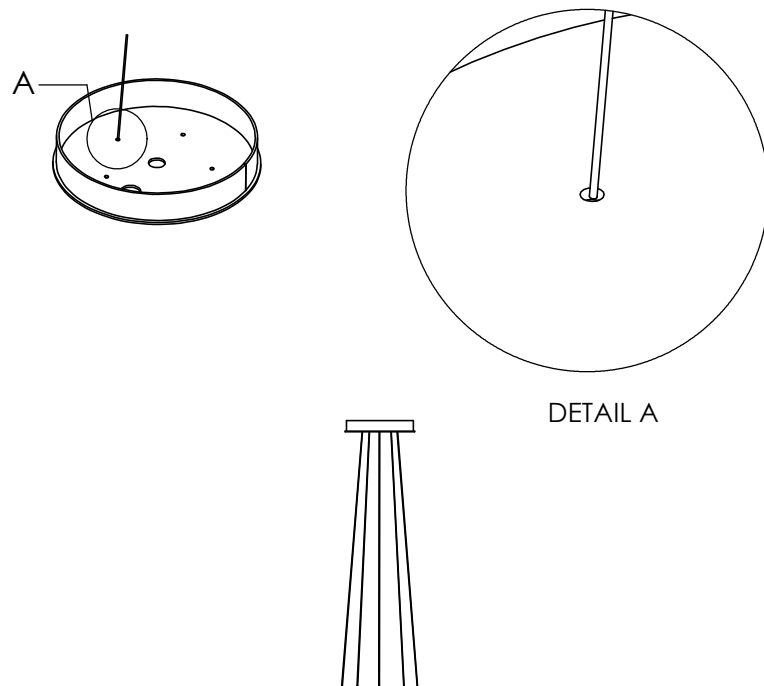
- Install the unistrut and 2X4 studs to the ceiling as shown. Studs should be spaced at least 8" apart.
- Use all thread to secure the junction box to the unistrut. Note that all thread and bracing must be able to support fixture weight (minimum 100 lbs).

PGN23-Fans Installation Instructions

Step 3 - Install Hanging Kit (Cont'd)

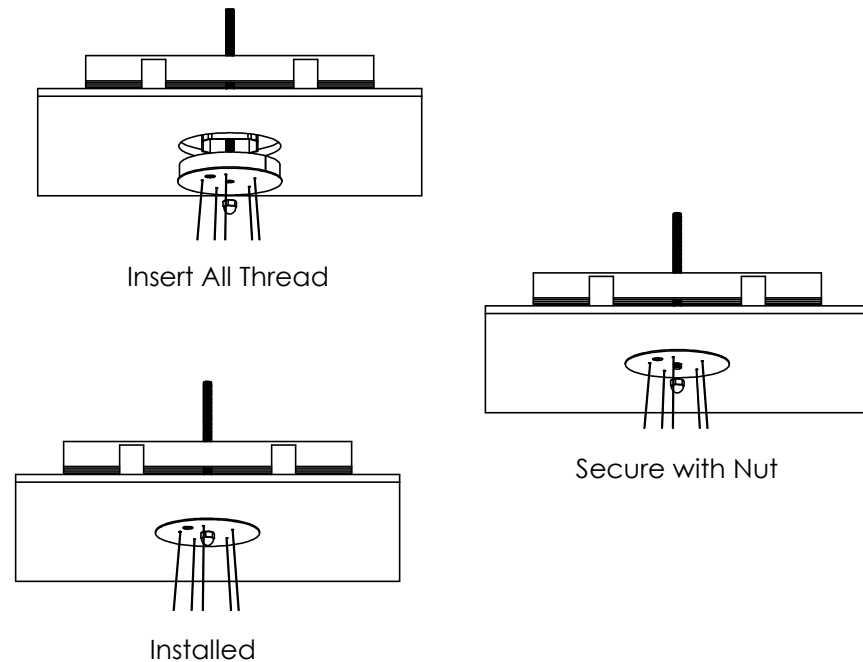


A. Insert Aircraft Cables



- Insert the aircraft cables to the PLY23 canopy, ensuring the cable stop is on top of the canopy.
- Pull thru all aircraft cables until the cable stop hits the top side of the PLY23 canopy.

B. Install to Ceiling



- Install the canopy with aircraft cables to the ceiling.
- Insert the all thread thru the center hole in the canopy and use the provided decorative nut to secure the canopy to the ceiling.
- Tighten the decorative nut 1/4 turn using pliers or equivalent.

NOTE: Depending on the fan configuration, the number of aircraft cables may differ from what is shown. This instruction guide shows a -F5 configuration.

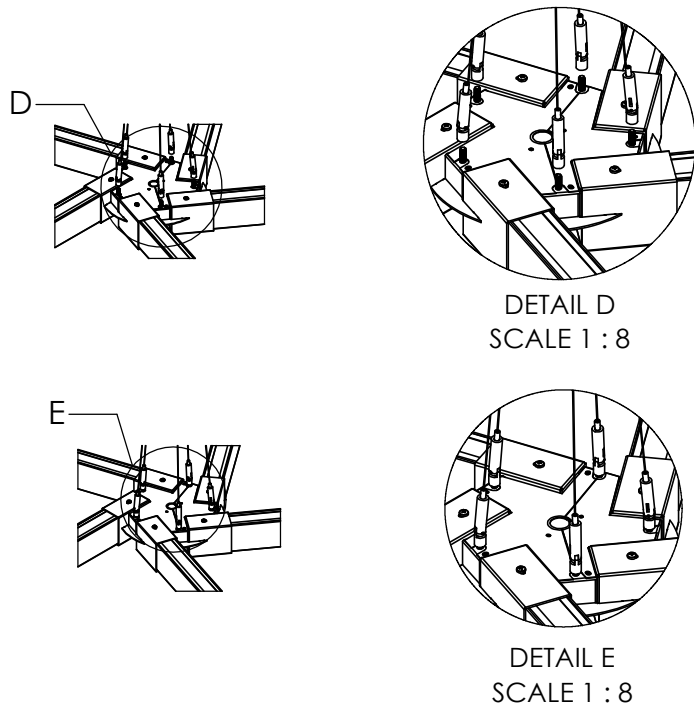
PGN23-Fans Installation Instructions

Step 4 - Mount the Assembly



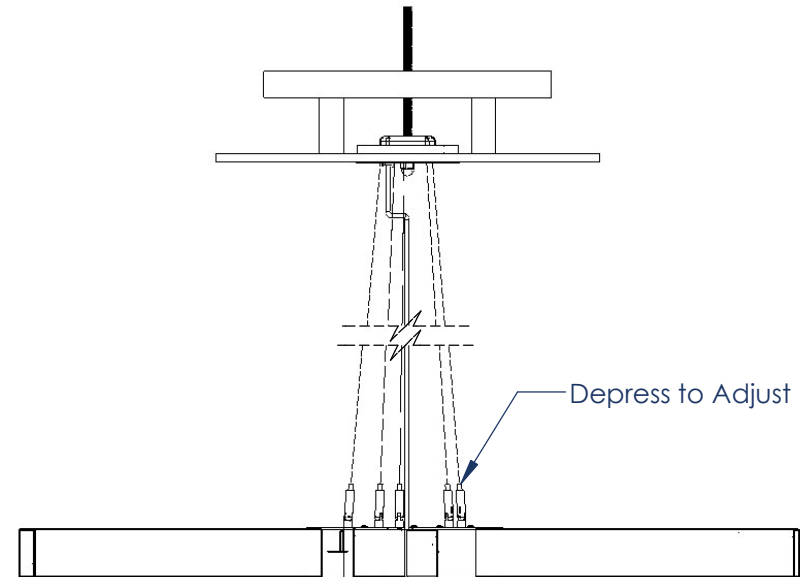
MOBERN
LIGHTING

A. Install Swivels to Bracket



- Install the swivels to the PLY23 bracket.
- Align the swivels such that the plane of rotation is oriented with the center of the bracket.
- Tighten the swivels 1/4 turn using pliers to ensure they are secured to the bracket.

B. Adjust Hanging Cables



- Depress the clutch and slide the cable thru until desired length is reached. Snip excess cable.

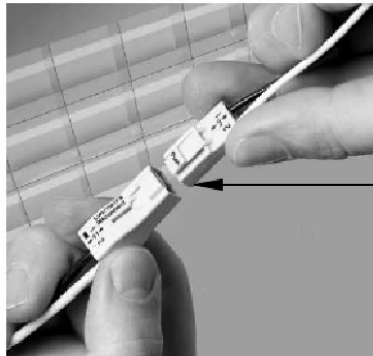
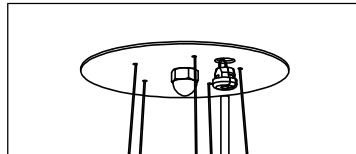
PGN23-Fans Installation Instructions

Step 5 - Wire and Level Assembly



MOBERN
LIGHTING

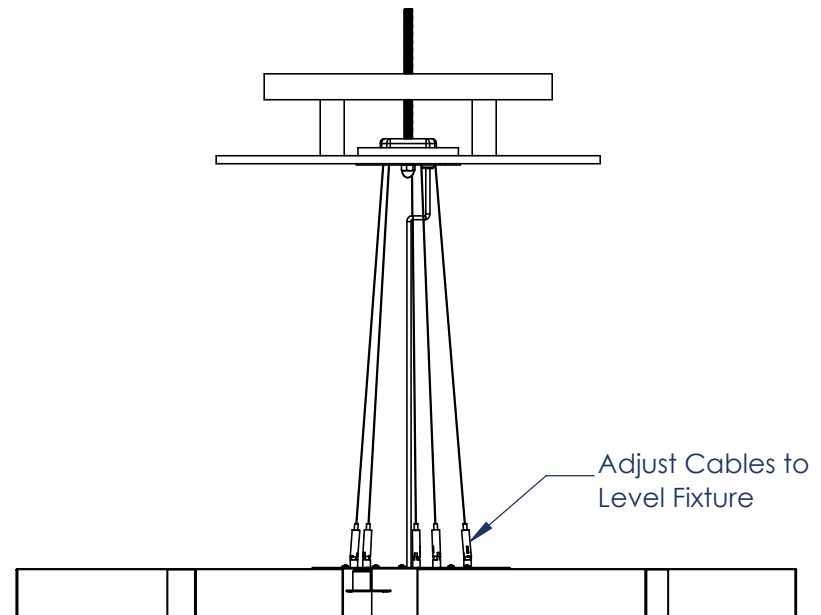
A. Wire the Assembly



WIRING LEGEND		
BLACK	HOT	Line Voltage
WHITE	NEUTRAL	Line Voltage
GREEN	GROUND	
GRAY	DIMMING	0-10V DC
VIOLET	DIMMING	0-10V DC

- Wire 'main fixture' to incoming power supply according to all local, state, and national codes. Use UL approved connectors only. Utilize wiring legend shown above.
- Insert the power cable into the wire strain relief, and push the wire strain relief into the canopy until it clicks into place.

B. Level the Assembly



- Make final adjustments of cables if needed, ensuring fixture is level.
- Fixture installation is now complete.