

PGN23-Shapes Installation Instructions

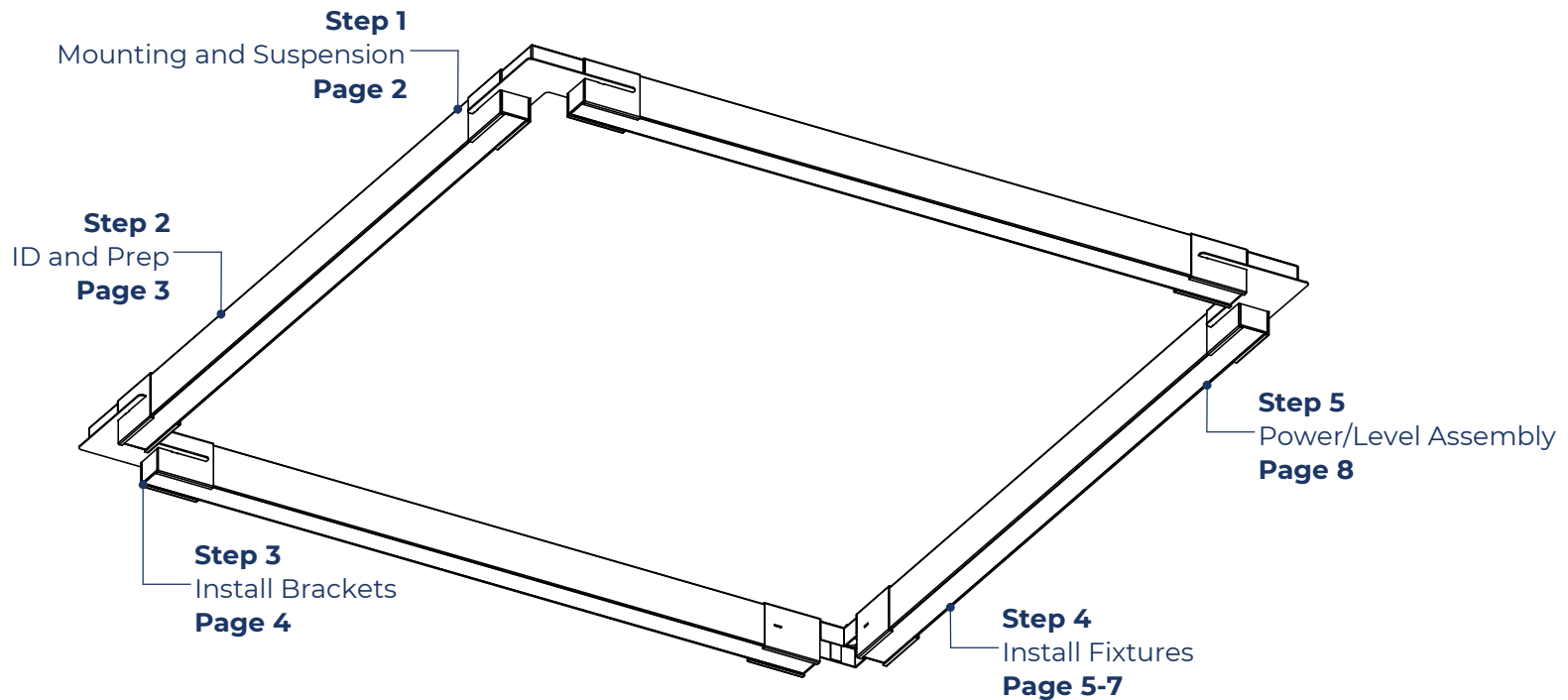
Overview



MOBERN
LIGHTING

WARNINGS

- This product must be installed in accordance with all applicable codes by a person familiar with the product.
- Each fixture must be **properly supported** during install.
- **DO NOT** join fixtures on the floor prior to lifting, or damage will occur.
- **Before beginning installation**, review our complete list of warnings by visiting www.saylite.com/warnings.



Form MCM - MOB-PGN23-S, V1, 09/20

Your particular build may vary.

2020© Mobern Lighting Company | 8200 Stayton Dr., Suite 500, Jessup, MD 20794 | www.mobern.com

PGN23-Shapes Installation Instructions

Step 1 - Mounting and Suspension



MOBERN
LIGHTING

Mounting

Drywall or other hard surfaces - HC 912 Hanging Kit*

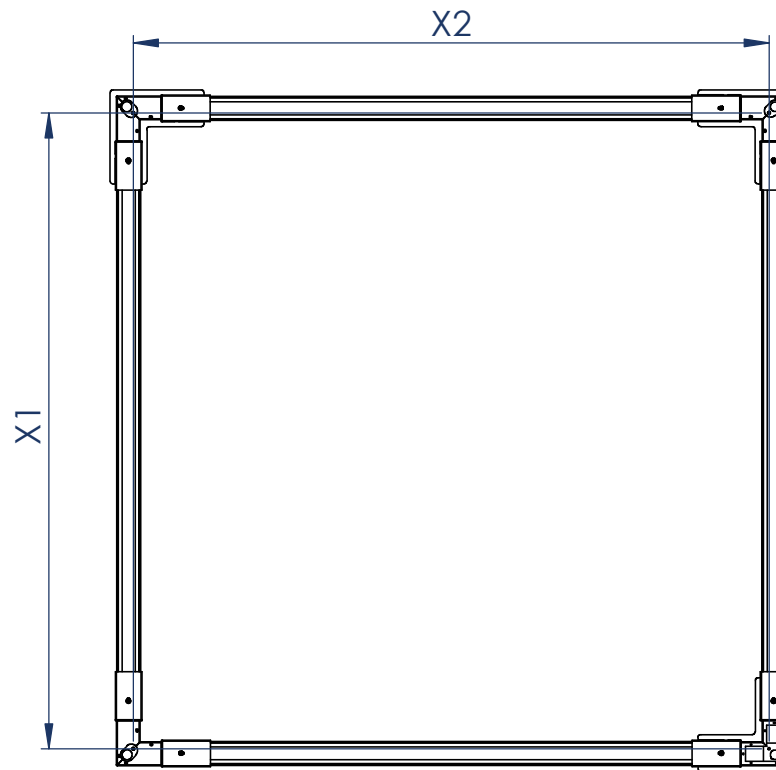
- Install hanging kits at suspension locations.
- Ensure hanging kits are secure.
- Prepare fixture for mounting.

Other hard surfaces include: wood, sheet metal panels, steel beams, concrete or masonry. Use hardware appropriate for each surface and material type.

Suspension Locations

X = Suspension Dimensions

Refer to Assembly Drawings and building plans to determine exact mounting, suspension points, and power feed locations.

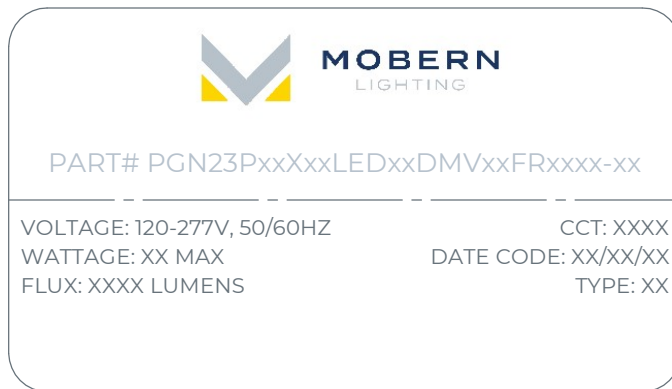


PGN23-Shapes Installation Instructions

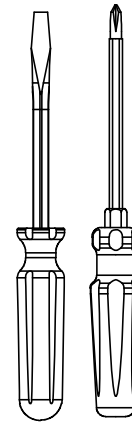
Step 2 - Identification and Preparation



A. Identify Fixtures



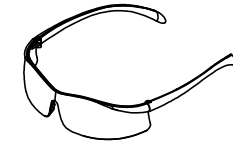
B. Tools Needed



Screwdrivers



Pliers



Safety Glasses

- Use labels found on the box and inside the fixture bodies to identify bodies.
- **NOTE:** Locations of labels can vary.
- Remove all fixtures from their boxes.
- Organize fixtures based on their labels at the install location.

- Always use proper safety equipment when installing fixtures.
- Tools shown are recommended for standard install. Tools needed may vary based on actual install location conditions.

Kitted Hardware

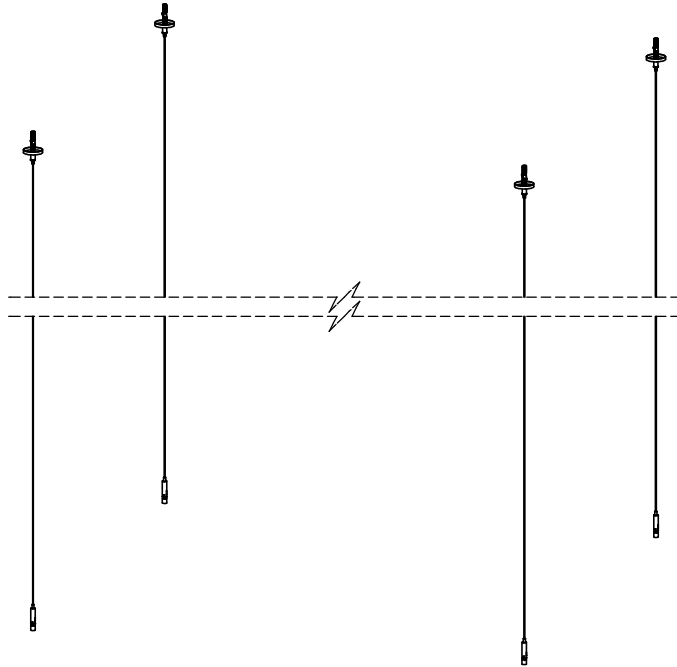
- Saylite has provided the items listed here, with their Saylite part numbers listed. These items can be found in separate boxes shipped with the fixture.
- Ensure all parts are accounted for and set them aside until needed.
- Any additional hardware needed for this installation will be provided by others.

PGN23-Shapes Installation Instructions

Step 3 - Install the Brackets



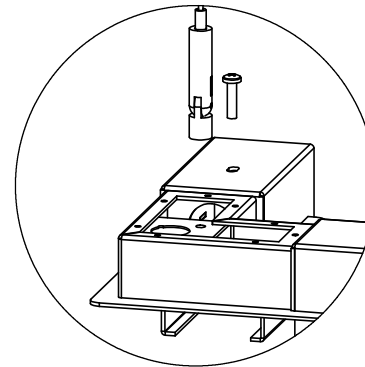
A. Install the Hanging Kits



- Install the hanging kits to the ceiling at desired mounting locations.
- Ensure hanging kits are properly secured.
- Refer to hanging kit installation guide for more information.

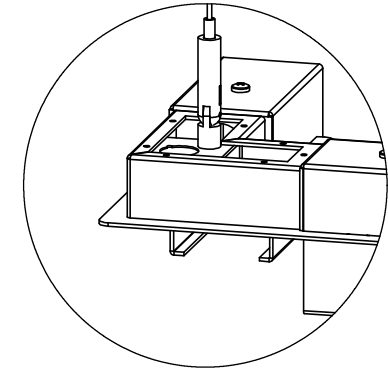
B. Attach Brackets

THREAD ONTO STUD



DETAIL A
SCALE 1 : 4

ATTACHED



DETAIL B
SCALE 1 : 4

- Attach the PLY23 brackets to the hanging cable swivels by threading the swivels onto the bracket studs.
- Use pliers to tighten swivel 1/4 turn.

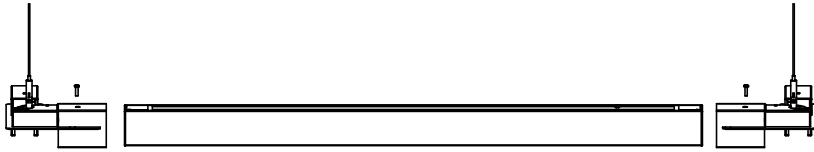
PGN23-Shapes Installation Instructions

Step 4 - Install the Fixtures



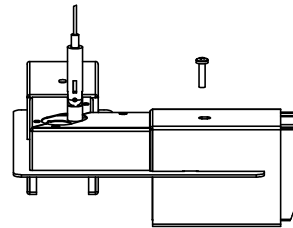
MOBERN
LIGHTING

A. Install to Brackets

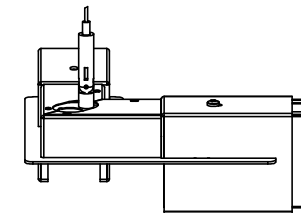


- Insert the first fixture to the hanging brackets one end at a time.
- Slide the fixture back into the bracket until it stops.
- Be sure to pull any needed wiring or fixture connectors thru the inner hole of the brackets.

B. Secure to Brackets



DETAIL A
SCALE 1 : 6



SECURED

DETAIL B
SCALE 1 : 6

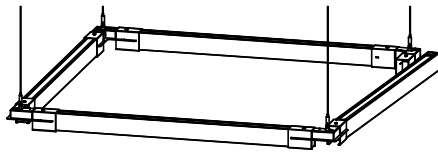
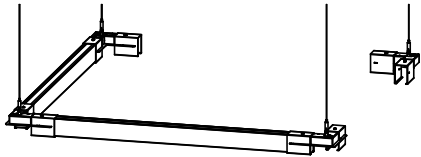
- Once the fixture has been inserted into the brackets, use the provided M5-0.8 x 25 machine screws to secure the fixture to the brackets.
- Use a Philip's head screwdriver to tighten the screws and ensure the fixture is secure.

PGN23-Shapes Installation Instructions

Step 4 - Install the Fixtures (Cont'd)

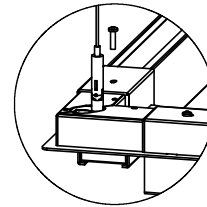


A. Insert Joiner Fixture(s)

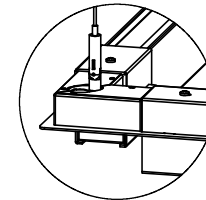


- Insert the next fixture to the hanging brackets one end at a time.
- Slide the fixture back into the bracket until it stops.
- Be sure to pull any needed wiring or fixture connectors thru the inner hole of the brackets.

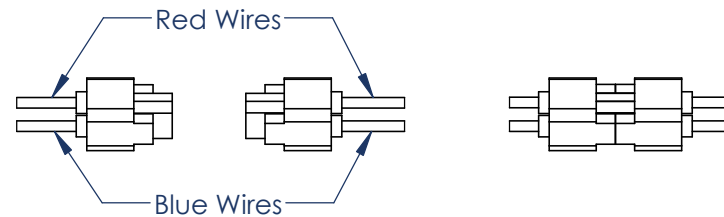
B. Secure Fixture(s) and Join Connectors



DETAIL A
SCALE 1 : 8



DETAIL B
SCALE 1 : 8



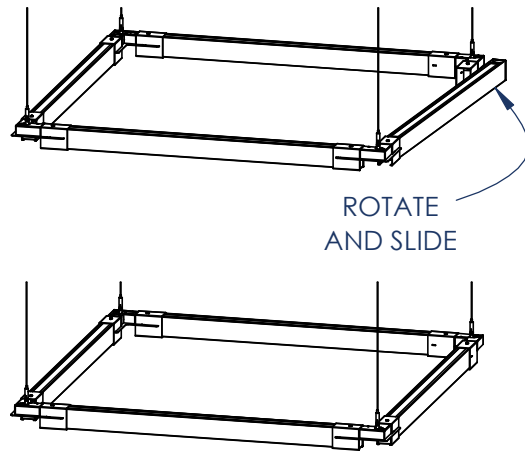
- Join the connectors between adjacent fixtures by bypassing the connectors together until a 'click' is heard.
- Ensure the connectors are aligned with the red wire connecting to red wire and the blue wire connecting to blue wire.
- Depending on upright and downlight options, two sets of connectors may need to be joined.

PGN23-Shapes Installation Instructions

Step 4 - Install the Fixtures (Cont'd)



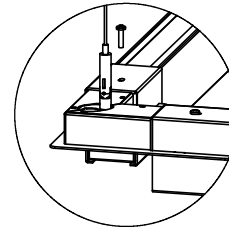
A. Insert Final Fixture*



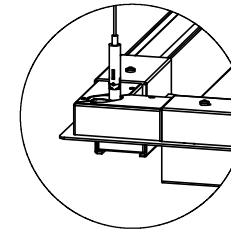
ROTATE
AND SLIDE

- *NOTE: This applies to closed shape configurations such as TR, SQ, PT, HX, OT, and some custom patterns. Gently flex the assembly outward, then rotate and slide the final fixture into place. This may require loosening the screws securing other fixtures.
- For all other configurations, slide the fixture into the bracket until it stops.
- Be sure to pull any needed wiring or fixture connectors thru the inner hole of the brackets.

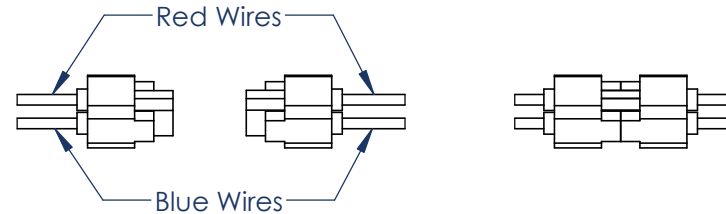
B. Secure Fixture and Join Connectors



DETAIL A
SCALE 1 : 8



DETAIL B
SCALE 1 : 8



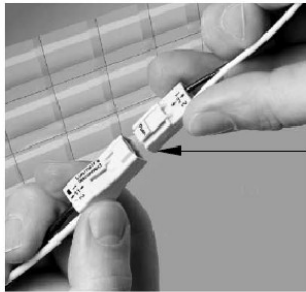
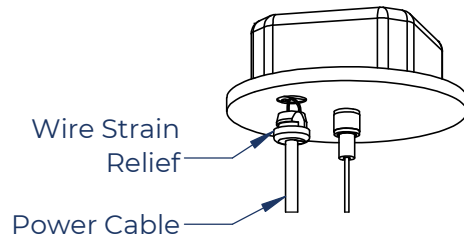
- Join the connectors between adjacent fixtures by pressing the connectors together until a 'click' is heard.
- Ensure the connectors are aligned with the red wire connecting to red wire and the blue wire connecting to blue wire.
- Depending on uplight and downlight options, two sets of connectors may need to be joined.

PGN23-Shapes Installation Instructions

Step 5 - Power and Level the Assembly



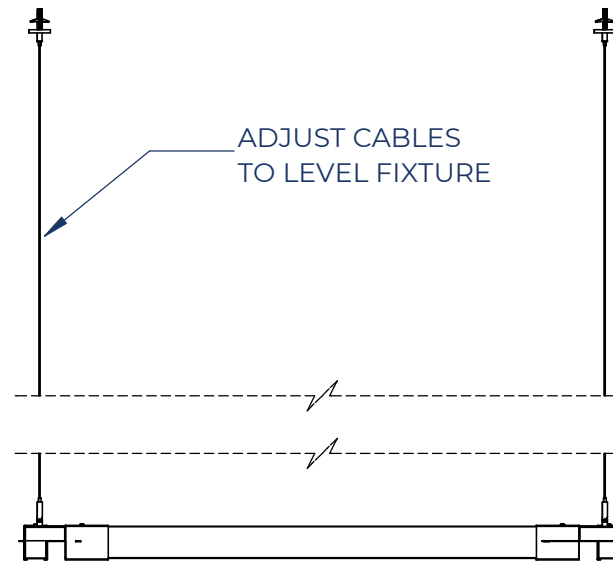
A. Wire the Assembly



| WIRING LEGEND | | |
|---------------|---------|--------------|
| BLACK | HOT | Line Voltage |
| WHITE | NEUTRAL | Line Voltage |
| GREEN | GROUND | |
| GRAY | DIMMING | 0-10V DC |
| VIOLET | DIMMING | 0-10V DC |

- Wire fixtures to the incoming power supply using the provided quick disconnect clip as shown. For dimming option, refer to wiring legend above.
- Use UL approved connectors only. Follow all local, state and national codes.
- After connecting the fixture wiring, secure the power cable to the canopy.
- Insert the power cable into the wire strain relief, and push the wire strain relief into the canopy until it clicks into place.

B. Level the Assembly



- Make final adjustments of cables, ensuring fixture is level.
- Fixture install is now complete.