



JOB NAME:

CAT#:

TYPE:

### APPLICATIONS

Functionality is the key focus for Mobern's simply designed Acoustic Box series. The Box Drum takes us back to the basics with a modern square design- fit for any design aesthetic. Stifle reverberating sounds by placing this light box in singular spaces or arrange in a pattern in larger areas for a more intricate design. The simplicity of this fixture encourages designers to play with color and scale- the Box drum is available in two sizes (25X25, 50X50), and over 30 colors. This series is an optimal solution for schools, offices, and other high traffic areas where both sound reduction and a minimalist design are desired.

### FEATURES & BENEFITS

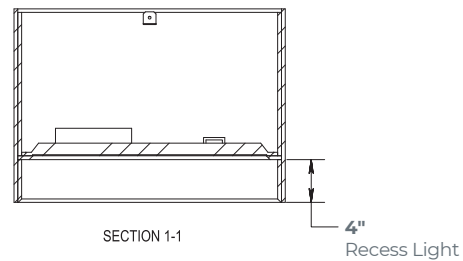
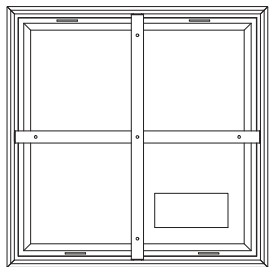
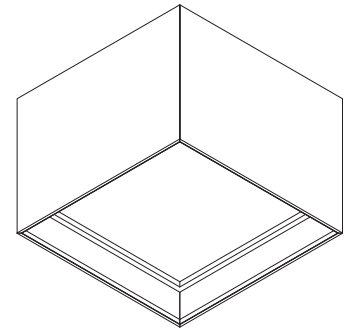
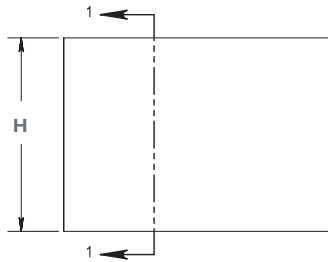
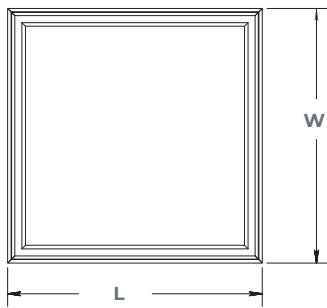
- 2 standard sizes – 25x25, 50x50
- 30+ acoustic material color options available
- 6' pendant mount hanging kit accommodates most ceiling types
- ASTM E84 Class A or B Flammability Rating
- CRI >80
- >50,000 hrs of L70 LED life
- 0-10 Volt dimmable 120-277V
- Power factor >0.90
- 5 year warranty



### DIMENSIONS

Part	L	W	H
ASD25x25	25"	25"	12"
ASD50x50	50"	50"	12"

L = Length  
W = Width  
H = Height



Dimensions and specifications subject to change without notice.





JOB NAME:

CAT#:

TYPE:

**ORDERING**

EXAMPLE: ASD P 25X25 LED 30 DMV MCT A53

ASD	P			LED					
1. SERIES	2. MOUNTING	3. WIDTHXLENGTH		4. GEAR	5. WATTAGE/LUMENS	6. DRIVER		7. COLOR TEMP	
<b>ASD</b>	<b>P</b> Pendant	<b>25X25</b>	24"W x 24"L	<b>LED</b>	<u>24x24 in.</u>	<b>DMV</b> 120-277V Multivolt 0-10V Dimmable	<u>24x24 in</u>		
		<b>50X50</b>	48"W x 48"L		<b>20</b> 20 Watts 2200 Lumens		<b>MCT</b> Multiple Color Temperature 3500K, 4000K, 5000K on a 3-Positions switch		
					<b>30</b> 30 Watts 3300 Lumens (default)				
					<b>40</b> 40 Watts 4400 Lumens				
					<u>48x48 in</u>		<u>48x48 in</u>		
					<b>85</b> 85 Watts 8000 Lumens		<b>30</b>	3000K	
							<b>35</b>	3500K	
							<b>40</b>	4000K	
							<b>50</b>	5000K	

8. FLAIR <sup>1</sup>		9. MATERIAL CLASS	
<b>A53</b>	Lava	<b>Blank</b>	Class B
<b>A50</b>	Caramel	<b>A</b>	Class A
<b>A48</b>	Avocado		

**Notes:**  
<sup>1</sup> Personalize your fixture by choosing a standard color for your acoustic material

Dimensions and specifications subject to change without notice.



JOB NAME:

CAT#:

TYPE:

**ACOUSTIC MATERIAL COLOR OPTIONS**



07 - White



44 - Ivory



42 - Cream



52 - Latte



02 - Taupe



53 - Smoky  
Beige



09 - Deep  
Blue



21 - Indigo  
Blue



19 - Denim



56 - Azure



30 - Blue



18 - Arctic Ice



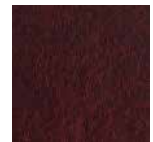
54 - Espresso



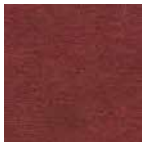
49 - Brunette



35 - Speckled  
Earth



43 - Lava



36 - Berry



45 - Big Red



55 - Tangerine



41 - Marigold



50 - Caramel



51 - Sunkist  
Orange



22 - Yellow



10 - True  
Black



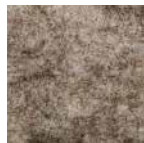
17- Dark  
Gray



11 - Steel



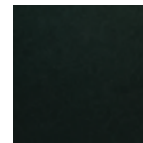
34 - Pure  
Gray



06-12-City  
Brown



03-12-  
Light Gray



47 - Emerald



05 - Dark  
Green



12 - Moss



39 - Green  
Apple



48 - Avocado



08 - Eggplant

Dimensions and specifications subject to change without notice.