

# ATD Installation Instructions

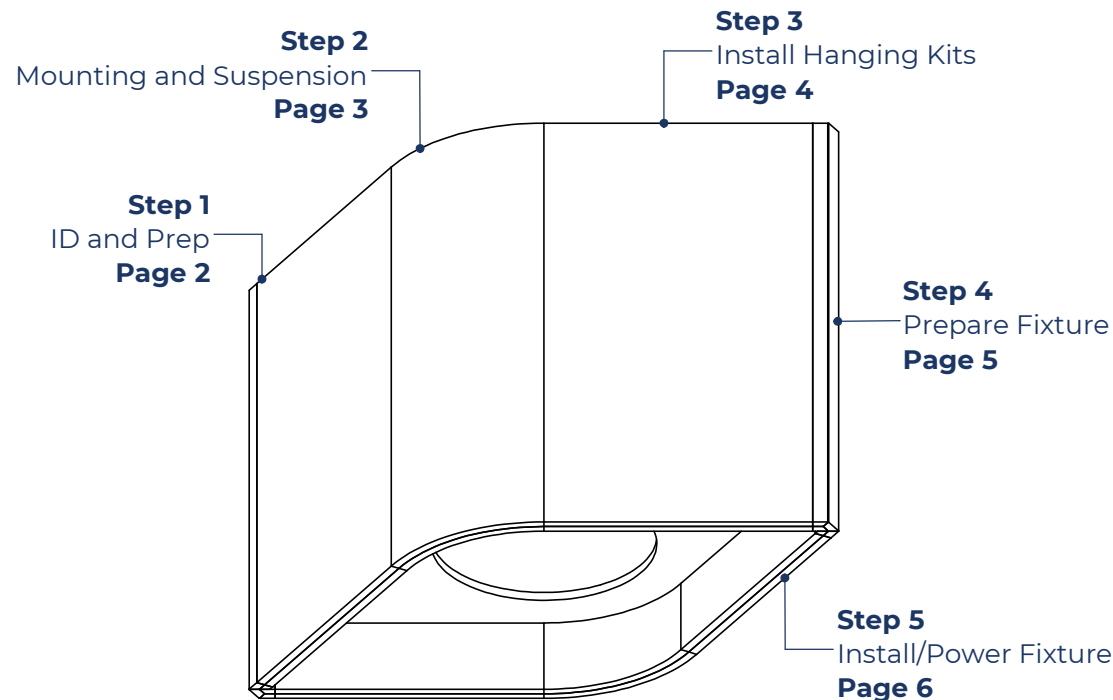
## Overview



**MOBERN**  
LIGHTING

### WARNINGS

- This product must be installed in accordance with all applicable codes by a person familiar with the product.
- Each fixture must be **properly supported** during install.
- **DO NOT** join fixtures on the floor prior to lifting, or damage will occur.
- **Before beginning installation**, review our complete list of warnings by visiting [www.mobern.com/warnings](http://www.mobern.com/warnings).



Form MCM - MOB-ATD, V1, 11/20

Your particular build may vary.

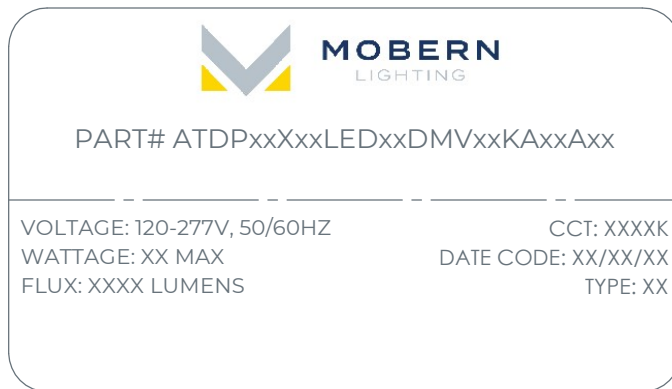
2020© Mobern Lighting Company | 8200 Stayton Dr., Suite 500, Jessup, MD 20794 | [www.mobern.com](http://www.mobern.com)

# ATD Installation Instructions

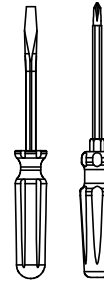
## Step 1 - Identification and Preparation



### A. Identify Fixtures



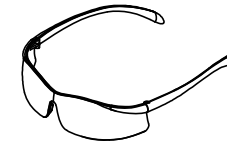
### B. Tools Needed



Screwdrivers



Pliers



Safety Glasses

- Use labels found on the box and inside the fixture bodies to identify bodies.
- **NOTE:** Locations of labels can vary.
- Remove all fixtures from their boxes.
- Organize fixtures based on their labels at the install location.

- Always use proper safety equipment when installing fixtures.
- Tools shown are recommended for standard install. Tools needed may vary based on actual install location conditions.

#### Kitted Hardware

- Mobern has provided the items listed here, with their Saylite part numbers listed. These items can be found in separate boxes shipped with the fixture.
- Ensure all parts are accounted for and set them aside until needed.
- Any additional hardware needed for this installation will be provided by others.

# ATD Installation Instructions

## Step 2 - Mounting and Suspension



### Mounting

#### Drywall or other hard surfaces - HC 801 Hanging Kit\*

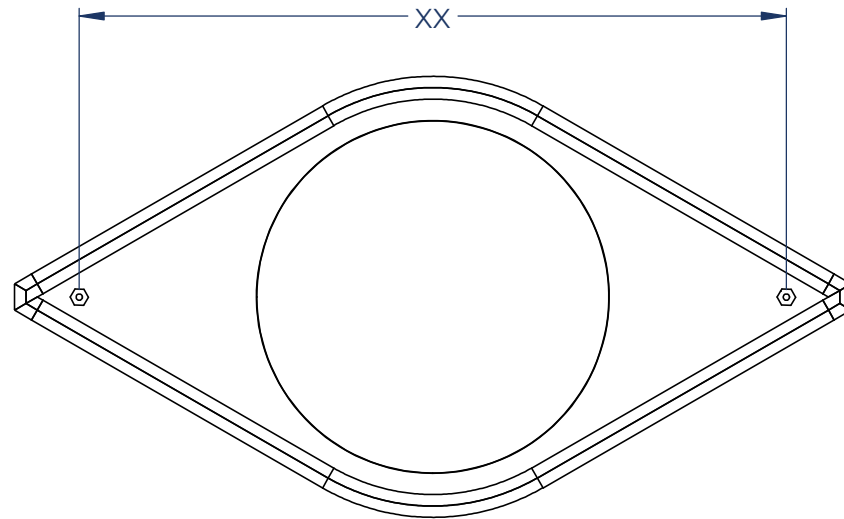
- Install hanging kits at suspension locations.
- Ensure hanging kits are secure.
- Prepare fixture for mounting.

Other hard surfaces include: wood, sheet metal panels, steel beams, concrete or masonry. Use hardware appropriate for each surface and material type.

### Suspension Locations

**X** = Suspension Dimensions

Refer to Assembly Drawings and building plans to determine exact mounting, suspension points, and power feed locations.

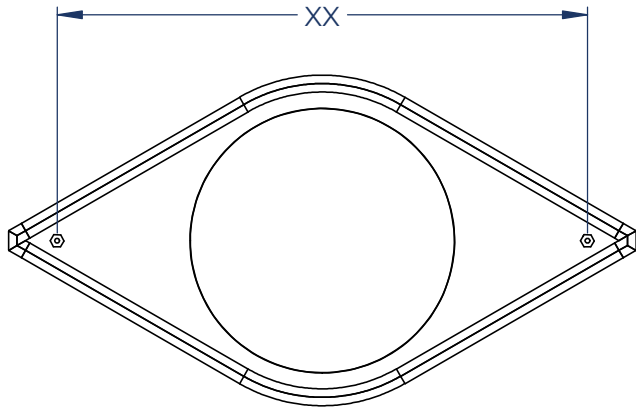


# ATD Installation Instructions

## Step 3 - Install Hanging Kits

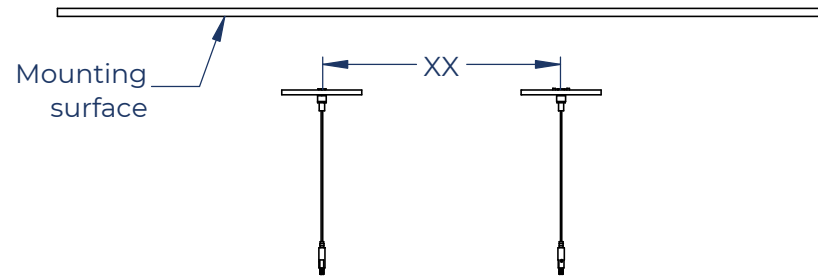


### A. Transfer Measurements



- Note the distance between hanging kit attachment points on the acoustic material.
- Transfer the measurement to the desired mounting location.

### B. Install Hanging Kits

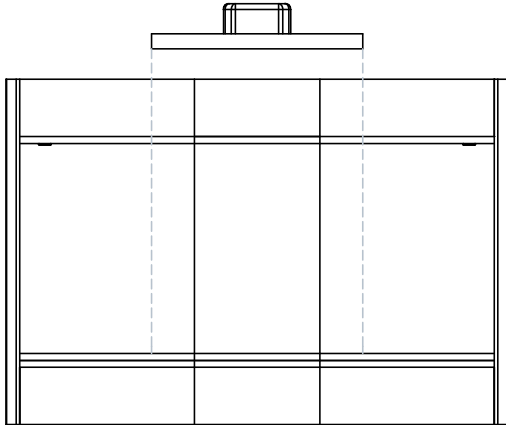


- Prepare the desired mounting location for hanging kit installation.
- Install the hanging kits to the ceiling at the desired mounting locations.
- Ensure that hanging kits are properly secured.
- Refer to hanging kit installation guide for more information.

# ATD Installation Instructions

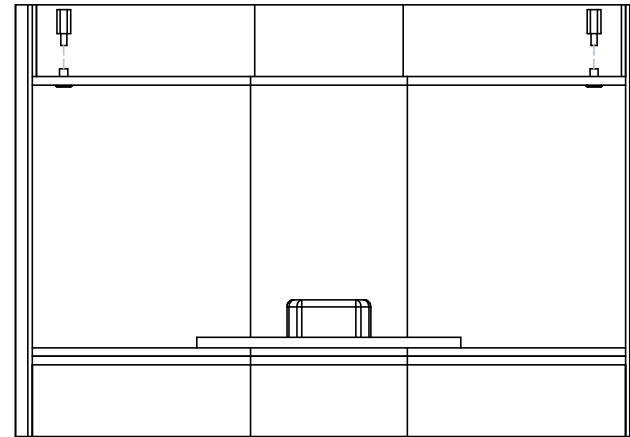
## Step 4 - Prepare the Fixture

### A. Lay In LED Fixture



- Lay the LED fixture into the acoustic structure, ensuring the lens is facing down.
- The outer flange of the fixture should rest on the inner support of the acoustic structure.

### B. Install Threaded Adaptors



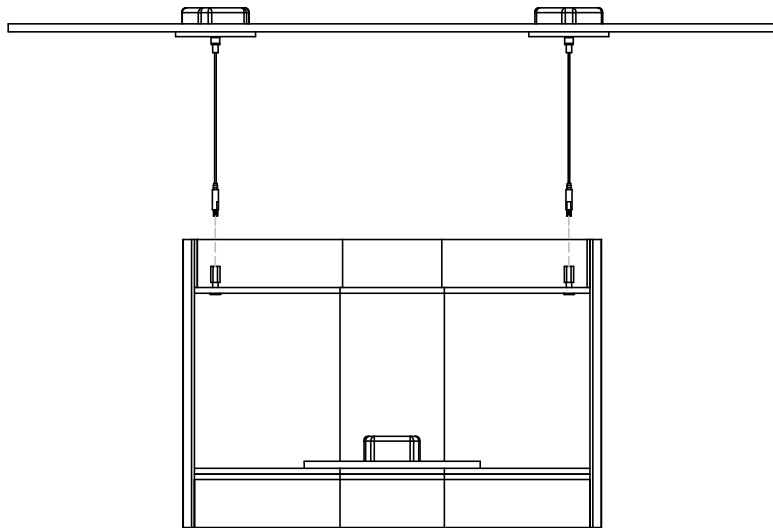
- Install the hanging kit adaptors to the threaded T nuts in the acoustic fixture.

# ATD Installation Instructions

## Step 5 - Hang and Power Fixture

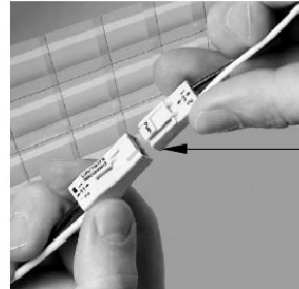


### A. Hang the Fixture



- Hang the fixture by inserting the threaded end of the hanging cables into the adaptors.
- Tighten the threaded ends 1/4 turn using a pair of pliers or equivalent.

### B. Power the Fixture



WIRING LEGEND		
BLACK	HOT	Line Voltage
WHITE	NEUTRAL	Line Voltage
GREEN	GROUND	
GRAY	DIMMING	0-10V DC
VIOLET	DIMMING	0-10V DC

- Wire fixtures to the incoming power supply using the provided quick disconnect clip as shown.
- For dimming option, refer to wiring legend above.
- Use UL approved connectors only. Follow all local, state and national codes.
- Installation is now complete.