



JOB NAME:

CAT#:

TYPE:

APPLICATIONS

The RDIS LED is a specification grade, Volumetric Recessed LED Luminaire which provides smooth and uniform ambient lighting for all commercial and industrial buildings with recessed configurations. Reflected light from matte surfaces provide a softened appearance to the modern office environment.

Housing is die-formed and embossed code 22 gauge steel. Luminaire body finish is high reflectance baked white enamel, with matte white reflectors. Wiring knockouts are provided on the back of housing. Earthquake clips are standard. Center diffuser snaps into place; no tools are required for removal. Listed by and bears ETL label.

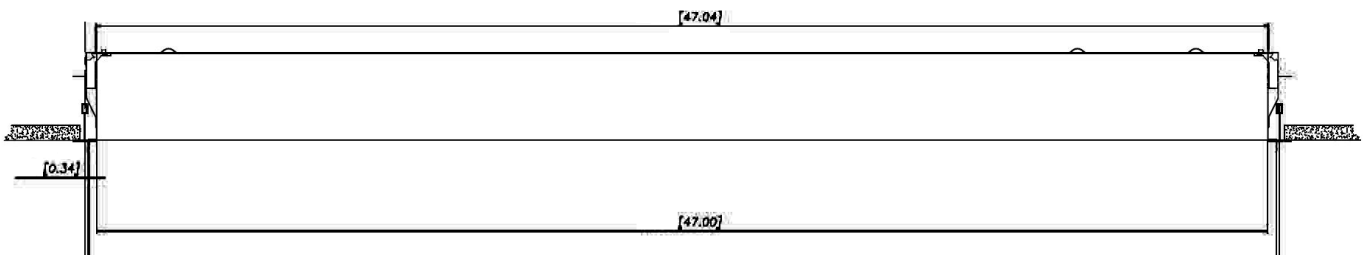
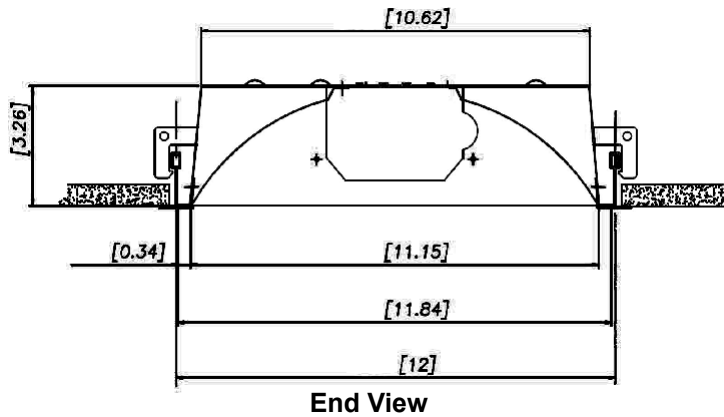


FEATURES & BENEFITS

- Volumetric recessed luminaire provides a low glare light source
- Matte white reflective surface for soft, uniform light distribution
- Multiple diffuser options available
- Min CRI 82
- IC Rated
- Easy access plate for quick wiring
- _CETL_{US} listed for damp locations up to 67 watts
- DLC listed on certain models
- 5 year warranty

DIMENSIONS

1x4





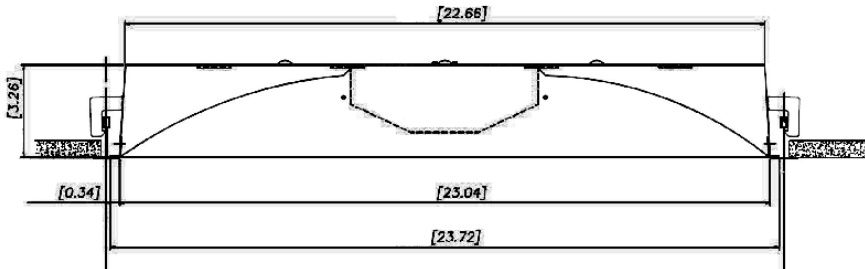
JOB NAME:

CAT#:

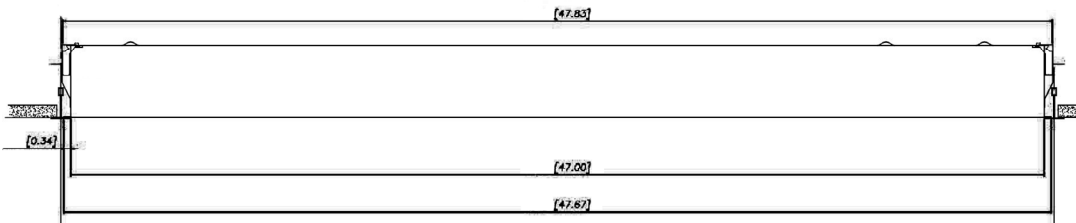
TYPE:

DIMENSIONS

2x4

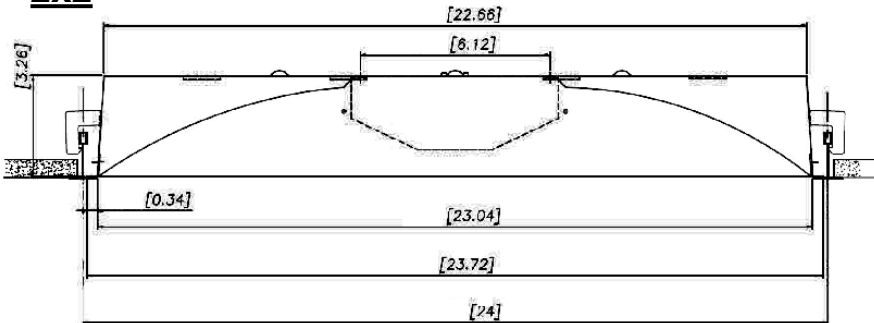


End View

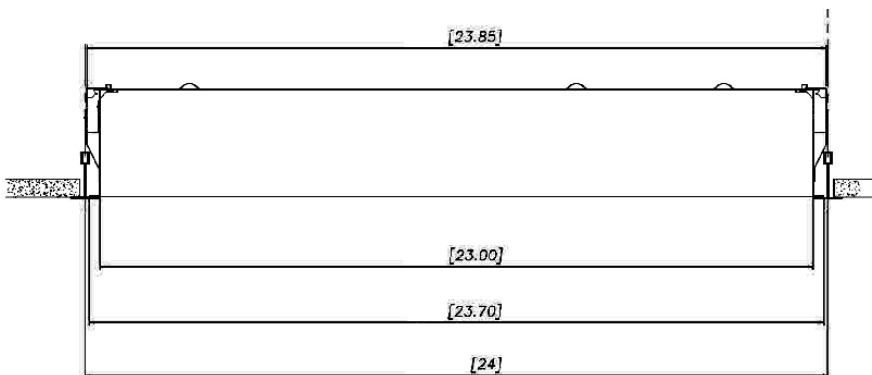


Side View

2x2



End View



Side View





JOB NAME:

CAT#:

TYPE:

ORDERING

EXAMPLE: REDIS 14 LED 28 DMV FR 30 EM SS WP

REDIS		LED								
1. SERIES	2. SIZE	3. GEAR	4. WATTAGE/LUMENS		5. DRIVER		6. LENS/BASKET		7. COLOR TEMP	
REDIS	14 1x4 Nominal	LED	1x4		DMV 120-277V Multivolt 0-10V Dimmable	FR Frosted PF Perforated Basket w/ inlay	30 3000K 35 3500K 40 4000K 50 5000K			
	22 2x2 Nominal		15 15 Watts 1950 Lumens	20 20 Watts 2600 Lumens				SDMV Step dimming Multivolt		
	24 2x4 Nominal		20 20 Watts 2600 Lumens	25 25 Watts 3250 Lumens					D347 347VAC 0-10V Dimming	
			25 25 Watts 3250 Lumens	30 30 Watts 4320 Lumens	TDMV Triac Dimming 120-277VAC					
			30 30 Watts 4320 Lumens	35 35 Watts 5040 Lumens		D120 Triac Dimming 120VAC				
			35 35 Watts 5040 Lumens	40 40 Watts 5760 Lumens			D277 Triac Dimming 277VAC			
			40 40 Watts 5760 Lumens	45 45 Watts 6480 Lumens						
			45 45 Watts 6480 Lumens	50 50 Watts 7200 Lumens						
			50 50 Watts 7200 Lumens	54 54 Watts 7780 Lumens						
				2x4						
				20 20 Watts 2880 Lumens	25 25 Watts 3600 Lumens					
				25 25 Watts 3600 Lumens	30 30 Watts 4320 Lumens					
				30 30 Watts 4320 Lumens	35 35 Watts 5040 Lumens					
				35 35 Watts 5040 Lumens	40 40 Watts 5760 Lumens					
				40 40 Watts 5760 Lumens	45 45 Watts 6480 Lumens					
		45 45 Watts 6480 Lumens	50 50 Watts 7200 Lumens							
		50 50 Watts 7200 Lumens	54 54 Watts 7780 Lumens							
			2x2							
		15 15 Watts 1950 Lumens	20 20 Watts 2600 Lumens							
		20 20 Watts 2600 Lumens	25 25 Watts 3250 Lumens							
		25 25 Watts 3250 Lumens	30 30 Watts 4320 Lumens							
		30 30 Watts 4320 Lumens	33 33 Watts 4290 Lumens							

8. EMERGENCY (O) ¹		9. SENSOR (O) ¹		10. CORD (O) ¹	
EM	Emergency Battery Pack 10W ~ 1700 Lumens	SS	Integrated Sensor	WP	6' 3 Wire Flexible Conduit
EM7	Emergency Battery Pack 7W ~ 1300 Lumens				
EM5	Emergency Battery Pack 5W ~ 850 Lumens				

Notes:
¹(O) is optional

NOTE: Values shown are typical or recorded under standardized conditions at 25°C. Actual performance may vary based on environment or application. Specifications are subject to change without notice. We reserve the right to change design, materials, LED's and finish in any way that will not alter installed appearance or reduce function and performance.





JOB NAME:

CAT#:

TYPE:

PHOTOMETRICS

REDIS22-LEDDMVFR

Spacing Criterion (0-180) 1.
Spacing Criterion (90-270) 1.

COEFFICIENTS OF UTILIZATION - ZONAL CAVITY METHOD

Effective Floor Cavity Reflectance 0.20

RC	80				70				50			30			10			0	
	RW	70	50	30	10	70	50	30	10	50	30	10	50	30	10	50	30	10	0
0	119	119	119	119	116	116	116	116	111	111	111	106	106	106	102	102	102	100	100
1	108	103	99	95	106	101	97	93	97	94	91	93	90	88	89	87	85	83	83
2	98	90	83	77	96	88	81	76	84	79	74	81	76	72	78	74	71	69	69
3	89	79	70	63	87	77	69	63	74	67	62	71	65	61	69	64	60	57	57
4	82	69	60	54	79	68	60	53	66	58	52	63	57	52	61	55	51	49	49
5	75	62	53	46	73	61	52	46	59	51	45	57	50	45	55	49	44	42	42
6	69	56	47	40	67	55	46	40	53	45	39	51	44	39	50	43	39	37	37
7	64	50	41	35	62	50	41	35	48	40	35	47	40	35	45	39	34	32	32
8	60	46	37	31	58	45	37	31	44	36	31	43	36	31	41	35	31	29	29
9	56	42	34	28	54	42	34	28	40	33	28	39	33	28	38	32	28	26	26
10	52	39	31	26	51	38	31	25	37	30	25	36	30	25	35	29	25	23	23

