



JOB NAME:

CAT#:

TYPE:

APPLICATIONS

The Mobern BFP back lit LED flat panel is a cleanly designed, high brightness lighting panel, made with high performance LED chips. Three color temperatures and three wattages are offered with each fixture. This panel is ideal for replacing traditional recessed fluorescent fixtures and is simple to fit and install. The BFP is a perfect choice for many applications including commercial, industrial, healthcare, hospitality and many more.

FEATURES & BENEFITS

- Eliminates quality issues with the lens on edge-lit flat panels
- Back-lit LED's evenly illuminate the entire surface of panel with soft, uniform light
- 1x4, 2x2 default wattage is 40W but includes 20W, 30W, & 40W (adjustable in field)
- 2x4 default wattage is 50W but includes 30W, 40W, & 50W (adjustable in field)
- Min CRI 82
- Operating Temperature: -25°C to 40°C (-10°C to 40°C with emergency)
- Beam angle 120°
- 5 Year Warranty
- PF > 0.90
- UL listed



Back View



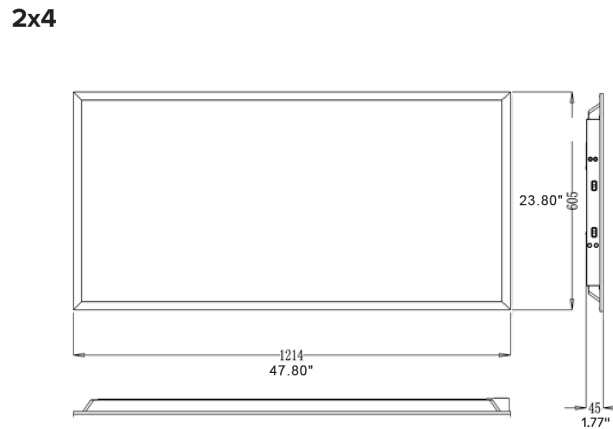
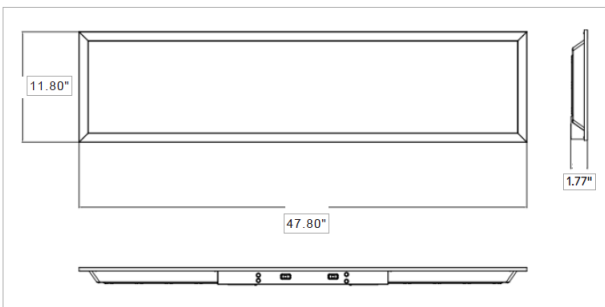
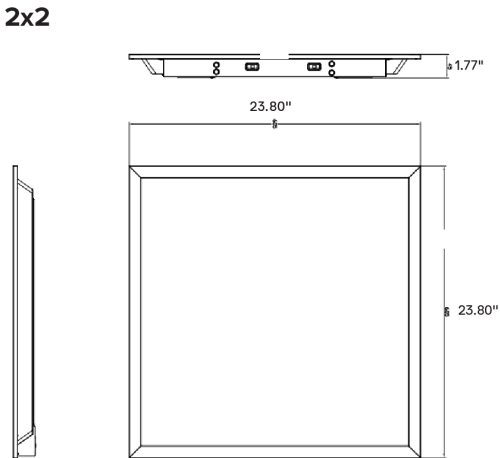
1x4



DIMENSIONS

DIMENSIONS IN INCHES:

- 1x4 - 11.80"W x 47.80"L x 1.77"H (height with driver)
- 2x2 - 23.78"W x 23.78"L x 1.77"H (height with driver)
- 2x4 - 23.78"W x 47.80"L x 1.77"H (height with driver)



Dimensions and specifications subject to change without notice.





JOB NAME:

CAT#:

TYPE:

ORDERING

EXAMPLE: BFP 22 LED 30MW DMV MCT

| BFP | | | DMV | MCT |
|-----------------------------------|-----------|--|----------------------------------|---|
| 1. SERIES | 2. SIZE | 3. WATTAGE/LUMENS | 4. DRIVER | 5. COLOR TEMP |
| BFP LED Back-lit Flat Panel | 14L 1 x 4 | 40M4400L Multi Wattage (40W Default) 20 Watts 2200 Lumens 30 Watts 3300 Lumens 40 Watts 4400 Lumens on a 3 positions switch <u>2 x 2 only</u> Multi Wattage (40W Default) 20 Watts 2200 Lumens 30 Watts 3300 Lumens 40 Watts 4400 Lumens on a 3 positions switch <u>1 x 4 only</u> Multi Wattage (40W Default) 20 Watts 2200 Lumens 30 Watts 3300 Lumens 40 Watts 4400 Lumens on a 3 positions switch | DMV 120-277VAC 0-10V Dimmable | MCT4 Multi Color Temp 3000K, 3500K, 4000K, 5000K on a 4 positions switch |
| | 22L 2 x 2 | | | |
| | 24L 2 x 4 | | | |
| | | 50M5500L Multi Wattage (50W Default) 30 Watts 3300 Lumens 40 Watts 4400 Lumens 50 Watts 5500 Lumens on a 3 positions switch <u>2 x 4 only</u> | | |

| 6. EMERGENCY (O) | 7. ACCESSORIES (O) |
|--|------------------------------|
| EM7 7W 90mins Emergency battery backup | SMKT24 2X4 Surface mount kit |
| EM12 12W 90mins Emergency battery backup | SMKT22 2X2 Surface mount kit |
| EM14 14W 90mins Emergency battery backup | SMKT14 1X4 Surface mount kit |
| EM20 20W 90mins Emergency battery backup | |

NOTES:
¹O is optional

Dimensions and specifications subject to change without notice.

