



JOB NAME:

CAT#:

TYPE:

APPLICATIONS

Premium quality low profile troffer with an almost limitless range of applications. Ideal for all commercial and industrial buildings requiring general illumination with recessed configurations.

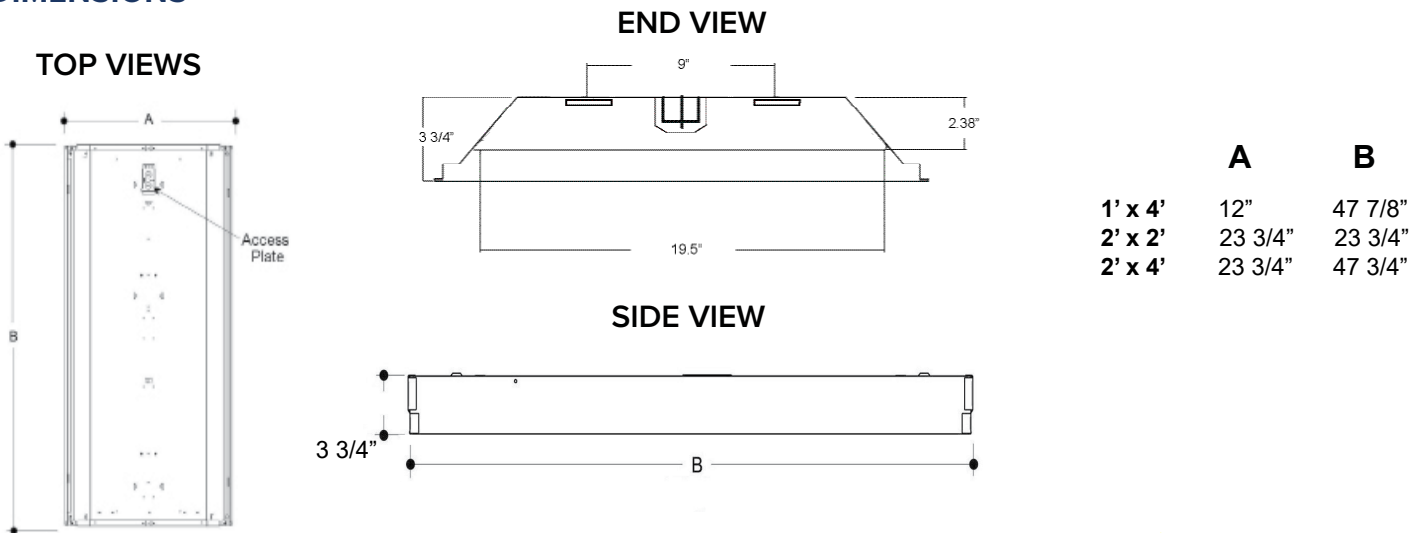
Housing is die-formed and embossed from cold rolled steel. Wiring access plate and knockouts are provided on back of housing allowing for flexible greenfield attachment. Driver cover snaps easily into place eliminating the need for tools when accessing the driver. Prismatic lens is held within a hinged steel frame door. The heavy gauge door frame hinges downward on either side and is held in the closed position by two positive cam latches. Knockouts are provided on ends for continuous wiring.



FEATURES & BENEFITS

- Min CRI 82
- L70 >60,000 hrs
- IC Rated
- Corrosion and scratch resistant
- Smooth edges for easy handling
- Ends are secured by snap-in interlocking system
- .100 acrylic prismatic lens is standard
- Exclusive "Light Lock" frame reduces light leaks
- Flush steel door with rotary action cam latches and hinges from either side
- Easy access plate for quick wiring
- Equipped with Integral Earthquake Clips
- cETL_{us} listed for damp locations up to 95 watts

DIMENSIONS





JOB NAME:

CAT#:

TYPE:

ORDERING

EXAMPLE: RG 14 LED 22 DMV 30 EM SSM

RG		LED				
1. SERIES	2. SIZE	3. GEAR	4. WATTAGE/LUMENS*	5. DRIVER	6. LENS	7. COLOR TEMP
RG	14 1X4	LED	1x4 Standard	DMV 120-277V Multivolt 0-10V Dimmable	Blank A12 .100 thick lens	30 3000K
LED Grid	22 2x2		15 15 Watts 2100 Lumens	SDMV Step dimming Multivolt	125 A12 .125 thick lens	35 3500K
	24 2x4		25 25 Watts 3450 Lumens	D347 347VAC 0-10V Dimming	156 A19 .156 thick lens	40 4000K
			30 30 Watts 4100 Lumens	D120 Triac Dimming 120VAC	CL Clear .100 thick lens	50 5000K
			35 35 Watts 4800 Lumens	D277 Triac Dimming 277VAC	CL125 Clear .125 thick lens	
			45 45 Watts 6100 Lumens		SW Smooth White .100 thick lens	
			54 54 Watts 7300 Lumens		S5² Specular Parabolic Louver (1/2"x1/2"x3/8")	
			2X2 Standard		S75² Specular Parabolic Louver (3/4"x3/4"x3/8")	
			15 15 Watts 2100 Lumens		S15² Specular Parabolic Louver (1 1/2"x1 1/2"x1")	
			20 20 Watts 2700 Lumens		W5² White Parabolic Louver (1/2"x1/2"x3/8")	
			25 25 Watts 3300 Lumens		NL² No Lens	
			33 33 Watts 4250 Lumens		NFL No Frame and Lens	
			2X4 Standard		FR High Optic Frosted	
			20 20 Watts 3100 Lumens			
			25 25 Watts 4000 Lumens			
			30 30 Watts 4750 Lumens			
			35 35 Watts 5400 Lumens			
			40 40 Watts 6050 Lumens			
			45 45 Watts 6750 Lumens			
			54 54 Watts 7700 Lumens			

*Consult for other wattages or
Triac Dimming options

8. EMERGENCY (O)¹

- EM14** Emergency Battery Pack
14W
- EM12** Emergency Battery Pack
12W
- EM20** Emergency Battery Pack
20W

9. SENSOR (O)¹

- SSM** Microwave Sensor

Notes:

¹(O) is optional

² Consult factory for lead time

NOTE: Values shown are typical or recorded under standardized conditions at 25°C. Actual performance may vary based on environment or application. Specifications are subject to change without notice. We reserve the right to change design, materials, LED's and finish in any way that will not alter installed appearance or reduce function and performance.

