



JOB NAME:

CAT#:

TYPE:

APPLICATIONS

A linear 2x3 fixture for distinctive architectural lighting plans. Ideal for corridors, lobbies and office areas, 2x3 Series fixtures can be installed individually or in a continuous run. Specifically designed for direct lighting with snap-in lens to hide the LED arrays.

FEATURES & BENEFITS

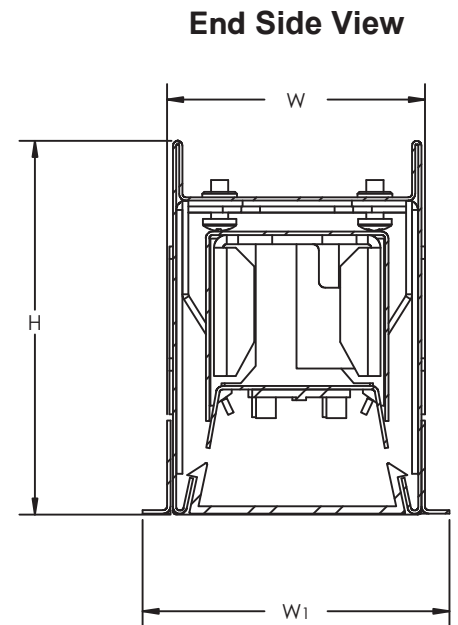
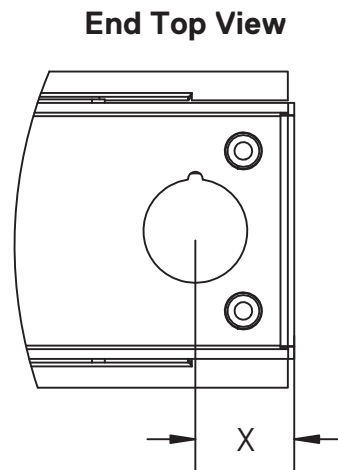
- Available in custom finishes (consult factory)
- IC Rated
- _CETL_{US} listed for damp locations up to 90 watts
- L₇₀ > 50,000 hrs.
- Min CRI 80
- PI3D comes standard (fixture to fixture wiring options for power and dimming)
- 5 year warranty



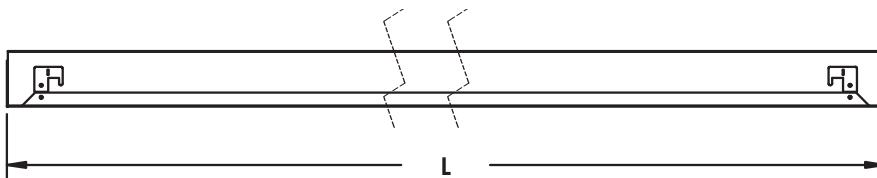
DIMENSIONS

| PART | L | W | W ₁ | H | X |
|---------|--------|-------|----------------|-------|--------|
| L23R24L | 23.45" | 2.00" | 2.47" | 3.08" | 0.773" |
| L23R48L | 47.45" | 2.00" | 2.47" | 3.08" | 0.773" |
| L23R72L | 71.45" | 2.00" | 2.47" | 3.08" | 0.773" |
| L23R96L | 95.45" | 2.00" | 2.47" | 3.08" | 0.773" |

L-Length
W-Width
H-Height
X-Knock Out Distance



L23R Side View



JOB NAME:
CAT#:
TYPE:
ORDERING

EXAMPLE: L23R 24 LED 12 DMV BK SF 30

LED

| 1. SERIES | 2. LENGTH | 3. GEAR | 4. WATTAGE/LUMENS | 5. DRIVER | 6. FINISH |
|--|----------------------------------|---|--|---|--|
| L23R Recess for 1" T-Bar Grid Ceiling | 24 24" | LED | 24 in. | DMV 120-277V Multivolt 0-10V Dimmable SDMV Step dimming Multivolt D120 Triac Dimming 120VAC | BK Black SI Silver WH White |
| | 48 48" | | 8 8 Watts, 900 Lumens | | |
| | 72 72" | | 12 12 Watts, 1300 Lumens | | |
| | 96 96" | | 18 18 Watts, 2000 Lumens | | |
| | | | 23 23 Watts, 2500 Lumens | | |
| | | | 48 in. | | |
| | | | 16 16 Watts, 1800 Lumens | | |
| | | | 24 24 Watts, 2600 Lumens | | |
| | | | 36 36 Watts, 4000 Lumens | | |
| | | | 45 45 Watts, 5000 Lumens | | |
| | | | 72 in. | | |
| | | | 24 24 Watts, 2600 Lumens | | |
| | 36 36 Watts, 4000 Lumens | | | | |
| | 54 54 Watts, 5900 Lumens | | | | |
| | 68 68 Watts, 7500 Lumens | | | | |
| | 96 in. | | | | |
| | 32 32 Watts, 3500 Lumens | | | | |
| | 48 48 Watts, 5300 Lumens | | | | |
| | 72 72 Watts, 7900 Lumens | | | | |
| | 90 90 Watts, 10000 Lumens | | | | |
| 7. LENS | 8. COLOR TEMP | 9. ACCESSORIES (O) ¹ | | 10. CONFIGURATION | |
| SF Snap-in Frosted Acrylic Lens (85% transmission) | 30 3000K | EM Emergency Battery Backup ³ SS Integral Occupancy Sensor SV BI-Level Sensor SD Daylight Harvesting SM Sensor Microwave Sensor | Blank Individual -B Beginner Run -E Ender Run -J Joiner Run | | |
| | 35 3500K | | | | |
| | 40 4000K | | | | |
| | 50 5000K | | | | |

ACCESSORIES

Lumens are subject to a tolerance of $\pm 10\%$ and not relevant to RGB
 Input wattage can vary depending on options
 Dimensions and specifications subject to change without notice.

NOTES:
¹ (O) is optional

NOTE: Values shown are typical or recorded under standardized conditions at 25°C. Actual performance may vary based on environment or application. Specifications are subject to change without notice. We reserve the right to change design, materials, LED's and finish in any way that will not alter installed appearance or reduce function and performance.

