



JOB NAME:

CAT#:

TYPE:

ILLUMINATION

- Ultra bright, energy efficient, long life red or green LEDs
- UV-stabilized ultra-clear acrylic edgelit panel provides consistent, uniform illumination
- Double face utilizes factory installed silver or white mylar background panel

ELECTRICAL

- Dual 120/277 voltage standard
- Charge rate power “ON” LED indicator light and push-to-test switch for mandated code compliance testing
- 4.8V long life, maintenance-free, rechargeable NiCd battery (EM models only)
- Internal solid-state transfer switch automatically connects the internal battery to the lamp heads for minimum 90-minute emergency illumination.
- Fully automatic solid-state, two rate charger initiates battery charging to recharge a discharged battery in 24 hours.



MOUNTING

- Aluminum mounting canopy included for top, end or back mount

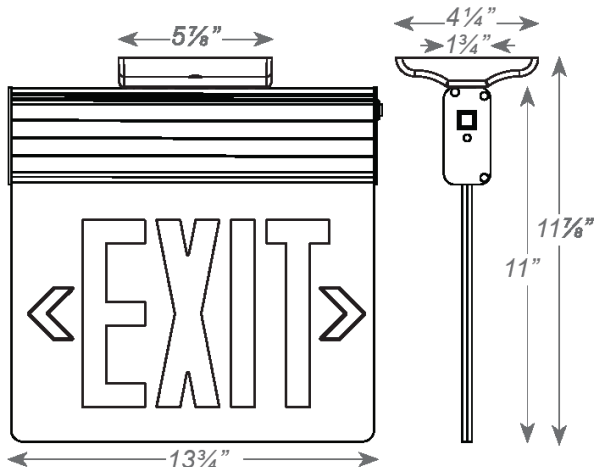
HOUSING

- Premium-grade, extruded aluminum housing (also available in optional black or white powder-coated finishes)
- Self-adhesive chevron appliques and guide template provided for directional indication

WARRANTY/LISTING

- Five year warranty on all electronics and housing. Battery prorated for 5 years
- Meets UL924, NFPA 101 Life Safety Code, NEC, OSHA, Local and State Codes
- UL listed for damp locations (0°C-50°C)
- Certified to CEC under Title 20 regulations

DIMENSIONS



Dimensions and specifications subject to change without notice.





JOB NAME:

CAT#:

TYPE:

ORDERING

EXAMPLE: ELXTEU 2 R W W

ELXTEU

| 1. MODEL | 2. # OF FACES | 3. LETTER COLOR | 4. PANEL | 5. HOUSING COLOR | 6. BATTERY |
|----------|---------------|-----------------|----------------|-----------------------------------|--|
| ELXTEU | 1 | Single Face | R Red | C Clear ¹ | W White |
| | 2 | Double Face | G Green | M Mirror W White | B Black A Aluminum |
| | | | | | (blank) AC Only EM Battery Backup |

| 7. DIAGNOSTICS (O) ² | 8. CIRCUITING (O) ² | 9. VOLTAGE (O) ² | 10. WORDING (O) ² |
|--|--|---|------------------------------|
| SDT Self-Diagnostics ³ | 2C-120 Dual Circuit With 120V Input ⁴ 2C-277 Dual Circuit With 277V Input ⁴ | SPV 208/220/240 Volt, 50/60Hz ⁵ | CUSTOM Custom Wording |

Notes:

¹With single face only

²(O) is optional

³Available only with EM units

⁴Available only with AC units

⁵Not available with SDT

Dimensions and specifications subject to change without notice.

