



JOB NAME:

CAT#:

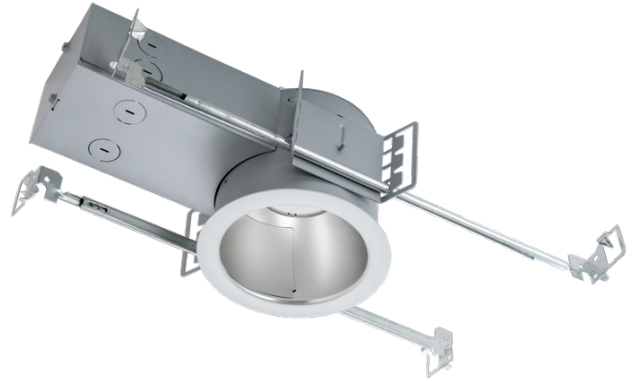
TYPE:

APPLICATIONS

Commercial shallow downlights are designed to provide premium features at a commercial value. The Open precision spun reflector provides a medium distribution and sharp light cutoff. Standard 0-10V 10% dimming driver; optional drivers available.

US cold-rolled steel housing. Knock outs for through wiring. Mounting ears accept standard hanger bars 14" - 24" (included). Adjustable mounting ears and junction box.

Precision spun reflector. Reflectors available in Alzak® and painted finishes. Distribution is free of streaks, striations and hotspots. Medium distribution or 45° Cutoff.

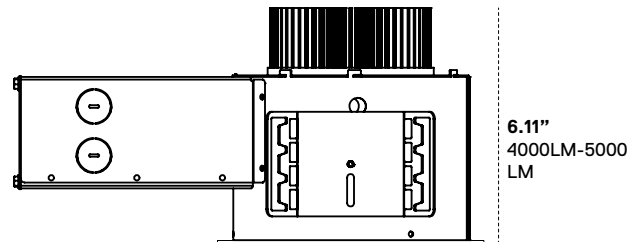
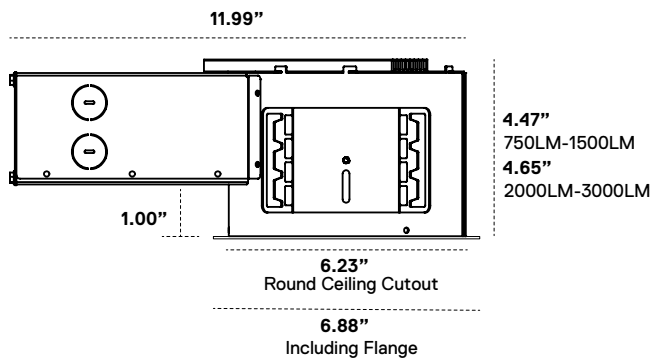


FEATURES & BENEFITS

- 750 - 4000 lumens
- 2700K - 5000K CCT
- 80 CRI with 3 SDCM color consistency (+90 CRI optional)
- Standard 0-10V 10% dimming driver; optional drivers available
- Minimum 50,000 hour lifetime at L70
- -20°C to 30°C Ambient Operating Temperature Range
- Chicago Plenum. Up to 4000 lumens.
- ETL certified to UL 1598 and UL8750 requirements
- Tested according to LM-79 and LM-80 standards
- Suitable for damp locations; Wet location under covered ceiling
- Buy American Act (BAA)
- 5-year limited warranty on LED module and driver

DIMENSIONS

New Construction





JOB NAME:

CAT#:

TYPE:

ORDERING

EXAMPLE: V60FCR U 11 30K F6060 SCL-R

| 1. SERIES | 2. VOLTAGE | 3. LUMENS | 4. COLOR TEMP | 5. REFLECTOR |
|-----------|-------------|----------------|----------------------------|---|
| V60FCR | U 120V-277V | 07 750 | 27K 2700K 80 CRI | F6060¹ Medium 60° Open Reflector |
| | | 11 1100 | 30K 3000K 80 CRI | F6019² Non-Conductive Shower Trim |
| | | 15 1500 | 35K 3500K 80 CRI | |
| | | 20 2000 | 40K 4000K 80 CRI | |
| | | 30 3000 | 50K 5000K 80 CRI | |
| | | 40 4000 | | |

6. REFLECTOR FINISH¹

- SCL-R** Specular Clear
- SGC-R** Soft Glow Clear
- WHT-R** White Matte

7. OPTIONS

- TDM** Triac (Forward Phase, 120V only) dimming driver
- HCR** High CRI, 90+ minimum. Not available in 5000 Kelvin
- PF** Polished Flange
- REM** Emergency battery back-up. Remote test button & indicator light
- GR-6-xx** 6" Goof Ring (specify outer dimension in inches where 'xx' are.)

1. All trims supplied standard with white painted flange. See illustration 1.2
 2. See illustration 1.1

NOTE: Values shown are typical or recorded under standardized conditions at 25°C. Actual performance may vary based on environment or application. Specifications are subject to change without notice. We reserve the right to change design, materials, LED's and finish in any way that will not alter installed appearance or reduce function and performance.





JOB NAME:

CAT#:

TYPE:

PHOTOMETRICS

MEDIUM - MD 2035K

Model

V6OFCR-2035K-F6060-SCL

Lumens

1,921

Watts

25.8

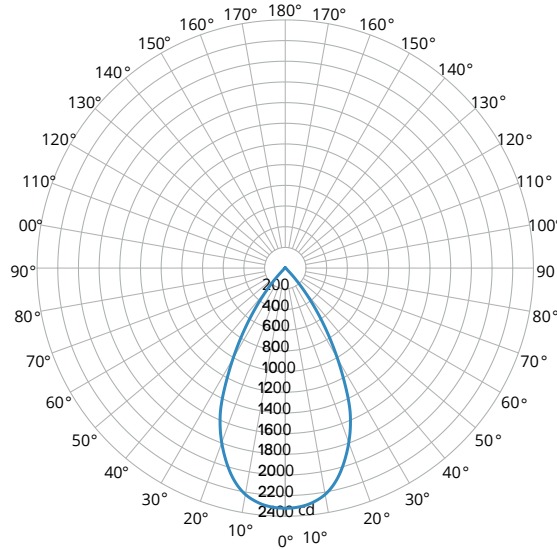
Efficacy

74.46

SC

0.89

Candela Curve



Cone of Light

| Mounting Height AFF | FC at Center on Floor | Beam Diameter |
|---------------------|-----------------------|---------------|
| 8.0 ' | 36 fc | 8.6 ' |
| 10.0 ' | 23 fc | 10.8 ' |
| 12.0 ' | 16 fc | 12.9 ' |
| 14.0 ' | 12 fc | 15.1 ' |
| 16.0 ' | 9 fc | 17.2 ' |
| 20.0 ' | 6 fc | 21.5 ' |
| 24.0 ' | 4 fc | 25.8 ' |
| 30.0 ' | 3 fc | 32.3 ' |

Candela Table

| | 0.00° |
|--------|-------|
| 0.00° | 2,322 |
| 5.00° | 2,302 |
| 10.00° | 2,223 |
| 15.00° | 2,050 |
| 20.00° | 1,796 |
| 30.00° | 1,010 |
| 40.00° | 275 |
| 50.00° | 25 |
| 60.00° | 10 |
| 70.00° | 5 |
| 80.00° | 2 |
| 90.00° | 0 |

Zonal Lumen Summary

| Zone | Lumens | % Luminaire |
|------------|--------|-------------|
| 0° - 30° | 1,442 | 75% |
| 0° - 40° | 1,819 | 95% |
| 0° - 60° | 1,910 | 99% |
| 60° - 90° | 11 | 1% |
| 0° - 20° | 788 | 41% |
| 20° - 50° | 1,107 | 58% |
| 50° - 70° | 22 | 1% |
| 70° - 90° | 4 | 0% |
| 0° - 90° | 1,921 | 100% |
| 90° - 180° | 0 | 0% |
| Total | 1,921 | 100% |

Spacing Criterion

| Height | Spacing | Light Level* |
|--------|---------|--------------|
| 8 ft | 7.1 ft | ~ 36 fc |
| 10 ft | 8.9 ft | ~ 23 fc |
| 12 ft | 10.7 ft | ~ 16 fc |
| 8 ft | 5.3 ft | ~ 65 fc |
| 10 ft | 6.7 ft | ~ 41 fc |
| 12 ft | 8.0 ft | ~ 29 fc |
| 8 ft | 3.6 ft | ~ 145 fc |
| 10 ft | 4.5 ft | ~ 93 fc |
| 12 ft | 5.3 ft | ~ 65 fc |

* approximate direct light level at floor based on spacing criterion overlap

MULTIPLIER

| CRI | Multiplier | Kelvin | Multiplier | Reflector Finish | Multiplier |
|-----|------------|--------|------------|------------------|------------|
| 80 | 1 | 2700K | 0.939 | SCL | 1 |
| 90 | 0.81 | 3000K | 0.975 | SGC | 0.95 |
| | | 3500K | 1 | WHT | 0.87 |
| | | 4000K | 1.035 | | |
| | | 5000K | 1.098 | | |