



JOB NAME:

CAT#:

TYPE:

APPLICATIONS

A linear 2x3 fixture for distinctive architectural lighting plans. Ideal for corridors, lobbies and office areas, 2x3 Series fixtures can be installed individually or in a continuous run. Specifically designed for direct lighting with snap-in lens to hide the LED arrays.

FEATURES & BENEFITS

- Available in custom finishes (consult factory)
- IC Rated
- _CETL_{US} listed for damp locations up to 90 watts
- L₇₀ > 50,000 hrs.
- Min CRI 80
- PI3D comes standard (fixture to fixture wiring options for power and dimming)
- 5 year warranty

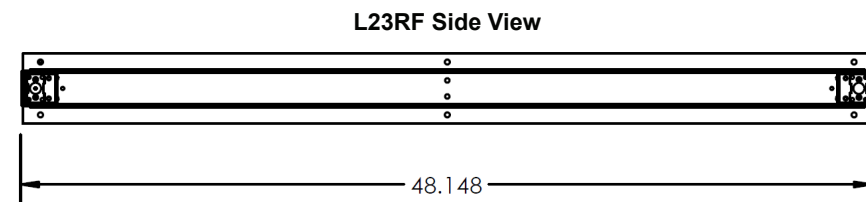
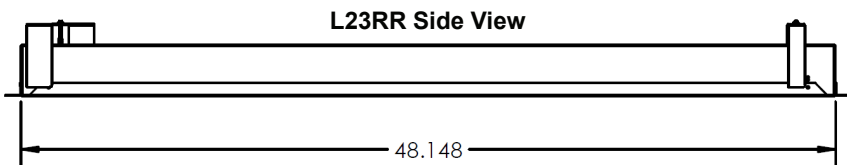


L23RPF shown

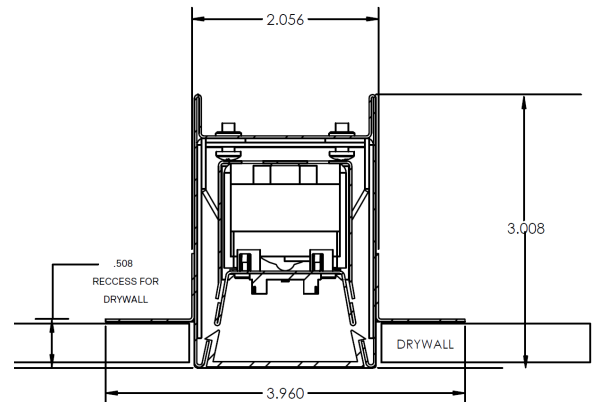
DIMENSIONS

| Part | L | W | H | X | Y |
|--------|-----|----|----|------|-------|
| L23R24 | 24" | 2" | 3" | 0.8" | 1.55" |
| L23R48 | 48" | 2" | 3" | 0.8" | 1.55" |
| L23R96 | 96" | 2" | 3" | 0.8" | 1.55" |

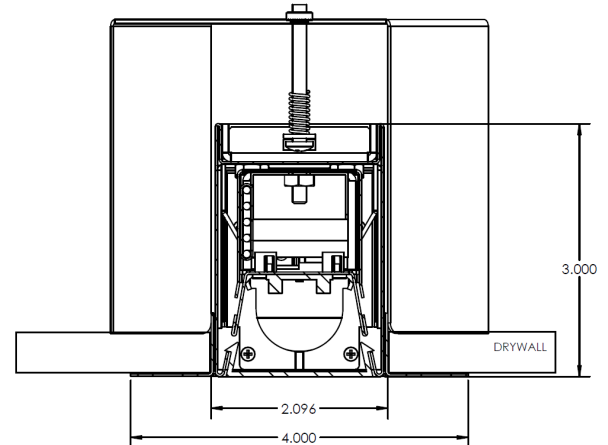
L = Length
W = Width
H = Height
X = Knock Out Distance
Y = Hanging Kit Distance



L23RR End View



L23RF End View



Recovery and Reinvestment Act



JOB NAME:
CAT#:
TYPE:

ORDERING

EXAMPLE: L23RR 24 LED 13 DMV BK SF 30

LED

| 1. SERIES | 2. LENGTH | 3. GEAR | 4. WATTAGE/LUMENS | 5. DRIVER | 6. FINISH |
|--|--|--|---|--|--|
| L23RR 1/2" Recess Flanged For Before Drywall Installation | 24 24" 48 48" | LED | 24 in. 18 18 Watts 2000 Lumens 27 27 Watts 3000 Lumens 35 35 Watts 3800 Lumens | DMV 120-277V Multivolt 0-10V Dimmable SDMV Step dimming Multivolt DHV Lutron Driver ¹ D347V 347VAC 0-10V Dimming | BK Black SI Silver WH White |
| L23RF For Existing Drywall Installation | 72 72" 96 96" | | 48 in. 24 26 Watts 2700 Lumens 36 36 Watts 3900 Lumens 54 54 Watts 6000 Lumens 68 68 Watts 7500 Lumens | D120 Triac Dimming 120VAC D277 Triac Dimming 277VAC | |
| L23RPF Perforated Flange After Drywall Installation | | | 72 in. 36 36 Watts 3900 Lumens 54 54 Watts 6000 Lumens 81 81 Watts 8800 Lumens 102 102 Watts 11200 Lumens | | |
| L23RR625 When ordered for recessed use in 5/8" drywall | | | 96 in. 48 48 Watts 5300 Lumens 72 72 Watts 7900 Lumens 108 108 Watts 11900 Lumens 135 135 Watts 15000 Lumens | | |
| 7. LENS | 8. COLOR TEMP | 9. CONFIGURATION | | | |
| SF Snap-in Frosted Acrylic Lens (85% transmission) | 30 3000K 35 3500K 40 4000K 50 5000K | Blank Individual -B Beginner Run -E Ender Run -J Joiner Run | | | |

ACCESSORIES

Lumens are subject to a tolerance of $\pm 10\%$ and not relevant to RGB
 Input wattage can vary depending on options
 Dimensions and specifications subject to change without notice.

NOTES:

¹Consult Factory for Lutron Gear

NOTE: Values shown are typical or recorded under standardized conditions at 25°C. Actual performance may vary based on environment or application. Specifications are subject to change without notice. We reserve the right to change design, materials, LED's and finish in any way that will not alter installed appearance or reduce function and performance.

