

JOB NAME:
CAT#:
TYPE:

APPLICATIONS

Commercial LED Remodeler kits are designed to update existing CFL, incandescent, halogen and HID downlights. Easy to install and reduce lighting energy and maintenance costs. Standard 0-10V 10% dimming driver; optional drivers available.

US cold-rolled steel housing. Minimal components above ceiling to fit into existing spaces. Key Slots secure reflector to LED light engine assembly. C-Shaped pan allows for easy installation through existing ceiling hole and is secured with clips to the ceiling.

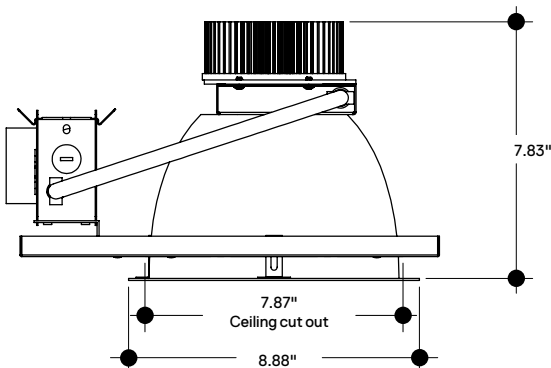
Precision spun reflector. Reflectors available in Specular Clear, Soft Glow Clear and White Matte. Distribution is free of streaks, striations and hotpots. 60° Medium distribution.



FEATURES & BENEFITS

- 1100 - 5000 lumens
- 2700K - 5000K CCT
- 80 CRI with 3 SDCM color consistency (+90 CRI optional)
- Standard 0-10V 10% dimming driver; optional drivers available
- 120V - 277V Input Volts
- Minimum 50,000 hour lifetime at L70
- -20°C to 30°C Ambient Operating Temperature Range
- ETL certified to UL 1598 and UL8750 requirements
- Tested according to LM-79 and LM-80 standards
- Suitable for damp locations; Wet location under covered ceiling
- Buy American Act (BAA)
- 5-year limited warranty on LED module and driver
- Insulation cannot be in direct contact with luminaire

DIMENSIONS





JOB NAME:

CAT#:

TYPE:

ORDERING

EXAMPLE: RMD-V8OFCR U 11 30K F8060 SCL-R

1. SERIES	2. VOLTAGE	3. LUMENS	4. COLOR TEMP	5. REFLECTOR
RMD-V8OFCR	U 120V-277V	11 1100 15 1500 20 2000 30 3000 40 4000 50 5000	27K 2700K 80 CRI 30K 3000K 80 CRI 35K 3500K 80 CRI 40K 4000K 80 CRI 50K 5000K 80 CRI	F8060 Medium 60° Open Reflector 8

6. REFLECTOR FINISH¹

- SCL-R** Specular Clear
- SGC-R** Soft Glow Clear
- WHT-R** White Matte

7. OPTIONS

- TDM** Triac (Forward Phase, 120V only) dimming driver
- HCR** High CRI, 90+ minimum. Not available in 5000 Kelvin
- PF** Polished Flange
- REM** Emergency battery back-up. Remote test button & indicator light
- GR-8-xx** 8" Goof Ring (specify outer dimension in inches where 'xx' are.)

1. All trims supplied standard with white painted flange. See illustration 1.1.

NOTE: Values shown are typical or recorded under standardized conditions at 25°C. Actual performance may vary based on environment or application. Specifications are subject to change without notice. We reserve the right to change design, materials, LED's and finish in any way that will not alter installed appearance or reduce function and performance.





JOB NAME:

CAT#:

TYPE:

ILLUSTRATION 1.1

Reflector Finishes



WHT
White Matte



SGC
Soft Glow Clear



SCL
Specular Clear

PERFORMANCE

Lumens

Nominal Lumens	Delivered Lumens	Wattage	Lumens Per Watt
1100	990	15.4	64.29
1500	1350	21.6	62.5
2000	1800	27.2	63.13
3000	2700	35.8	75.42
4000	3600	45.6	78.95
5000	4113	58.5	63.13

All measured at 3500K with a standard medium distribution
*Actual Wattage/Lumens may vary.

We reserve the right to change design, materials, LED's and finish in any way that will not alter installed appearance or reduce function and performance.



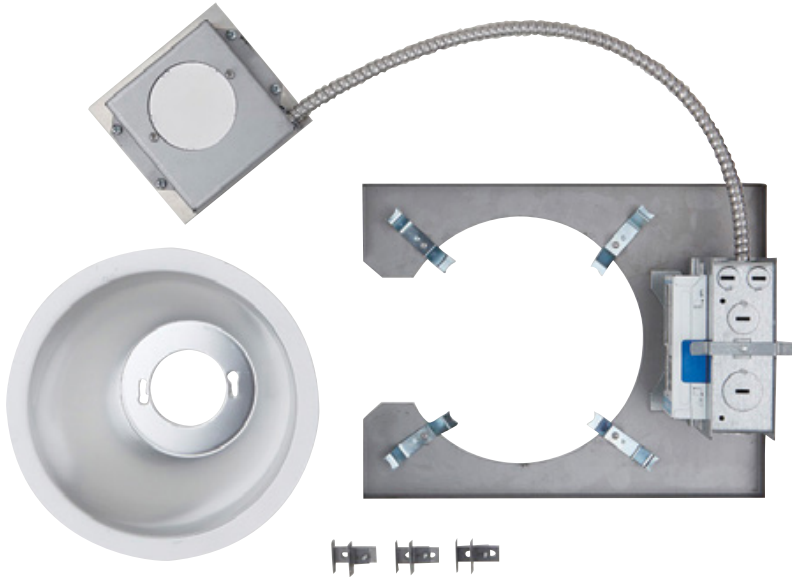
JOB NAME:

CAT#:

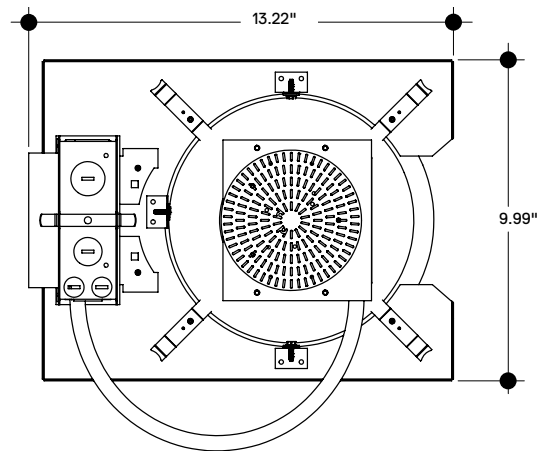
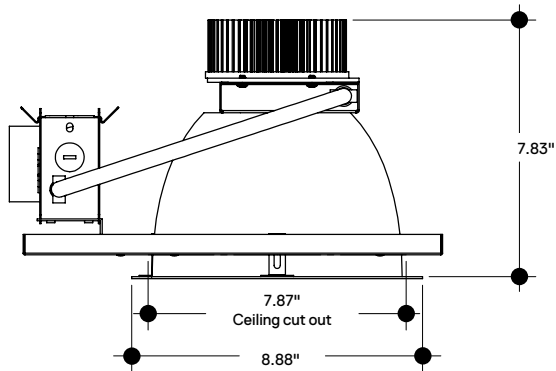
TYPE:

DRAWINGS & IMAGES

Remodeler Kit Contents



Dimensions





JOB NAME:

CAT#:

TYPE:

PHOTOMETRICS

MEDIUM - 60° 2035K

Model

Candela Curve

RET-V80FCR-2035K-F8060-SCL

Lumens

1,800

Watts

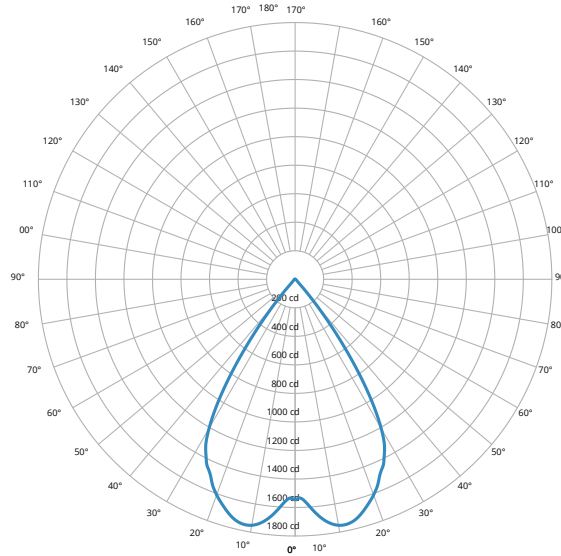
27.2

Efficacy

66.18

SC

1.15



Cone of Light

Mounting Height AFF	FC at Center on Floor	Beam Diameter
8.0'	24 fc	10.6'
10.0'	15 fc	13.2'
12.0'	11 fc	15.8'
14.0'	8 fc	18.5'
16.0'	6 fc	21.1'
20.0'	4 fc	26.4'
24.0'	3 fc	31.7'
30.0'	2 fc	39.6'

Candela Table

Angle	Candela
0.00°	1,545
5.00°	1,644
10.00°	1,751
15.00°	1,723
20.00°	1,609
30.00°	1,207
40.00°	212
50.00°	19
60.00°	9
70.00°	5
80.00°	2
90.00°	0

Zonal Lumen Summary

Zone	Lumens	% Luminaire
0° - 30°	1,303	72%
0° - 40°	1,732	96%
0° - 60°	1,789	99%
60° - 90°	11	1%
0° - 20°	643	36%
20° - 50°	1,135	63%
50° - 70°	19	1%
70° - 90°	4	0%
0° - 90°	1,800	100%
90° - 180°	0	0%
Total	1,800	100%

Spacing Criterion

Height	Spacing	Light Level*
8 ft	9.2 ft	~ 24 fc
10 ft	11.5 ft	~ 15 fc
12 ft	13.8 ft	~ 11 fc
8 ft	6.9 ft	~ 43 fc
10 ft	8.6 ft	~ 27 fc
12 ft	10.3 ft	~ 19 fc
8 ft	4.6 ft	~ 97 fc
10 ft	5.8 ft	~ 62 fc
12 ft	6.9 ft	~ 43 fc

* approximate direct light level at floor based on spacing criterion overlap

MULTIPLIER

CRI	Multiplier	Kelvin	Multiplier	Reflector Finish	Multiplier
80	1	2700K	0.939	SCL	1
90	0.81	3000K	0.975	SGC	0.95
		3500K	1	WHT	0.87
		4000K	1.035		
		5000K	1.098		