

**JOB NAME:**
**CAT#:**
**TYPE:**

## APPLICATIONS

Commercial LED Retrofit kits are designed to update existing CFL, incandescent, halogen and HID downlights. Easy to install and reduce lighting energy and maintenance costs. Standard 0-10V 10% dimming driver; optional drivers available.

US cold-rolled steel housing. Minimal components above ceiling to fit into existing spaces. Key Slots secure reflector to LED light engine assembly. Reflector and LED assembly are securely held to ceiling with friction clips.

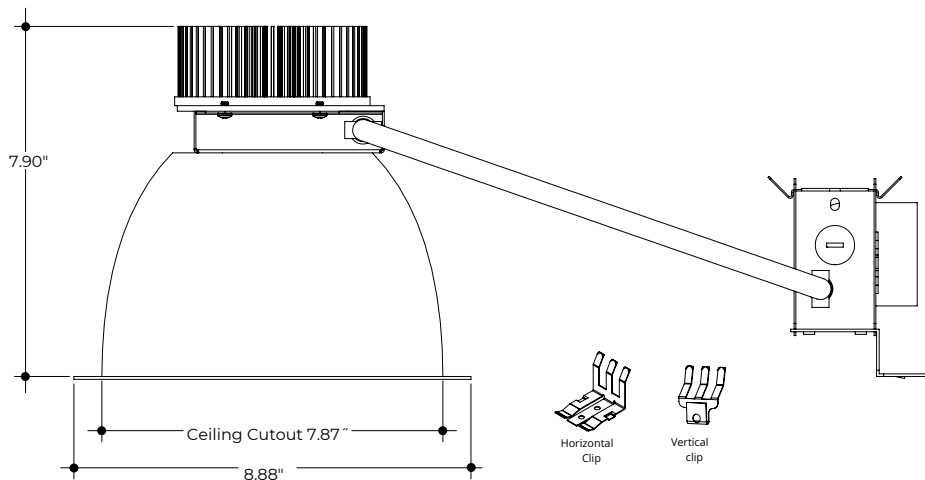
Precision spun reflector. Reflectors available in Specular Clear, Soft Glow Clear and White Matte. Distribution is free of streaks, striations and hotspots. 60° Medium distribution or 45° Cutoff.



## FEATURES & BENEFITS

- 1100 - 5000 lumens
- 2700K - 5000K CCT
- 80 CRI with 3 SDCM color consistency (+90 CRI optional)
- Standard 0-10V 10% dimming driver; optional drivers available
- 120V - 277V Input Volts
- Minimum 50,000 hour lifetime at L70
- -20°C to 30°C Ambient Operating Temperature Range
- ETL certified to UL 1598 and UL8750 requirements
- Tested according to LM-79 and LM-80 standards
- Suitable for damp locations; Wet location under covered ceiling
- Buy American Act (BAA)
- 5-year limited warranty on LED module and driver
- Insulation cannot be in direct contact with luminaire

## DIMENSIONS





**JOB NAME:**

**CAT#:**

**TYPE:**

**ORDERING**

EXAMPLE: RET-V80FCR U 11 30K F6060 SCL-R

1. SERIES	2. VOLTAGE	3. LUMENS	4. COLOR TEMP	5. REFLECTOR
RET-V80FCR	U 120V-277V	<b>11</b> 1100 <b>15</b> 1500 <b>20</b> 2000 <b>30</b> 3000 <b>40</b> 4000 <b>50</b> 5000	<b>27K</b> 2700K 80 CRI <b>30K</b> 3000K 80 CRI <b>35K</b> 3500K 80 CRI <b>40K</b> 4000K 80 CRI <b>50K</b> 5000K 80 CRI	<b>F8060</b> 60° Medium Open Reflector

**6. REFLECTOR FINISH<sup>1</sup>**

- SCL-R** Specular Clear
- SGC-R** Soft Glow Clear
- WHT-R** White Matte

**7. OPTIONS**

- TDM** Triac (Forward Phase, 120V only) dimming driver
- HCR** High CRI, 90+ minimum. Not available in 5000 Kelvin
- PF** Polished Flange
- REM** Emergency battery back-up. Remote test button & indicator light

1. All trims supplied standard with white painted flange. See illustration 1.1.

**NOTE:** Values shown are typical or recorded under standardized conditions at 25°C. Actual performance may vary based on environment or application. Specifications are subject to change without notice. We reserve the right to change design, materials, LED's and finish in any way that will not alter installed appearance or reduce function and performance.





JOB NAME:

CAT#:

TYPE:

### ILLUSTRATION 1.1

#### Reflector Finishes



**WHT**  
White Matte



**SGC**  
Soft Glow Clear



**SCL**  
Specular Clear

### PERFORMANCE

#### Lumens

Nominal Lumens	Delivered Lumens	Wattage	Lumens Per Watt
1100	990	15.4	64.29
1500	1350	21.6	62.5
2000	1800	27.2	63.13
3000	2700	35.8	75.42
4000	3600	45.6	78.95
5000	4113	58.5	63.13
All measured at 3500K with a standard medium distribution *Actual Wattage/Lumens may vary.			

We reserve the right to change design, materials, LED's and finish in any way that will not alter installed appearance or reduce function and performance.



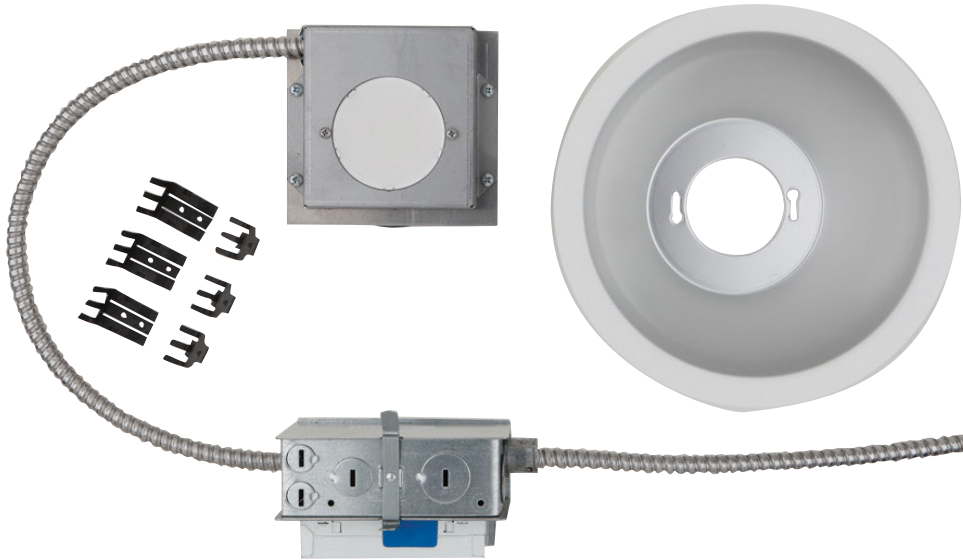
JOB NAME:

CAT#:

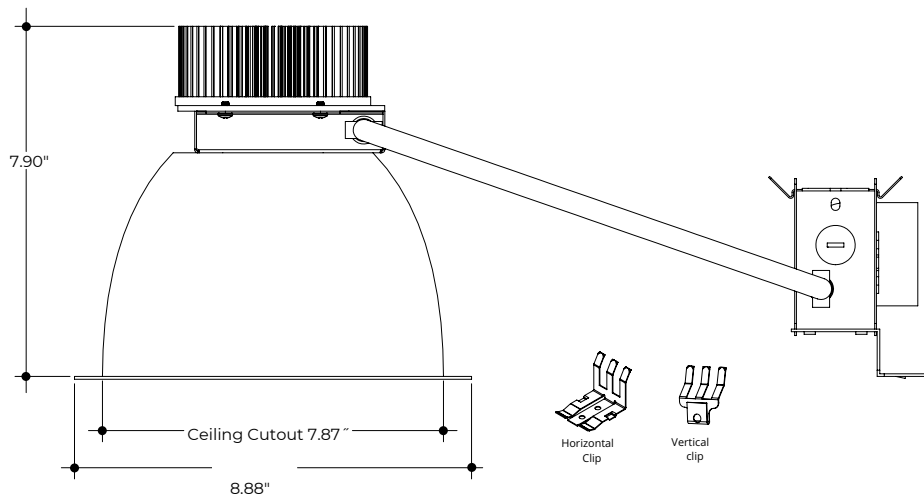
TYPE:

## DRAWINGS & IMAGES

### Retrofit Kit Contents



### Dimensions



**JOB NAME:**
**CAT#:**
**TYPE:**
**PHOTOMETRICS**
**MEDIUM - 60° 2035K**
**Model**

RET-V80FCR-2035K-F8060-SCL

**Lumens**

1800

**Watts**

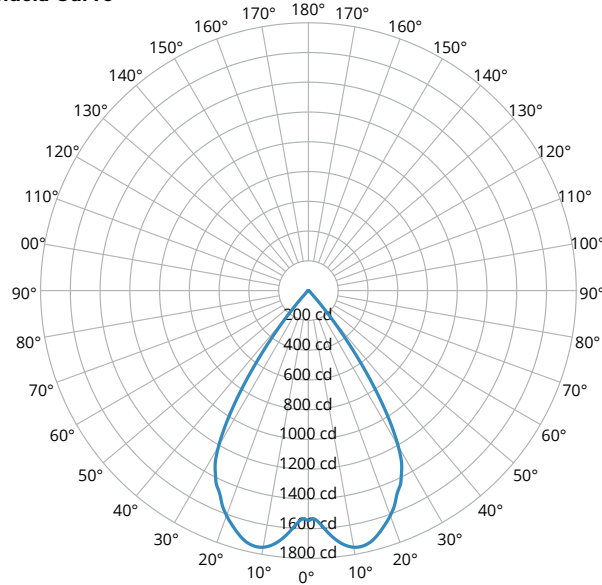
27.2

**Efficacy**

66.18

**SC**

1.15

**Candela Curve**

**Cone of Light**

Mounting Height AFF	FC at Center on Floor	Beam Diameter
8.0'	24 fc	10.6'
10.0'	15 fc	13.2'
12.0'	11 fc	15.8'
14.0'	8 fc	18.5'
16.0'	6 fc	21.1'
20.0'	4 fc	26.4'
24.0'	3 fc	31.7'
30.0'	2 fc	39.6'

**Candela Table**

	0.00°
0.00°	1,545
5.00°	1,644
10.00°	1,751
15.00°	1,723
20.00°	1,609
30.00°	1,207
40.00°	212
50.00°	19
60.00°	9
70.00°	5
80.00°	2
90.00°	0

**Zonal Lumen Summary**

Zone	Lumens	% Luminaire
0° - 30°	1,303	72%
0° - 40°	1,732	96%
0° - 60°	1,789	99%
60° - 90°	11	1%
0° - 20°	643	36%
20° - 50°	1,135	63%
50° - 70°	19	1%
70° - 90°	4	0%
0° - 90°	1,800	100%
90° - 180°	0	0%
Total	1,800	100%

**Spacing Criterion**

Height	Spacing	Light Level*
8 ft	9.2 ft	~ 24 fc
10 ft	11.5 ft	~ 15 fc
12 ft	13.8 ft	~ 11 fc
8 ft	6.9 ft	~ 43 fc
10 ft	8.6 ft	~ 27 fc
12 ft	10.3 ft	~ 19 fc
8 ft	4.6 ft	~ 97 fc
10 ft	5.8 ft	~ 62 fc
12 ft	6.9 ft	~ 43 fc

\* approximate direct light level at floor based on spacing criterion overlap

**MULTIPLIER**

CRI	Multiplier	Kelvin	Multiplier	Reflector Finish	Multiplier
80	1	2700K	0.939	SCL	1
90	0.81	3000K	0.975	SGC	0.95
		3500K	1	WHT	0.87
		4000K	1.035		
		5000K	1.098		