

JOB NAME:
CAT#:
TYPE:

APPLICATIONS

Commercial LED Retrofit kits are designed to update existing CFL, incandescent, halogen and HID downlights. Easy to install and reduce lighting energy and maintenance costs. Standard 0-10V 10% dimming driver; optional drivers available.

US cold-rolled steel housing. Minimal components above ceiling to fit into existing spaces. Key Slots secure reflector to LED light engine assembly. Reflector and LED assembly are securely held to ceiling with friction clips.

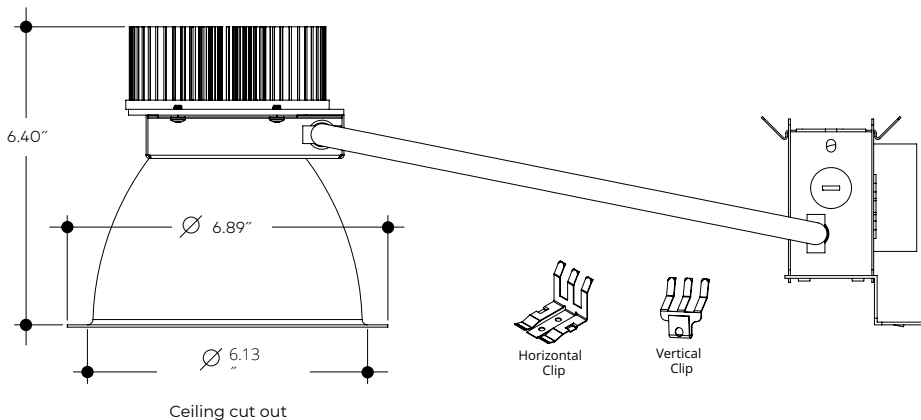
Precision spun reflector. Reflectors available in Specular Clear, Soft Glow Clear and White Matte. Distribution is free of streaks, striations and hotspots. 60° Medium distribution or 45° Cutoff.



FEATURES & BENEFITS

- 1100 - 5000 lumens
- 2700K - 5000K CCT
- 80 CRI with 3 SDCM color consistency (+90 CRI optional)
- Standard 0-10V 10% dimming driver; optional drivers available
- 120V - 277V Input Volts
- Minimum 50,000 hour lifetime at L70
- -20°C to 30°C Ambient Operating Temperature Range
- ETL certified to UL 1598 and UL8750 requirements
- Tested according to LM-79 and LM-80 standards
- Suitable for damp locations; Wet location under covered ceiling
- Buy American Act (BAA)
- 5-year limited warranty on LED module and driver
- Insulation cannot be in direct contact with luminaire

DIMENSIONS





JOB NAME:

CAT#:

TYPE:

ORDERING

EXAMPLE: RET-V6OFCR U 11 30K F6060 SCL-R

1. SERIES	2. VOLTAGE	3. LUMENS	4. COLOR TEMP	5. REFLECTOR
RET-V6OFCR	U 120V-277V	11 1100	27K 2700K 80 CRI	F6060¹ Medium Open Reflector
		15 1500	30K 3000K 80 CRI	F6019² Non-Conductive Shower Trim
		20 2000	35K 3500K 80 CRI	
		30 3000	40K 4000K 80 CRI	
		40 4000	50K 5000K 80 CRI	
		50 5000		

6. REFLECTOR FINISH¹

- SCL-R** Specular Clear
- SGC-R** Soft Glow Clear
- WHT-R** White Matte

7. OPTIONS

- TDM** Triac (Forward Phase, 120V only) dimming driver
- HCR** High CRI, 90+ minimum. Not available in 5000 Kelvin
- PF** Polished Flange
- REM** Emergency battery back-up. Remote test button & indicator light

1. All trims supplied standard with white painted flange. See illustration 1.2
 2. See illustration 1.1

NOTE: Values shown are typical or recorded under standardized conditions at 25°C. Actual performance may vary based on environment or application. Specifications are subject to change without notice. We reserve the right to change design, materials, LED's and finish in any way that will not alter installed appearance or reduce function and performance.





JOB NAME:

CAT#:

TYPE:

ILLUSTRATION 1.1

Non-Conductive Shower Trim - F6019

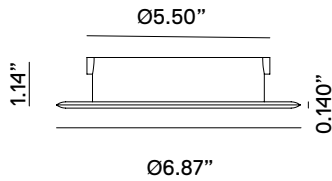


ILLUSTRATION 1.2

Reflector Finishes



WHT
White Matte



SGC
Soft Glow Clear



SCL
Specular Clear

PERFORMANCE

Lumens

Nominal Lumens	Delivered Lumens	Wattage	Lumens Per Watt
1100	1057	15.4	68.64
1500	1441	21.6	66.71
2000	1921	25.8	74.46
3000	2876	33.39	86.13
4000	3592	45.6	78.77
5000	4491	58.3	77.03

All measured at 3500K with a standard medium distribution
*Actual Wattage/Lumens may vary.

We reserve the right to change design, materials, LED's and finish in any way that will not alter installed appearance or reduce function and performance.



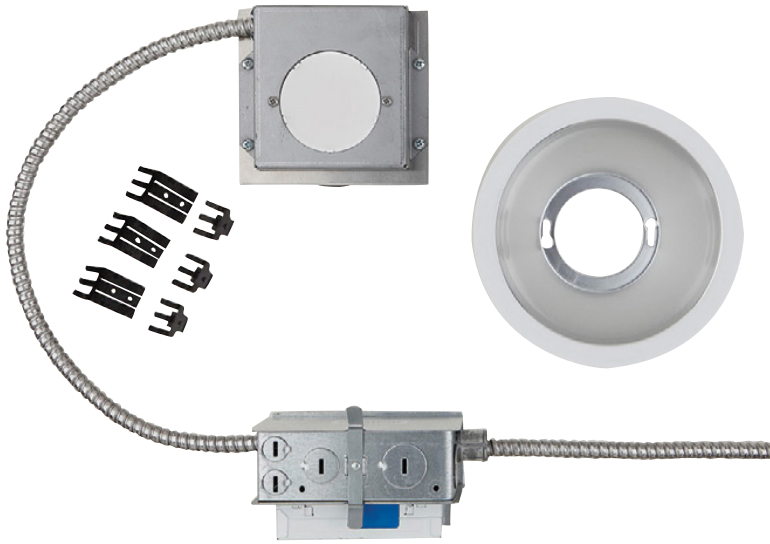
JOB NAME:

CAT#:

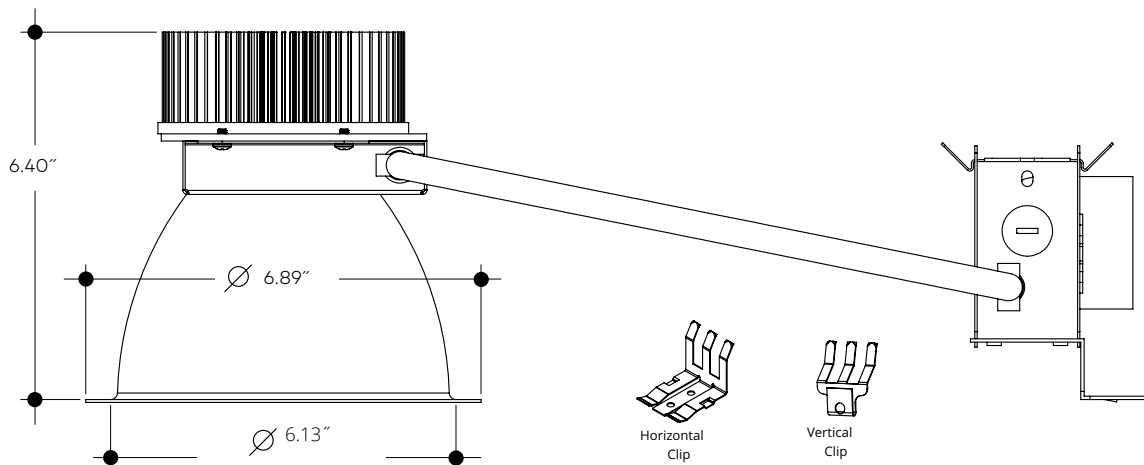
TYPE:

DRAWINGS & IMAGES

Retrofit Kit Contents



Dimensions





JOB NAME:

CAT#:

TYPE:

PHOTOMETRICS

MEDIUM - MD 2035K

Model

V60FCR-2035K-F6060-SCL

Lumens

1,921

Watts

25.8

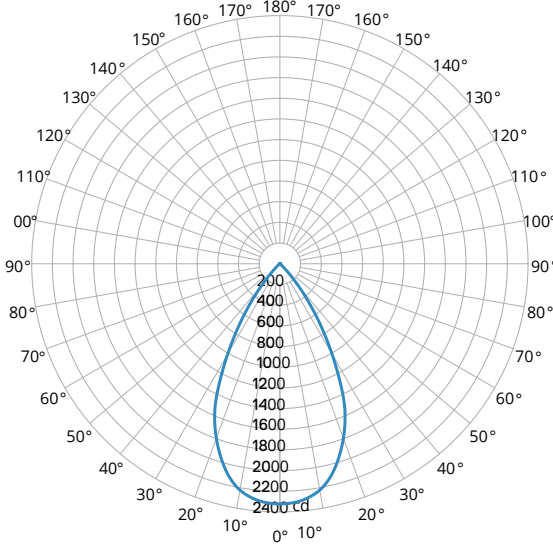
Efficacy

74.46

SC

0.89

Candela Curve



Cone of Light

Mounting Height AFF	FC at Center on Floor	Beam Diameter
8.0'	36 fc	8.6'
10.0'	23 fc	10.8'
12.0'	16 fc	12.9'
14.0'	12 fc	15.1'
16.0'	9 fc	17.2'
20.0'	6 fc	21.5'
24.0'	4 fc	25.8'
30.0'	3 fc	32.3'

Candela Table

Beam Angle	Candela
0.00°	2,322
5.00°	2,302
10.00°	2,223
15.00°	2,050
20.00°	1,796
30.00°	1,010
40.00°	275
50.00°	25
60.00°	10
70.00°	5
80.00°	2
90.00°	0

Zonal Lumen Summary

Zone	Lumens	% Luminaire
0° - 30°	1,442	75%
0° - 40°	1,819	95%
0° - 60°	1,910	99%
60° - 90°	11	1%
0° - 20°	788	41%
20° - 50°	1,107	58%
50° - 70°	22	1%
70° - 90°	4	0%
0° - 90°	1,921	100%
90° - 180°	0	0%
Total	1,921	100%

Spacing Criterion

Height	Spacing	Light Level*
8 ft	7.1 ft	~ 36 fc
10 ft	8.9 ft	~ 23 fc
12 ft	10.7 ft	~ 16 fc
8 ft	5.3 ft	~ 65 fc
10 ft	6.7 ft	~ 41 fc
12 ft	8.0 ft	~ 29 fc
8 ft	3.6 ft	~ 145 fc
10 ft	4.5 ft	~ 93 fc
12 ft	5.3 ft	~ 65 fc

* approximate direct light level at floor based on spacing criterion overlap

MULTIPLIER

CRI	Multiplier	Kelvin	Multiplier	Reflector Finish	Multiplier
80	1	2700K	0.939	SCL	1
90	0.81	3000K	0.975	SGC	0.95
		3500K	1	WHT	0.87
		4000K	1.035		
		5000K	1.098		