

JOB NAME:
CAT#:
TYPE:

APPLICATIONS

Commercial-grade 4 inch LED recessed, non-IC LED remodeler kit with medium beam spread, featuring superior thermal management and simple installation. Light engine features LED module and LED driver with outputs ranging from 1100 to 2000 lumens and color temperatures from 3000 to 4000oK. A wide selection of driver, reflector finishes and emergency battery back-up options available.

Self-contained LED/Driver module system provides low profile and easy installation from below ceiling. Universal friction clips provide robust retention of LED/Driver module and reflector system to pre-existing downlight housing.

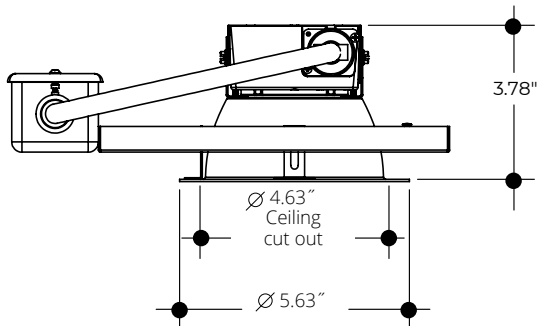
Precision spun reflector. Reflectors available in Specular Clear, Soft Glow Clear and White Matte. Distribution is free of streaks, striations and hotpots. 60° Medium distribution or 45° Cutoff.



FEATURES & BENEFITS

- 1100 - 5000 lumens
- 2700K - 5000K CCT
- 80 CRI with 3 SDCM color consistency (+90 CRI optional)
- Standard 0-10V 10% dimming driver; optional drivers available
- 120V - 277V Input Volts
- Minimum 50,000 hour lifetime at L70
- -20°C to 30°C Ambient Operating Temperature Range
- ETL certified to UL 1598 and UL8750 requirements
- Tested according to LM-79 and LM-80 standards
- Location under covered ceiling (per NEC 410 & UL 1598)
- Buy American Act (BAA)
- 5-year limited warranty on LED module and driver
- Insulation cannot be in direct contact with luminaire

DIMENSIONS





JOB NAME:

CAT#:

TYPE:

ORDERING

EXAMPLE: RMD-V4OFCR U 11 30K F4060 SCL-R

1. SERIES	2. VOLTAGE	3. LUMENS	4. COLOR TEMP	5. REFLECTOR	
RMD-V4OFCR	U 120V-277V	11	1100	27K 2700K 80 CRI	F4060 ¹ Medium Open Reflector
		15	1500	30K 3000K 80 CRI	F4019 ² Non-Conductive Shower Trim
		20	2000	35K 3500K 80 CRI	
				40K 4000K 80 CRI	
				50K 5000K 80 CRI	

6. REFLECTOR FINISH¹

- SCL** Specular Clear
- SGC** Soft Glow Clear
- WHT** White Matte

7. OPTIONS

- TDM** Triac (Foward Phase, 120V only) dimming driver
- HCR** High CRI, 90+ minimum. Not available in 5000 Kelvin
- PF** Polished Flange
- REM** Emergency battery back-up. Remote test button & indicator light
- GR-4-xx** 4" Goof Ring (specify outer dimension in inches where 'xx' are.)

1. All trims supplied standard with white painted flange. See illustration 1.2
 2. See illustration 1.1

NOTE: Values shown are typical or recorded under standardized conditions at 25°C. Actual performance may vary based on environment or application. Specifications are subject to change without notice. We reserve the right to change design, materials, LED's and finish in any way that will not alter installed appearance or reduce function and performance.





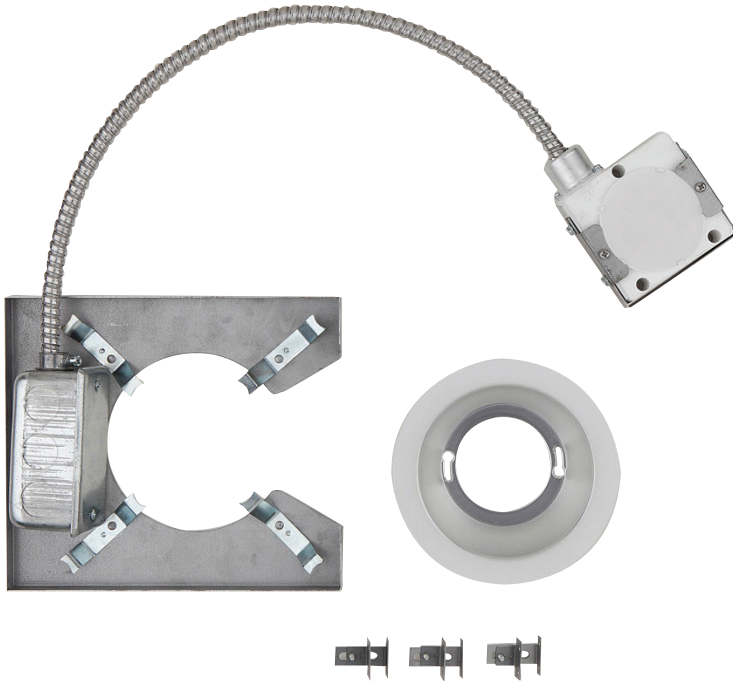
JOB NAME:

CAT#:

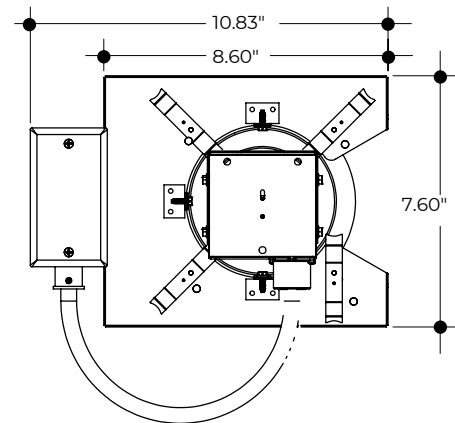
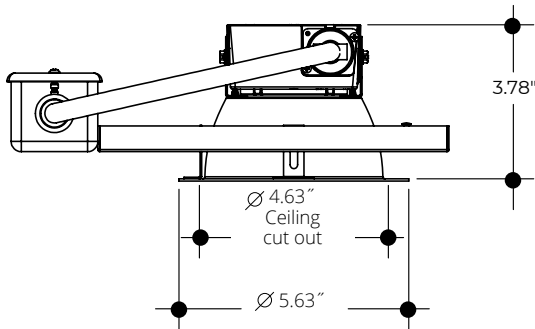
TYPE:

DRAWINGS & IMAGES

Remodeler Kit Contents



Dimensions



We reserve the right to change design, materials, LED's and finish in any way that will not alter installed appearance or reduce function and performance.

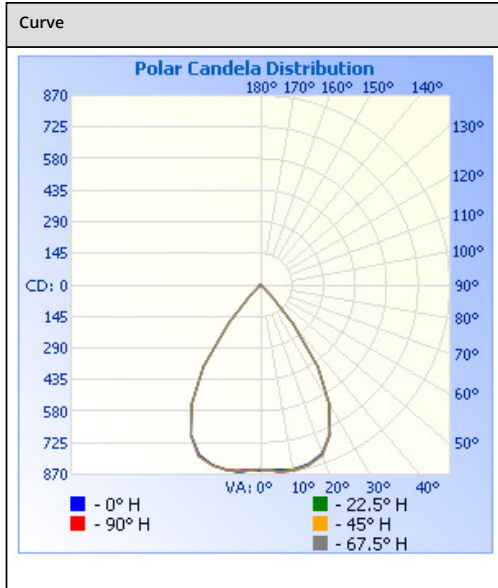


JOB NAME:

CAT#:

TYPE:

PHOTOMETRICS



Test Number
PHM-RPT-180302-07

Model
RMD-V4OFCR1-1135K

Lumens
1046.39

Efficacy
97.15

SC
0.9728

Cone of Light

	Center Beam fc		
1.7	293	2.3	2.4
3.3	77.8	4.5	4.7
5.0	33.9	6.8	7.1
6.7	18.9	9.1	9.6
8.3	12.3	11.3	11.9
10.0	8.47	13.6	14.3

Zonal Lumen Summary

Zone	Lumens	% Luminaire
0-30	663.2	63.4
0-40	936.6	89.5
0-60	1014.5	97
60-90	12.3	1.2
70-100	10.1	1
90-120	8.6	0.8
0-90	1026.8	98.1
90-180	19.6	1.9
0-180	1046.4	100

Candela Table

Degrees Vertical	Candela
0.0	847
1.0	846
3.0	848
5.0	853
7.0	856
9.0	858
10.0	859
15.0	850
20.0	823
25.0	753
30.0	630
40.0	232
45.0	71
50.0	14
55.0	9
60.0	7
65.0	5
70.0	4
75.0	4
80.0	3
85.0	3
90.0	3
95.0	3
100.0	3

MULTIPLIER

CRI	Multiplier	Kelvin	Multiplier	Reflector Finish	Multiplier
80	1	2700K	0.939	SCL	1
90	0.81	3000K	0.975	SGC	0.95
		3500K	1	WHT	0.87
		4000K	1.035		
		5000K	1.098		