



JOB NAME:

CAT#:

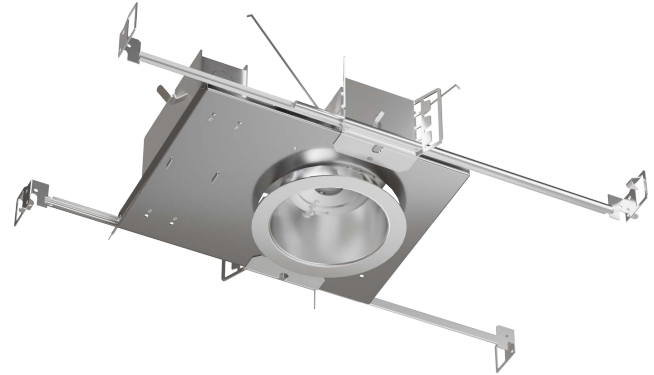
TYPE:

APPLICATIONS

These New Construction downlights are engineered for performance and efficiency in value. Designed to provide features and options to meet the requirements of downlighting in most projects. The open spun reflector provides medium distribution and distinct cutoff. Standard 0-10v 10% driver. Options available.

Galvanized steel frame with integrated junction box. Adjustable mounting ears and junction box. Mounting ears accept standard hanger bars 14" - 24" (included) and designed to accept C Channel or Flat bar stock mounting.

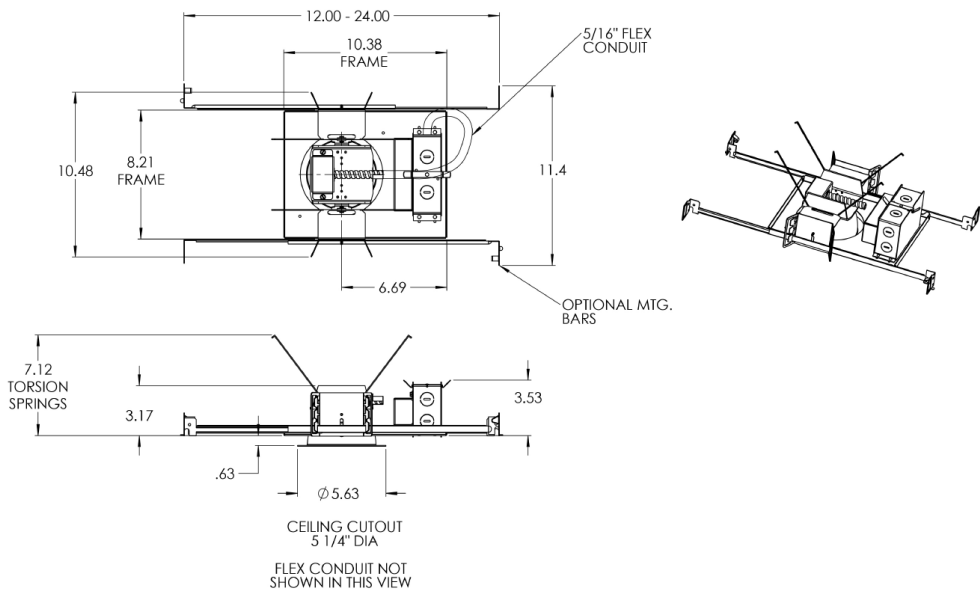
Precision spun reflector. Reflectors available in Alzak® and painted finishes. Distribution is free of streaks, striations and hotspots. 60° Medium distribution or 45° Cutoff.



FEATURES & BENEFITS

- 750 - 2000 lumens
- 2700K - 5000K CCT
- 80 CRI with 3 SDCM color consistency (+90 CRI optional)
- Standard 0-10V 10% dimming driver; optional drivers available
- 120V - 277V Input Volts
- Minimum 50,000 hour lifetime at L70
- -20°C to 30°C Ambient Operating Temperature Range
- ETL certified to UL 1598 and UL8750 requirements
- Tested according to LM-79 and LM-80 standards
- Suitable for damp locations; Wet location under covered ceiling
- Buy American Act (BAA)
- 5-year limited warranty on LED module and driver

DIMENSIONS





JOB NAME:

CAT#:

TYPE:

ORDERING

EXAMPLE: V4OFCR U 11 30K F4060 SCL

1. SERIES	2. VOLTAGE	3. LUMENS	4. COLOR TEMP	5. REFLECTOR
VED4OCR	U 120V-277V	07 750	27K 2700K 80 CRI	F4060 ¹ Medium Open Reflector
		11 1100	30K 3000K 80 CRI	F4019 ² Non-Conductive Shower Trim
		15 1500	35K 3500K 80 CRI	
		20 2000	40K 4000K 80 CRI	
			50K 5000K 80 CRI	

6. REFLECTOR FINISH¹

SCL	Specular Clear
SGC	Soft Glow Clear
WHT	White Matte

7. OPTIONS

TDM	Triac (Forward Phase, 120V only) dimming driver
HCR	High CRI, 90+ minimum. Not available in 5000 Kelvin
PF	Polished Flange
REM	Emergency battery back-up. Remote test button & indicator light
ZDM	0-10V 1% dimming driver (Universal Voltage)

- 1. All trims supplied standard with white painted flange. See illustration 1.2
- 2. See illustration 1.1

NOTE: Values shown are typical or recorded under standardized conditions at 25°C. Actual performance may vary based on environment or application. Specifications are subject to change without notice. We reserve the right to change design, materials, LED's and finish in any way that will not alter installed appearance or reduce function and performance.





JOB NAME:

CAT#:

TYPE:

ILLUSTRATION 11

Non-Conductive Shower Trim - F 01



ILLUSTRATION 12



WHT
White Matte

SGC
Soft Glow Clear

SCL
Specular Clear

PERFORMANCE

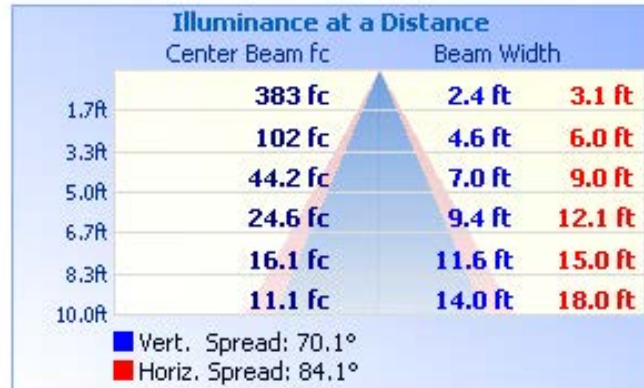
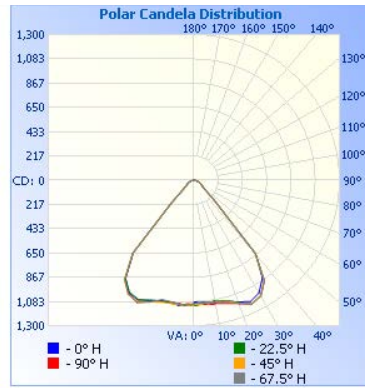
H		G	I	
I	I			
I	I		I	I H
I	G	I		

We reserve the right to change design materials LED's and finish in new products that will not alter installed appearance or reduce function and performance

JOB NAME:

CAT#:

TYPE:

PHOTOMETRICS

Zonal Lumen Summary

Zone	Lumens	% Luminaire
0-30	969.7	45.5%
0-40	1,619.0	75.9%
0-60	1,992.3	93.4%
60-90	102.3	4.8%
70-100	50.4	2.4%
90-120	16.8	0.8%
0-90	2,094.6	98.2%
90-180	37.5	1.8%
0-180	2,132.2	100%

Lumens Per Zone

Zone	Lumens	% Total	Zone	Lumens	% Total
0-10	105.6	5.0%	90-100	5.9	0.3%
10-20	319.0	15.0%	100-110	5.6	0.3%
20-30	545.2	25.6%	110-120	5.3	0.2%
30-40	649.3	30.5%	120-130	5.1	0.2%
40-50	288.0	13.5%	130-140	5.0	0.2%
50-60	85.3	4.0%	140-150	4.4	0.2%
60-70	57.8	2.7%	150-160	3.4	0.2%
70-80	32.8	1.5%	160-170	2.0	0.1%
80-90	11.7	0.5%	170-180	0.7	0%

MULTIPLIER

CRI	Multiplier	Kelvin	Multiplier	Reflector Finish	Multiplier
80	1	2700K	0.939	SCL	1
90	0.81	3000K	0.975	SGC	0.95
		3500K	1	WHT	0.87
		4000K	1.035		
		5000K	1.098		