



JOB NAME:

CAT#:

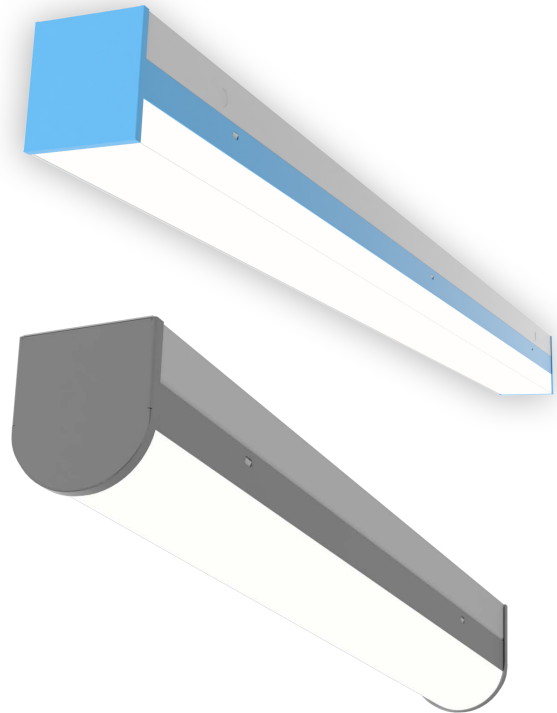
TYPE:

### APPLICATIONS

Full body micro-silhouette makes a bold statement with a minimal design in a variety of standard powder coated finish options, as well as custom colors. Scaled to the LED module, the drop frosted diffuser surrounds the LEDs for soft lighting. LS/RS fixture can be surface mounted on wall or ceiling or pendant mounted with specially engineering cable mounting kit. LS/RS fixtures can be used individually or in a continuous run, either surface, wall, or pendant mounted. Ideal for retail applications.

### FEATURES & BENEFITS

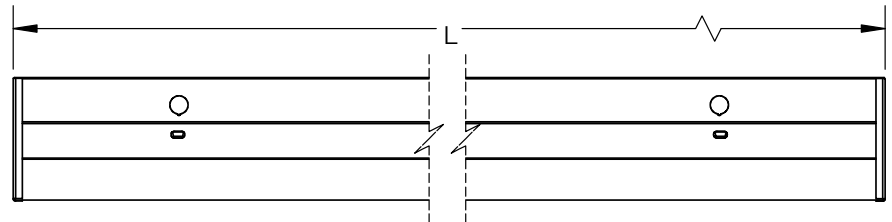
- Available in custom finishes (consult factory)
- Fixtures can be surface mounted to the wall or ceiling or pendant hung by engineered hanging kit
- cETL<sub>us</sub> listed for damp locations up to 90 watts
- L70 > 50000 hrs.
- Min CRI 80
- PL3D comes standard (fixture to fixture wiring options for power and dimming)
- 5 year warranty



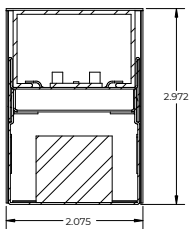
### DIMENSIONS

Part	L	X	Y
LS2/LS3 OR RS2/RS3 P24	24"	2.75"	3.27"
LS2/LS3 OR RS2/RS3 P36	36"	2.75"	3.27"
LS2/LS3 OR RS2/RS3 P48	48"	2.75"	3.27"
LS2/LS3 OR RS2/RS3 P96	96"	2.75"	3.27"

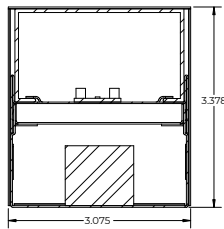
L = Length  
X = Knock Out Distance  
Y = Hanging Kit Distance



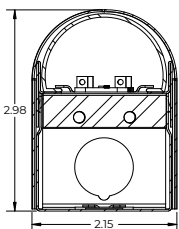
LS2 Side View



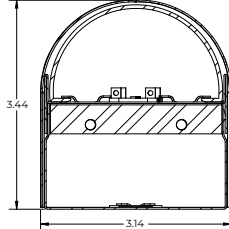
LS3 Side View



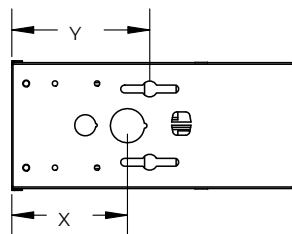
RS2 Side View



RS3 Side View



Pendant/Surface Mount



Dimensions and specifications subject to change without notice.











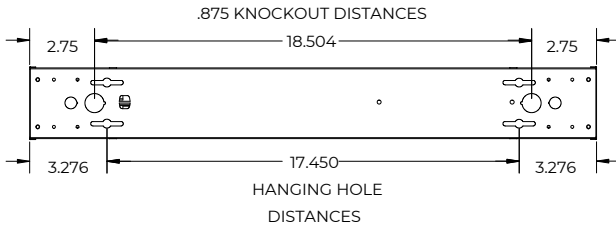
JOB NAME:

CAT#:

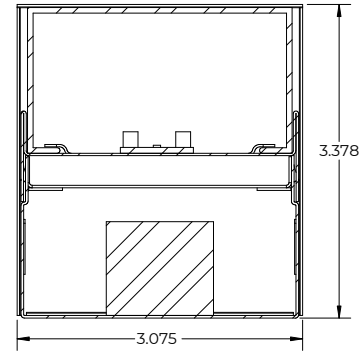
TYPE:

**DIMENSIONS**

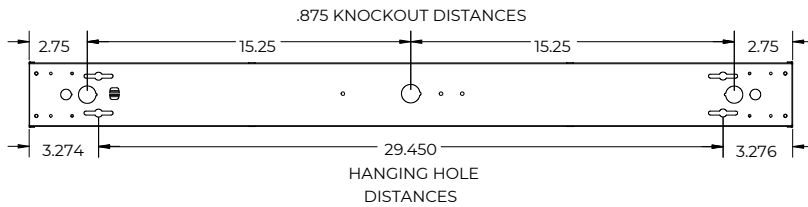
**LS3/RS3P24**



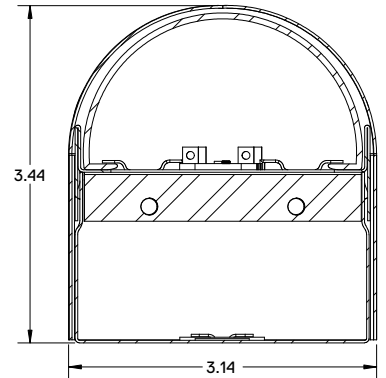
**LS3 Side View**



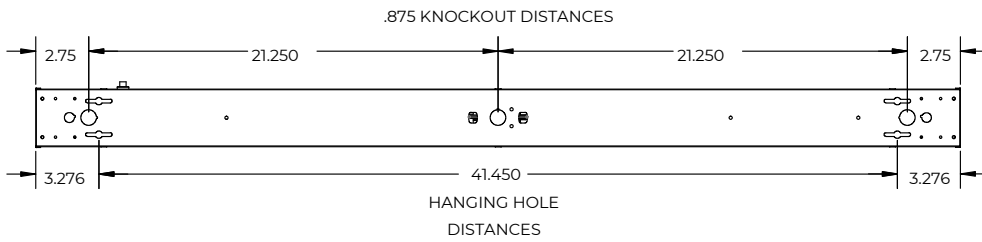
**LS3/RS3P36**



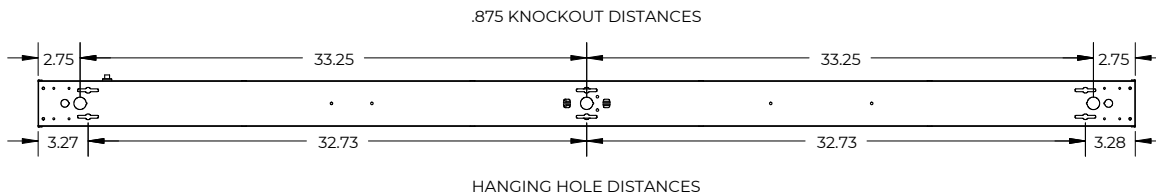
**RS3 Side View**



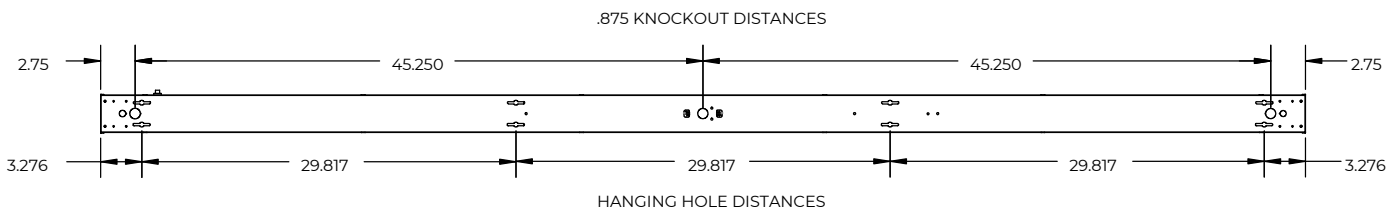
**LS3/RS3P48**



**LS3/RS3P72**



**LS3/RS3P96**



Dimensions and specifications subject to change without notice.



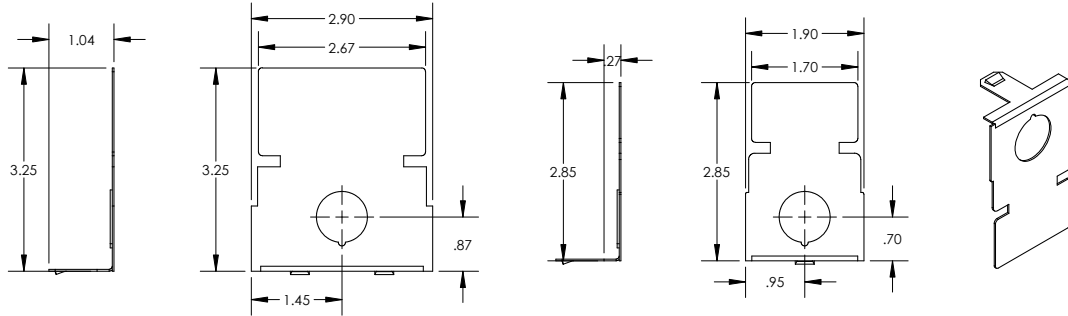
JOB NAME:

CAT#:

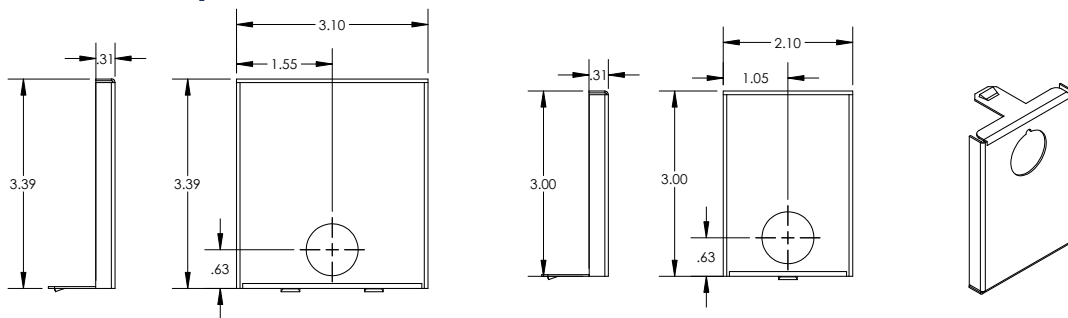
TYPE:

**DIMENSIONS**

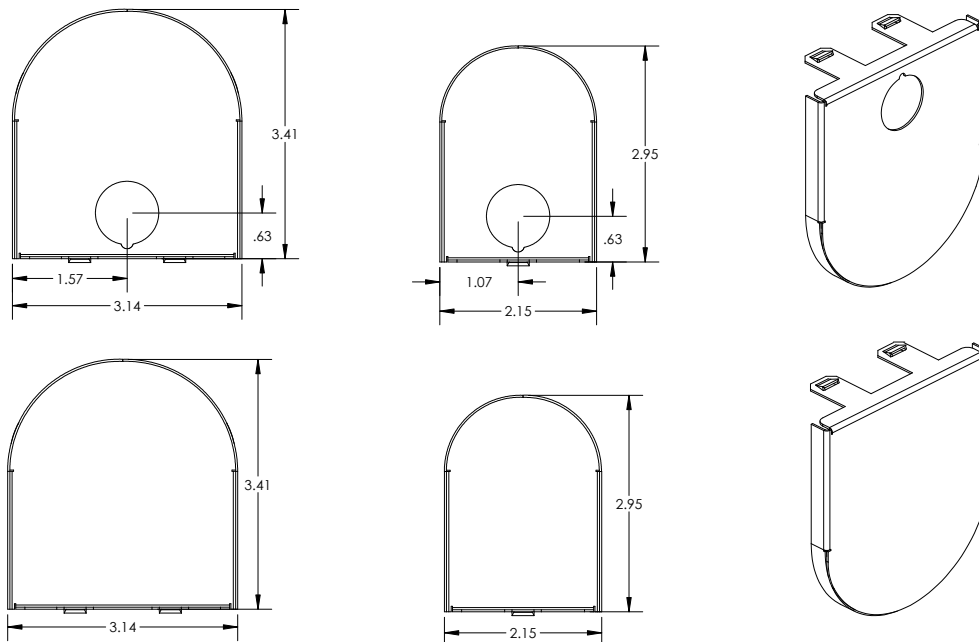
**LS2/LS3 CR-L Endcap**



**LS2/LS3 CR Endcap**



**RS2/RS3 Endcap**



Dimensions and specifications subject to change without notice.