



**JOB NAME:**

**CAT#:**

**TYPE:**

### APPLICATIONS

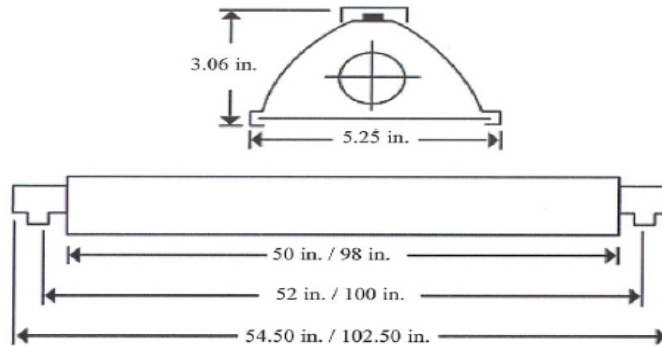
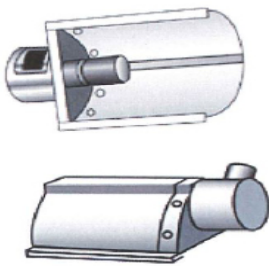
Specification grade fixture, sealed aluminum extrusion with lens for outdoor applications. The AOD series is a durable fixture used in both parking and commercial / retail outdoor areas for sign and walkway lighting.

### FEATURES & BENEFITS

- 5.25W" x 3.06H" inches
- Min CRI 82
- Available in 48 and 96 inch nominal lengths.
- Aluminum extrusion with white interior and cast aluminum end plates.
- Smooth, clear acrylic diffuser/lens
- Fixtures may be coupled for continuous runs without additional accessories
- Typically mounted on conduit



### DIMENSIONS



### ORDERING

EXAMPLE: AOD 48 LED 32 DMV 30

AOD		LED			
1. SERIES	2. SIZE	3. GEAR	4. WATTAGE/LUMENS	5. DRIVER	6. COLOR TEMP
AOD	48 48"	LED	<b>48 inch</b>	DMV 120-277VAC 0-10V Dimmable	30 3000K
	96 96"		48 48 Watts 5900 Lumens		40 4000K
			57 57 Watts 6500 Lumens		50 5000K
			<b>96 inch</b>		
			96 96 Watts 11800 Lumens		
			114 114 Watts 13000 Lumens		

Values shown are typical or recorded under standardized conditions at 25°C. Actual performance may vary based on environment or application. Specifications are subject to change without notice. We reserve the right to change design, materials, LED's and finish in any way that will not alter installed appearance or reduce function and performance.





JOB NAME:

CAT#:

TYPE:

**INSTALLATION**

**TYPICAL INSTALLATIONS**

**BUILDING MOUNTING**

SADDLE STRAP ANCHORED TO COPING (BY OTHERS)

3/4" PIPE-CONDUIT MOUNTING ARM (BY OTHERS)

ROOF

**BUILDINGS**

A natural for store-front and service station lighting. With this unit the store-front or service station is lighted uniformly from roof to grade.

**BILLBOARD MOUNTING**

CONDUIT STRAP (BY OTHERS)

CONDUIT MOUNTING ARM (BY OTHERS)

SUPPORT & LOCKING BRACKET (BY OTHERS)

REMOTE BALLAST BOX

ELECTRICAL TO SUPPLY

MOUNTING AS VIEWED FROM REAR OF BILL BOARD

**BILLBOARDS**

Balanced high light output gives the advertising message greater impact. Copy and illustrations stand out and color distortion is virtually eliminated. Complete vertical surface is covered with a minimum of graduation and "hot spots" are eliminated.

**LUMINAIRE SPACING AND MOUNTING**

1. Dim. C should not exceed dimensions of A.
2. Dim. B should be twice the dimension of A.
3. If Dim. B exceeds 15 ft. then luminaires should be installed at top and bottom of area to be illuminated.
4. Angle of Dim. D should be 45° if dimensions are as outlined in paragraph No. 2. If Dim. A is four times less than Dim. B then angle should be 22.5°.

INDIVIDUAL

CONTINUOUS RUN

