



**JOB NAME:**

**CAT#:**

**TYPE:**

## APPLICATIONS

Full body micro silhouette makes a bold statement with a minimal design in post painted matte white finish (consult factory for other finishes). Scaled to the LED module the frosted diffuser surrounds the LEDs for a soft lighting. Fixture can be surface mounted on the wall or ceiling or pendant mounted with specially engineered cable mounting kit.

## FEATURES & BENEFITS

- Housing is formed and welded 22 gauge steel, that is chemically treated and powder coated for a beautiful finish and to resist corrosion
- Can be mounted individually or in a continuous row
- Ribbed frosted lens is standard
- Knockouts on back and ends accept standard electrical fittings (by others). Consult factory.
- Surface mountable to a wall or ceiling
- Pendant or cable mountable
- Whips, fuses and cord sets. See options page in Buyers' Guide or contact the factory for more.
- $cETL_{US}$  listed for damp locations



### OCCUPANCY SENSOR

- Self-Contained Relay
- No Power Pack Needed
- No Minimum Load
- Requirements Interchangeable
- Hot & Load Wires, Impossible to Wire Backwards Push-Button Programmable
- Adjustable Time Delays
- No Field Calibration or Sensitivity Adjustments Required
- Convenient Test Mode
- 100 hr Lamp Burn-in Timer
- Green LED Indicator

### PHYSICAL SPECS

- SIZE: 2.25" H x 1.38" W x 0.82" D (5.715 cm x 3.51 cm x 2.08 cm)
- WEIGHT: 4 oz
- MOUNTING: Snaps into 2 3/16" H x 1 5/16" W x 1" D cavity in fixture
- COLOR: White



**JOB NAME:**
**CAT#:**
**TYPE:**
**ORDERING**

EXAMPLE: LDA 24 LED 14 DMV WH RF 30 EM OS H4W

LDA		LED		RF		
1. SERIES	2. SIZE	3. GEAR	4. WATTAGE/LUMENS	5. DRIVER	6. FINISH	7. LENS
LDA	24 24" 48 48" 96 96"	LED	<b>24" Only</b> 14 14 Watts 1800 Lumens 20 20 Watts 2600 Lumens <b>48" Only</b> 28 28 Watts 3500 Lumens 36 36 Watts 4500 Lumens 40 40 Watts 5000 Lumens <b>96" Only</b> 56 56 Watts 7000 Lumens 72 72 Watts 9000 Lumens 80 80 Watts 10000 Lumens	DMV 120-277V Multivolt 0-10V Dimmable SDMV Step dimming 120-277V Multivolt D347V 347VAC 0-10V Dimming D120 Triac Dimming 120VAC D277 Triac Dimming 277VAC	WH White (std) BK Black SL Silver RD Red BN Brushed Nickel	RF Ribbed Frosted

8. COLOR TEMP	9. EMERGENCY(O) <sup>1</sup>	10. SENSOR(O) <sup>1</sup>	11. HANGING KIT(O) <sup>1</sup>	12. PLUG IN OPTIONS(O) <sup>1</sup>
30 3000K 35 3500K 40 4000K 50 5000K	EM Emergency battery pack 14Watt (4ft. & 8ft. only)	OS Occupancy Sensor SS Integral On/Off PIR Sensor SSD Integral Dimming PIR Sensor w/ Daylighting SSM Integral Microwave Sensor	H4W HC301 Cable kit with 4' cable & power feed Cable incl. w/ white canopy and cord H4W5 HC301 Cable kit with 4' cable & power feed 0-10V Dimming Cable incl. w/white canopy and cord (5 wire) H12W HC302 Cable kit with 12' cable & power feed Cable incl. w/ white canopy and cord H12W5 HC302 Cable kit with 12' cable & power feed 0-10V Dimming Cable incl. w/white canopy and cord (5 wire)	P11 3 wire harness, including white, black and green P12 4 wire harness, including white, black, green and blue for emergency backup P13D 5 wire harness, including white, black, green, violet and gray

\*\*Cord &amp; Whip Ordering Chart (Add to End of Fixture Part Number)

Part No.	# of Wires	Length	End Fitting	Finish	Voltage**	Amps (TL Only)**
WP - Whip CS - Cordset	(Blank) 3 Wire 4 - 4 Wire 5 - 5 Wire 6 - 6 Wire	(Blank) 6 feet 8 - 8 feet 10 - 10 feet 12 - 12 feet 15 - 15 feet	(Blank) No Plug P* - Standard Plug TL** - Twist Lock	BK - Black WH - White	(Blank) 120-277V <sup>2</sup> 120 - 120V* 277 - 277V 347 - 347V 480 - 480V	15 - 15 Amps 20 - 20 Amps

**NOTES:**
<sup>1</sup>O is optional

<sup>2</sup>Not available with P or TL

**NOTE:** Values shown are typical or recorded under standardized conditions at 25°C. Actual performance may vary based on environment or application. Specifications are subject to change without notice. We reserve the right to change design, materials, LED's and finish in any way that will not alter installed appearance or reduce function and performance.





JOB NAME:

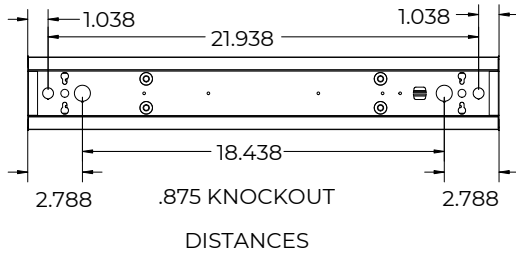
CAT#:

TYPE:

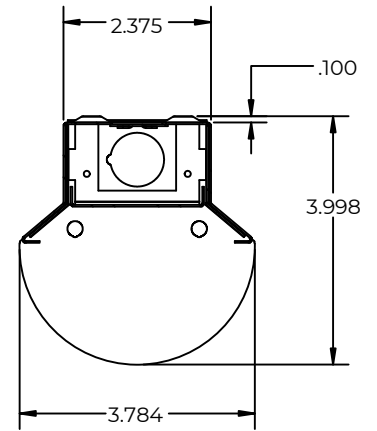
**DIMENSIONS**

**LDA24**

.575 KNOCKOUT  
DISTANCES

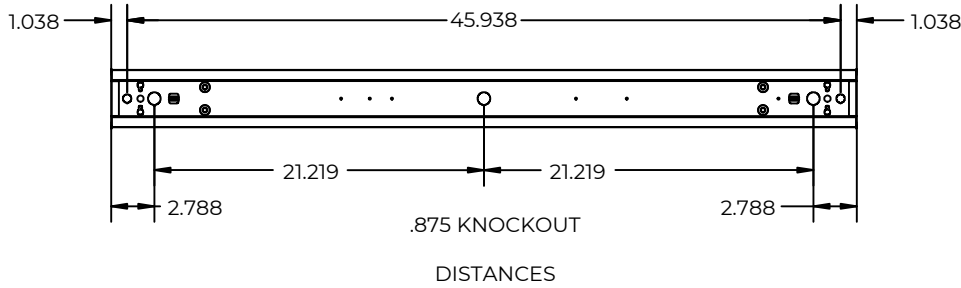


**End View**



**LDA48**

.575 KNOCKOUT DISTANCES



**LDA96**

.575 KNOCKOUT DISTANCES

