



### APPLICATIONS

Open office ambient lighting for glare and shadow free illumination

### FEATURES & BENEFITS

- ◆ **P<sup>3</sup> Technology - Post Powder Paint**
- ◆ > 90% reflectivity
- ◆ Corrosion and scratch resistant
- ◆ Smooth edges for easy handling
- ◆ Designed for T5 or T8 lamps
- ◆ Mounts on exact 4' and 8' centers
- ◆ Joiners will accept stems, single cable, "V" cable and power cords
- ◆ Joiners have a unique "no light leak" design
- ◆ White finish is standard
- ◆ Available in 48 and 96 inches - (4' and 8' lengths)
- ◆ Power feed cable and 4' cable included
- ◆ Enhanced anodized aluminum reflector with over 95% reflectivity
- ◆ Lamp holder brackets and adjustable ballast brackets attached
- ◆ Can also be used in a wall mounted version
- ◆ Computer designed optical system
- ◆ Call factory for color options
- ◆ cUL<sub>US</sub> Listed for damp locations



### SPECIFICATIONS

A shallow linear indirect fixture with a perforated body. The profile is 7" wide by 2" deep. Available in 4' and 8' lengths. Constructed of die-cast aluminum allowing mounting on exact 4' and 8' centers. The ends are die-cast aluminum in "spade" configuration - "bullnose" option available. Consists of a reflector, lamp holder and ballast bracket. A computer designed optical system configured to maximize the output efficiencies of T5 lamps.

### ORDERING DATA

### EXAMPLE: LI 2 28TAN WH MV BN

LI				WH						
Series	Size	Lamp Size		Voltage		Options	Configuration			
LI	2	2 Lamp	28	T5	46"	MV	120-277VAC	Blank	Cable kit w/ 4' cable & power feed, cable incl. w/ white canopy	Blank Individual
(standard perforated)	3	3 lamp*	28TAN	T5	2-46" tandem	Multivolt		HC301WH5W	Cable kit w/ 4' cable & power feed, 0-10V dimming, cable incl. w/ white canopy (5 wire)	-B Beginner Run
LIS			32	T8	48"	PMV	Program Multivolt	HC302WH	Cable kit w/ 12' cable & power feed, cable incl. w/ white canopy	-E Ender Run
(slotted louver)		*Only available in T5/T5HO	32TAN	T8	2-48" tandem	DMV	Dimming Multivolt	HC302WH5W	Cable kit w/ 12' cable & power feed, 0-10V dimming, cable incl. w/ white canopy (5 wire)	-J Joiner
LIB			54	T5HO	46"		0-10V Dimming			
(baffled louver)			54TAN	T5HO	2-46" tandem	R120	Residential 120V			

#### Finish

- WH White (Std)
- BK Black
- BZ Bronze
- IN Iron
- RD Red
- SL Metallic Silver

Ballast			
Manufacturer	Standard - Leave Blank if no preference	High Efficiency Instant Start	High Efficiency Program Start
Advance (A)	Centium ICN (A)	Optanium (AL, AN, AH)	Optanium PS (APL, APN, APH)
GE (G)	Proline GE (G)	UltraMax (GL, GN, GH)	UltraStart (GPL, GPN, GPH)
Osram/Sylvania (S)	Quicktronic Pro (S)	Quicktronic QHE (SL, SH, SH)	ProStart (SPL, SPN, SPH)
Universal (U)	ULT STD Electronic (U)	HP Electronic (UL, UN, UH)	Accustart (UPI, UPN, UPH)

Code No.	Description
A	Advance
G	GE Ballast
L	Lutron
S	Sylvania Ballast
U	Universal

Options	Configuration
Blank	Blank Individual
HC301WH5W	-B Beginner Run
HC302WH	-E Ender Run
HC302WH5W	-J Joiner
BN	
B1	T8/T5 1L 500 Lumens Battery Backup (B11)
B2	T8/T5 1L/2L 700 Lumens Battery Backup (B48)
B3	T8/T5 1L/2L 1400 Lumens Battery Backup (B223)
B51	T5HO 1L 500 Lumens Battery Backup (B625)
B52	T5HO 1L 800 Lumens Battery Backup (B585)
B53	T5HO 1L 1300 Lumens Battery Backup (B626)
OS	Occupancy Sensor
11	Dual Ballasts 1 Lamp + 1 Lamp
21	Dual Ballasts 2 Lamp + 1 Lamp
22	Dual Ballasts 2 Lamp + 2 Lamp
31	Dual Ballasts 3 Lamp + 1 Lamp
L841	Lamps installed 841K
L835	Lamps installed 835K
RIF	Radio Interference Filter
TR	Silver MIRO 4 Reflector
<b>Plug in Options:</b>	
PI1	3 wire harness, including white, black, and green
PI2	4 wire harness, including white, black, green, and blue for emergency battery backup
PI3D	5 wire harness, including white, black, green, violet, and gray

Dimensions and specifications subject to change without notice.

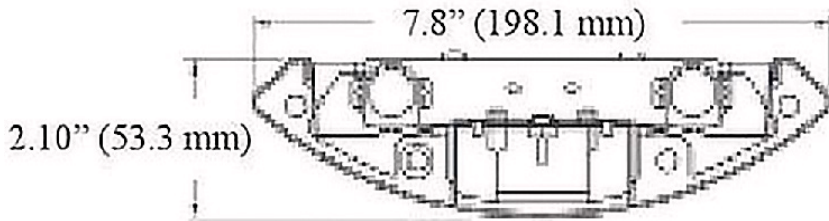


◆ 800-444-WATT ◆ www.mobern.com ◆  
8200 Stayton Dr., Ste. 500, Jessup, MD 20794

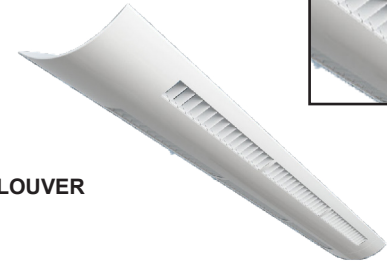
CAT#	
JOB NAME	
TYPE	

**DIMENSIONS**

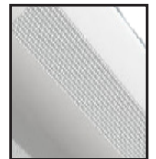
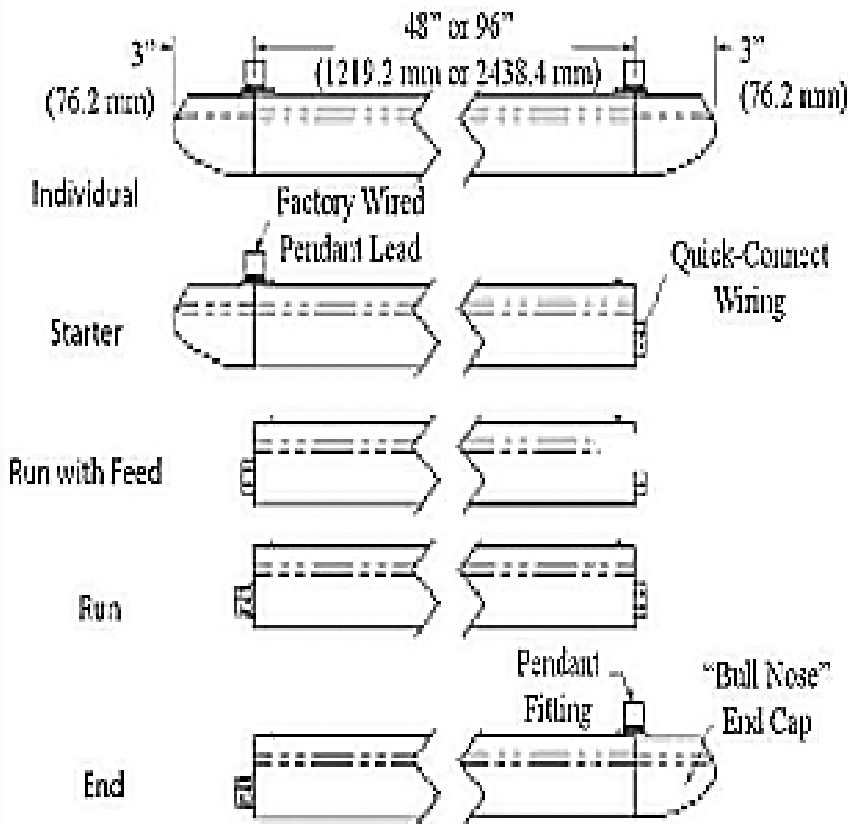
**END VIEW**



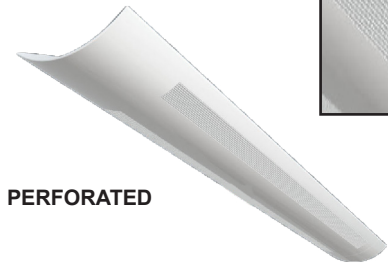
**LOUVER**



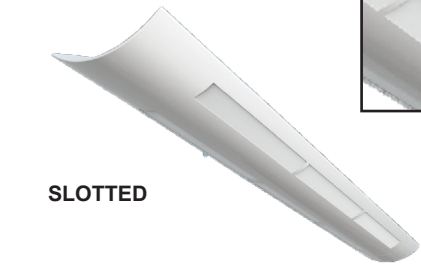
**SIDE VIEW**



**PERFORATED**



**SLOTTED**



Dimensions and specifications subject to change without notice.



◆ 800-444-WATT ◆ www.mobern.com ◆  
8200 Stayton Dr., Ste. 500, Jessup, MD 20794

CAT#	
JOB NAME	
TYPE	