



JOB NAME:

CAT#:

TYPE:

### ILLUMINATION

- Long lasting, efficient, ultra bright white LED lamp heads
- 3.6 watt (3 LEDs x 1.2 watt) per head
- Adjustable LED lamp heads provide optimal center-to-center spacing
- Long-life, energy efficient red or green LED exit sign

### ELECTRICAL

- Dual 120/277 voltage
- Unique bi-color LED indicator light alerts occupant on battery condition (green-normal, red-check battery)
- 6V long life, maintenance-free, rechargeable NiCd battery
- Internal solid-state transfer switch automatically connects the internal battery to the lamp heads for minimum 90-minute emergency illumination.
- Fully automatic solid-state, two rate charger initiates battery charging to recharge a discharged battery in 24 hours.



### MOUNTING

- Die-cast aluminum mounting canopy included for top or end mount
- Universal knockout pattern on back plate for wall mount

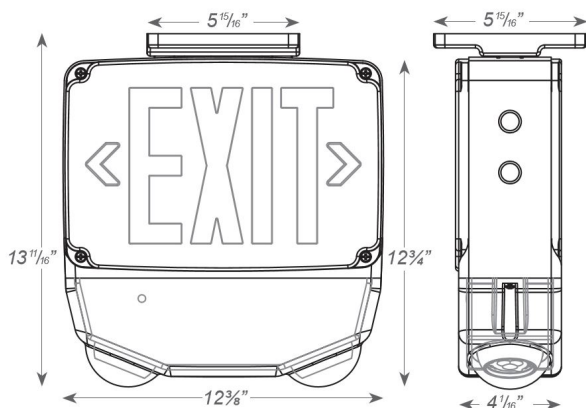
### HOUSING

- 5VA flame retardant, UV stabilized polycarbonate in white, black, or gray finish
- High-impact resistant, UV stabilized polycarbonate clear lens
- Corrosion resistant enclosure with engineering grade silicone gasket
- Knockouts's provided for conduit feed applications
- EZ snap-out chevron directional indicators

### WARRANTY/LISTING

- Five year warranty on all electronics and housing. Battery prorated for 5 years
- Meets UL924, NFPA 101 Life Safety Code, NEC, OSHA, Local and State Codes
- UL listed for wet locations (0°C-50°C)
- Certified to CEC under Title 20 regulations

### DIMENSIONS



Dimensions and specifications subject to change without notice.





JOB NAME:

CAT#:

TYPE:

**ORDERING**

EXAMPLE: CWLEZXTEU 1 R W RC TP

**CWLEZXTEU**

1. MODEL	2. # OF FACES	3. LETTER COLOR	4. HOUSING COLOR	5. REMOTE CAPACITY (O)¹	6. DIAGNOSTICS (O)¹
CWLEZXTEU	1	Single Face	<b>R</b> Red	<b>RC</b> Remote Capacity	<b>SDT</b> Self-Diagnostics
	2	Double Face	<b>G</b> Green		
7. TAMPERING (O)¹			8. WEATHER (O)¹	9. WORDING (O)¹	
<b>TP</b> Tamper-proof			<b>CW</b> Cold Weather	<b>CUSTOM</b> Custom Wording	

**Notes:**  
¹(O) is optional

Dimensions and specifications subject to change without notice.

