



**JOB NAME:**

**CAT#:**

**TYPE:**

## APPLICATIONS

The SPS inverter system is designed to provide 220/250VA of emergency power to incandescent, fluorescent, induction and/or LED fixtures. The SPS unit provides clean, sinusoidal AC output power allowing it to be remotely mounted up to 1,000 feet away from the controlled fixture(s). Unlike a ballast fluorescent emergency pack, the SPS provides power to the input side of the fixture (including the ballast) eliminating any chance of incompatibility. The SPS is designed primarily for surface mounting; however, the SPS-55/125 and SPS-110/125 models provide optional housings for recessed or ceiling T-Grid mounting if required. All SPS systems will provide emergency power output for a minimum of 90 minutes.

## FEATURES & BENEFITS

- Sinusoidal output eliminates compatibility problems
- Universal 120/277VAC, 60Hz input/output
- Unit capacities of 220W/250VA
- "Soft Start" design reduces fixture inrush current
- Unit may be installed up to 1,000 feet from controlled fixture(s)
- Lumen output from fixture is 100% of nominal
- Unique design eliminates compatibility problems with LED drivers as well as fluorescent ballasts
- Compatible with dimming ballasts
- Surface, recessed, or T-Grid mountable
- Normally-ON and/or Normally-OFF load output
- Provisions for local switching capability - always on during emergency conditions regardless of local switch position
- Emergency fixtures can be ON, OFF, or SWITCHED
- Solid-state line latched low voltage disconnect provides protection against battery deep discharge
- Momentary test switch,
- AC-ON, Charge-ON, and Inverter-ON LED indicators

\*Consult factory for compatibility for other lamp types

## ILLUMINATION

- Mini-electrical inverter systems for powering up to 220W/250VA of incandescent, fluorescent, induction, or LED lighting loads. Pulse width modulated (PWM) output design provides clean, 60Hz sinusoidal emergency power to loads
- Models are available for surface, recessed, or T-Grid mounting as required

## ELECTRICAL

### Input

- Input Voltages: Universal 120 or 277VAC  $\pm 10\%$
- Input Frequencies: 60Hz  $\pm 2\%$
- Input Protection: AC line fuses

### Output

- Output Voltages: (60Hz) 120 or 277VAC
- Efficiency Rating: 98% at full rated load (line)
- Waveform: Sinusoidal (digitally controlled)
- Static Voltage:  $\pm 5\%$  during battery discharge 0-100% linear load
- Output Frequencies: 60Hz  $\pm 0.3\text{Hz}$  during emergency cycle
- Output Distortion: Less than 3% THD (linear load)
- Transfer Time: less than 1.0 second
- Load Power Factor Range: 0.44 lead to 0.44 lag
- Minimum Loading: 0% of rated system capacity
- Output Protection: Line and inverter fuses



## HOUSING

- Heavy duty steel cabinet is finished in white baked-on powder paint providing scratch and corrosion resistance
- Optional special color paint (-SP) finishes are available (consult factory)

## MOUNTING

- **Surface Mount** (standard models): surface mount models are designed for mounting to walls by means of keyhole slots provided in the back of the unit housing
- **Recess Mount** (SPS-55/125 & SPS-110/125 Only): recess models provide recess mounting holes on both sides of the enclosure
- **T-Grid Mount** (SPS-55/125 & SPS-110/125 Only): housing design allows simple drop-in installation between t-grid runs. Safety wires (supplied by others) are required for attachment to building structure

## WIRING

- Connection to an unswitched AC circuit is required by the NEC. Wiring access is provided for by conduit knockouts in the unit housing. SPS-55/125 and SPS-110/125 models also provide knockouts in the back of the housing for rear wiring from standard electrical boxes when surface mounting

## LOAD COMPATIBILITY

- SPS model's clean, sinusoidal AC output will operate incandescent lamps as well as all common fluorescent, and LED lamp types. Consult factory for compatibility with all other lamp types.
- Lighting loads are driven at 100% output for the entire emergency power cycle. This outstanding feature translates into greater occupant egress vision and safety

## WARRANTY/LISTING

- **Unit:** (excluding lamps) full coverage against defects in materials and workmanship for 3 years from date of shipment
- **Battery:** 3 year full warranty plus an additional 7 years of pro-rata coverage
- All models are UL924 listed and meet NFPA 101 Life Safety Code, NEC, OSHA, Local and State Codes. Optional T-Grid models are plenum rated to UL2043 and meet city of Chicago CCEA requirements
- UL listed for damp locations (20°-30°C)
- Optional -CEC models are certified to CEC under Title 20 regulations
- FCC part 15 class B compliant





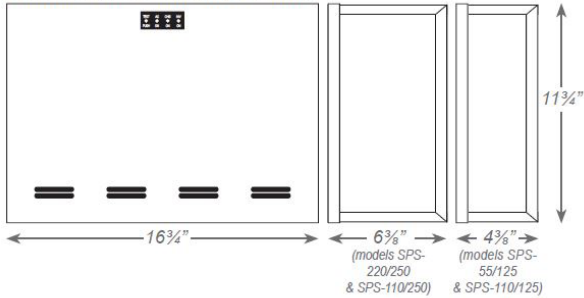
JOB NAME:

CAT#:

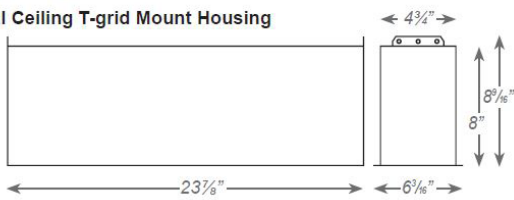
TYPE:

## DIMENSIONS

### Standard Surface Mount Housings



### Optional Ceiling T-grid Mount Housing



## BATTERY

- Battery: Sealed lead calcium (10 year life)
- Battery Voltage: 24VDC for SPS-55/125, SPS-110/125 models, and 48VDC for SPS110/250, SPS220/250 models
- Runtime: 90-minutes standard - based on battery performance at 25°C. Consult factory for other run times.
- Battery Protection: low voltage battery disconnect protects the battery from being severely damaged by deep discharge during prolonged power failures. DC overload and short circuit protection provided by a DC input fuse.

## CHARGER

- Charger Type: Fully automatic, temperature compensated, dual mode charger
- Power Consumption (Charger Only): 15W maximum (2.5W in standby) for SPS-55/125 and SPS-110/125 models; 30W maximum (5W in standby) for SPS-110/250 and SPS220/250 models
- Recharge Duty Cycle: Meets UL924 requirements
- Controls: Momentary test switch, AC-ON, Charge-ON and Inverter-ON LED indicator lights
- Safety Circuitry: AC Lockout prevents battery discharge prior to initial unit power-up. Brownout protection automatically switches the unit to emergency mode when utility voltage is significantly reduced.

## ENVIRONMENTAL

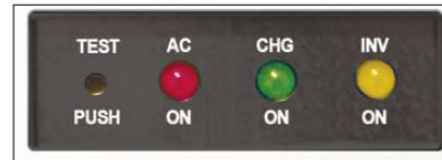
- Altitude: <10,000 feet (3,000m) above sea level without derating
- Operating Temperature Range: 20°C to 30°C  
Note: Optimum system performance between 20°C and 30°C; temperatures outside of this range will affect battery performance and life
- Relative Humidity: 95% non-condensing

## OPERATION

Upon failure of the normal utility power the SPS unit is automatically turned on by a solid state switching circuit and provides a minimum of 90 minutes of emergency power to the connected load. The lumen output will be maintained at 100% of the lamp's rating throughout the entire duration.

A solid state, low voltage disconnect circuit is used to protect the battery from being severely damaged by a deep discharge. When normal utility power is restored, the unit switches the load back to normal utility operation and the fully automatic, temperature compensated, dual mode charger begins to restore the battery, bringing it to full charge within UL924 specified parameters. A brownout sensing circuit insures proper operation during the "low line" conditions.

## SYSTEM STATUS MONITORING PANEL



All SPS systems provide a monitoring panel on the front of the unit to show operating status at all times. The panel provides a test switch for user initiated system tests and a 3-LED array that provides an intuitive visual indication of unit readiness.

## IMPROVED AESTHETICS

The SPS system's sinusoidal AC output design eliminates voltage drop and proximity concerns. This allows added flexibility in installation location as SPS units can be installed hundreds of feet from the units they power. This means SPS units can be located conveniently out of sight in closets or utility rooms without interrupting architectural aesthetics.

In lighting applications, no special or additional emergency fixtures are necessary. Simply designate and connect existing lighting fixtures, either interior or exterior, to the SPS unit for emergency operation eliminating the need for exposed, stand-alone emergency luminaires.

## SPS SYSTEM ADVANTAGES

Compared to traditional discrete emergency lighting units, the SPS provides emergency illumination from a single power source resulting in lower maintenance overhead and routine testing expenses. SPS units lower installation costs by powering existing lighting fixtures during emergencies. Because connected fixtures are driven at full brilliancy, they provide far superior egress lighting and deliver improved occupant safety.



JOB NAME:

CAT#:

TYPE:

**ORDERING**

Model Number	Input/Output Voltage	Capacity for 90 min. (Watts/VA)	System Weight*		Online System Efficiency (Full Load)	Number of Batteries	Battery Voltage (VDC)	Battery Current (Amps)	AC Input Current (MAX)		Thermal Output (BTUs)	
			Lbs.	Kg.					120VAC	277VAC	Standby	Emergency
SPS-55/125	120/277	55/125	30.0	14	98%	2	24	3.4	1.2	0.52	7	32
SPS-110/125	120/277	110/125	42.0	17	98%	2	24	5.7	1.2	0.52	7	47
SPS-110/250	120/277	110/250	45.2	21	98%	4	48	3.3	2.4	1.10	31	22
SPS-220/250	120/277	220/250	60.0	27	98%	4	48	5.6	2.4	1.10	31	35

\*System weights shown include installed batteries

**SYSTEM OPTIONS:<sup>1,2</sup>**

Add Suffix	Description
-S	Surface Mount Housing
-R	Recess Mount Housing <sup>3</sup>
-T	Plenum Rated Ceiling T-Grid Mount Housing <sup>3</sup>
-SP	Special Housing Color (Specify)
-4C	4 Output Circuit Switching
-RTS	Remote Test Switch Panel
-AO	Adjustable Output/Dimmer Bypass
-SDT	Self-Testing / Self-Diagnostics
-CEC	Title 20 Compliant

**Notes:**

<sup>1</sup>Other options available, consult factory

<sup>2</sup>Some options may impact UL listing, consult factory

<sup>3</sup>Available with SPS-55/125 and SPS-110/125 models only

**SUGGESTED SPECIFICATIONS**

An inverter system with sinusoidal output shall be supplied capable of powering any combination of lighting fixtures including incandescent, fluorescent, induction, and/or LED light sources without compatibility problems.

The system shall transfer in less than 1.0 second to reliably back up lighting fixtures without loss of illumination and operate any and all connected lighting fixtures at full lumen output during the complete 90-minute discharge cycle.

The input voltage shall be the same as the output voltage and shall be single phase 120/277 volts, 60Hz. Output capacity will be (55/125VA) / (110W/125VA) / (110W/250VA) / (220W/250VA) for a minimum duration of 90-minutes.

The design shall be standby, off-line inverter with on-line efficiency of 98%; on-line double conversion UPS systems shall not be considered acceptable alternatives. SPS system output shall be PWM generated sine wave with less than 3% total harmonic distortion with "Soft Start" design reducing fixture inrush current. The system shall also provide short circuit and overload protection as standard.

An intuitive three LED display shall provide system operational information at a glance and alert user to any malfunction in system performance. Authorized maintenance personnel shall have access to the system's controls while being protected from any live exposed connections.

Protective devices shall include AC line fuses, DC input breaker and DC input fuse. The entire SPS system, including batteries, shall be provided in compact cabinetry which shall have provisions for surface, recessed, or T-Grid mounting.

System shall be capable of providing up to 4 switch bypass circuits, adjustable output or 2.5 to 10 volt dimmer bypass and self-test/self-diagnostics were necessary.

System shall utilize a sealed lead calcium battery with a 10 year design life. The charger shall be temperature compensated, dual mode type, and recharge the batteries as per UL924 guidelines. Entire system shall be tested, approved, and labeled to UL924 Emergency Lighting and Power Systems standards. T-Grid models will be plenum rated.



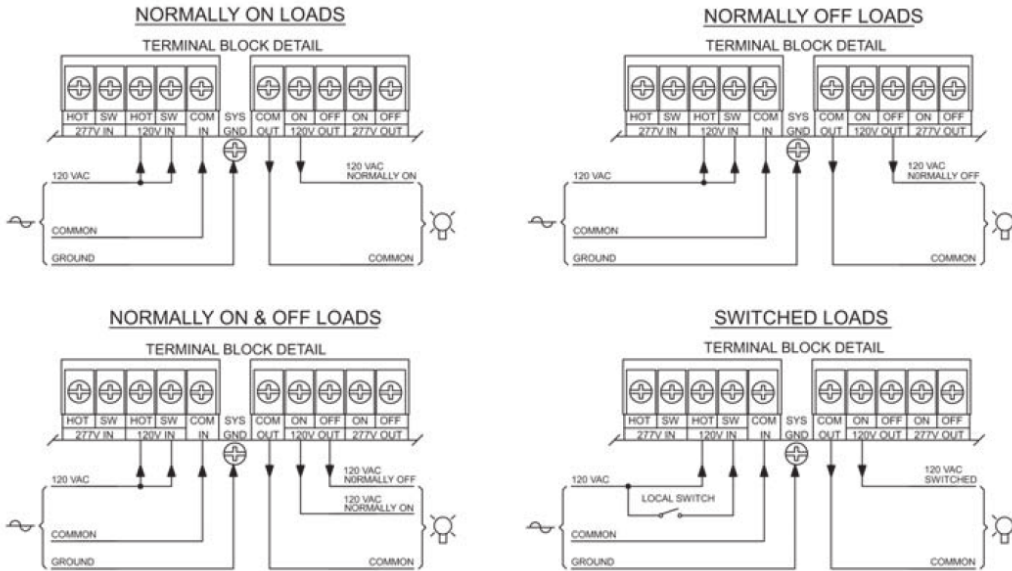
JOB NAME:

CAT#:

TYPE:

**WIRING DIAGRAMS**

**120VAC Connections**



**277VAC Connections**

