



JOB NAME:

CAT#:

TYPE:

## ILLUMINATION

- Two fully adjustable 5.0 watt, MR-16 halogen lamp heads standard
- High performance MR16 halogen lamps with smooth metallized reflector and glass lens for optimal light distribution

## ELECTRICAL

- Dual 120-277 voltage
- Charge rate/power "ON" LED indicator light and push-to-test switch for mandated code compliance testing.
- LVD (low voltage disconnect) prevents battery from deep discharge
- 6V, maintenance-free, rechargeable sealed lead acid battery
- Offers 10W of remote capacity (6V DC output) when using standard 5W halogen lamps and 13W of remote capacity (6V DC output) when using optional 3.3W LED lamps
- Internal solid-state transfer switch automatically connects the internal battery to the lamp heads for minimum 90-minute emergency illumination.
- Fully automatic solid-state, two rate charger initiates battery charging to recharge a discharged battery in 24 hours.



## MOUNTING

- Universal knockout pattern on back for wall mount
- Knockouts for conduit feed applications

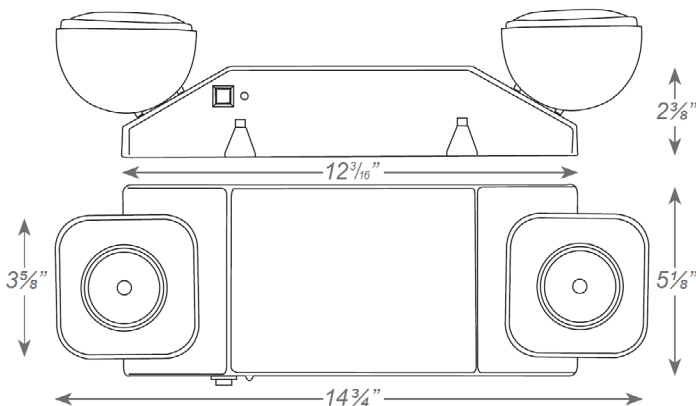
## HOUSING

- Injection-molded, engineering grade, 5VA flame retardant, high-impact resistant, thermoplastic in white or black finish

## WARRANTY/LISTING

- Five year warranty on all electronics and housing. Battery prorated for 2 years
- Meets UL924, NFPA 101 Life Safety Code, NEC, OSHA, Local and State Codes
- UL listed for dry locations (25°C)

## DIMENSIONS



Dimensions and specifications subject to change without notice.





JOB NAME:

CAT#:

TYPE:

**ORDERING**

EXAMPLE: R-16-HO

**R-16-HO**

1. MODEL	2. HOUSING COLOR	3. DIAGNOSTICS (O) <sup>1</sup>	4. LAMPING (O) <sup>1</sup>
R-16-HO	(blank) White B Black	SDT Self-Diagnostics	LED 3.3W high lumen white LED lamps <sup>2</sup> PLED 5.0W high lumen white LED lamps <sup>2</sup>

**Notes:**

<sup>1</sup>(O) is optional

<sup>2</sup>Not available with SDT option

Dimensions and specifications subject to change without notice.

