



JOB NAME:

CAT#:

TYPE:

### APPLICATIONS

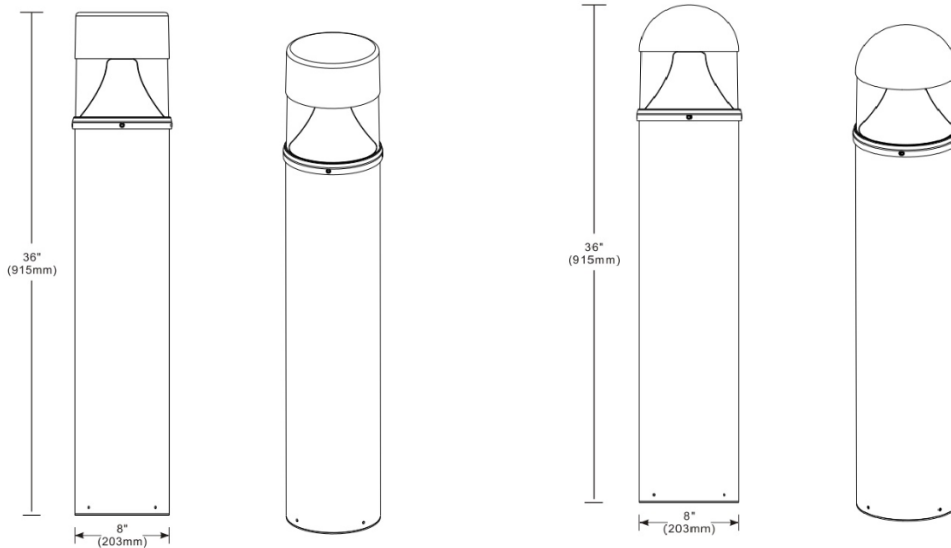
This attractive 8" diameter bollard features an aluminum construction housing providing corrosion and vandal resistance. A solid foundation withstands the elements, and driver options work in even the worst weather conditions. It is ideal for lighting pedestrian walkways, as well as accenting the exterior grounds of office, apartment buildings, hotels, and parks.

### FEATURES & BENEFITS

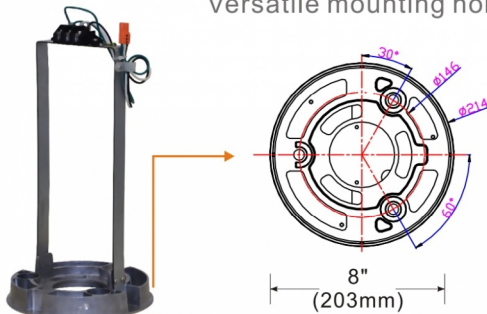
- Min CRI 70
- Extruded aluminum alloy body
- Standard 4kV surge
- High-impact polycarbonate diffuser
- Bronze finish
- Type V distribution
- Operating temperature: -40°C ~ +50°C
- cUL<sub>US</sub> listed for wet locations



### DIMENSIONS



Versatile mounting holes



Dimensions and specifications subject to change without notice.



JOB NAME:

CAT#:

TYPE:

**ORDERING**

EXAMPLE: GRPL-10A 018 UNV 7 50 XS C

**GRPL-10A**

1. SERIES	2. WATTAGE/LUMENS	3. INPUT VOLTAGE	4. CRI	5. COLOR TEMP	6. SURGE OPTION (O)	6. FEATURE
<b>GRPL-10A</b> Commercial Grade 8" Bollard	<b>018</b> 18 Watts 2035 Lumens <b>036</b> 36 Watts 3960 Lumens	<b>UNV</b> 120-277V	<b>7</b> 70+	<b>40</b> 4000K <b>50</b> 5000K	<b>XS</b> 10kV Surge <b>2S</b> 20kV Surge	<b>C</b> Cylinder <b>S</b> Sphere

Dimensions and specifications subject to change without notice.