



**JOB NAME:**

**CAT#:**

**TYPE:**

### APPLICATIONS

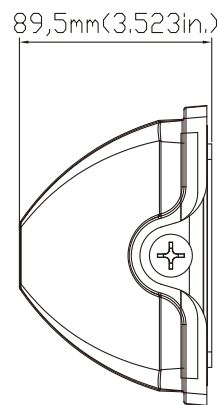
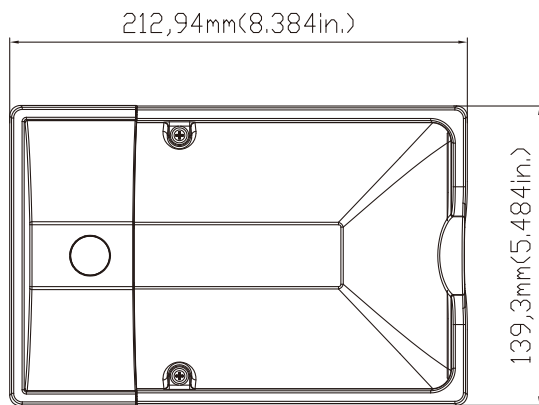
Perfect for security, entry ways, stairways, storage and perimeter areas, as well as residential exteriors. Sealed die-casting profile for outdoor applications. Consumes 17W to replace 120W Incandescent, 25W to replace 50W HID. Lumen output from 1900-2700lm. Polycarbonate optical lens with UV stabilizers for choosing Supports direct wall mounting and J-box mounting, with 1/2 inch entry at the bottom. Built-in UL class 2 driver, and 120V/277V photocell. UL Wet location listed.

### FEATURES & BENEFITS

- Fits junction box/wall mount directly
- 5000K color temperature
- Polycarbonate lens
- CRI >80 (90 CRI available)
- >50,000 hrs of L70 LED life
- UL Wet Location listed
- 5 year warranty



### DIMENSIONS



Dimensions and specifications subject to change without notice.



**JOB NAME:**
**CAT#:**
**TYPE:**

## ORDERING

MISMRWPK-LED-25-MV-50-PC-CL

**MISMRWPK**
**LED**
**1. SERIES**
**MISMRWPK**
**2. GEAR**
**LED**
**3. WATTAGE/LUMENS**
**17** 17 Watts 2000 Lumens  
**25** 25 Watts 2700 Lumens

**4. DRIVER**
**MV** 120-277V  
 Multivolt

**5. COLOR TEMP**
**40** 4000K  
**50** 5000K

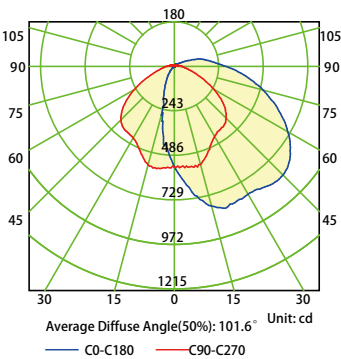
**6. PHOTOCELL**
**PC** Photocell

**7. LENS**
**CL** Clear

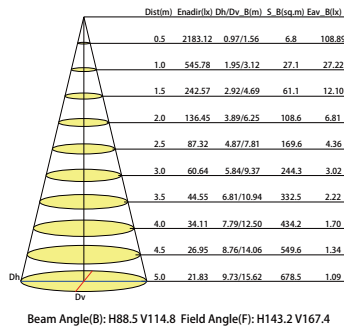
## PHOTOMETRICS

MISMRWPK-LED-17-MV-50

## Luminous Intensity Distribution Curve

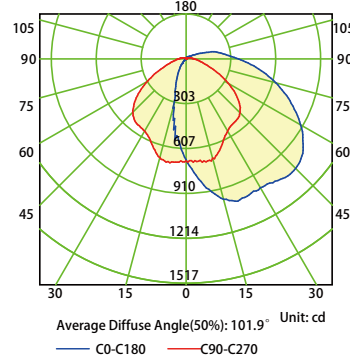


## Illuminance at a Distance

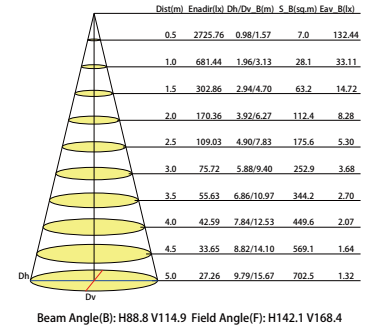


MISMRWPK-LED-25-MV-50

## Luminous Intensity Distribution Curve



## Illuminance at a Distance



Dimensions and specifications subject to change without notice.

