



JOB NAME:

CAT#:

TYPE:

APPLICATIONS

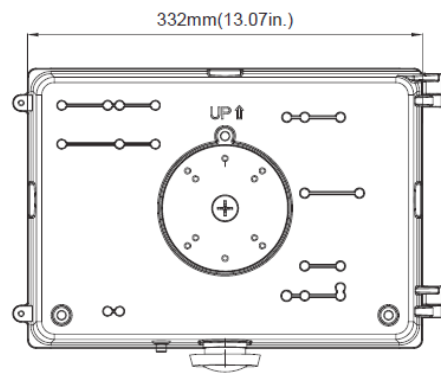
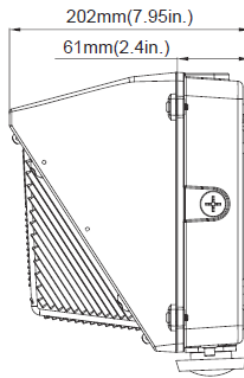
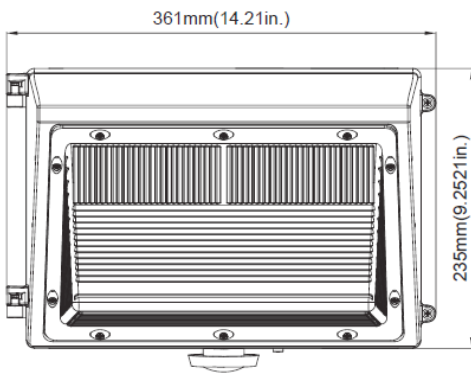
The MIMDWPKSR LED Wall Pack is ideal for security, accent and perimeter lighting. Applications include entrance ways, garages, and commercial buildings. Housing is die-cast aluminum body with a standard bronze finish.



FEATURES & BENEFITS

- Heavy Duty Die Cast Aluminum Housing
- Min CRI 70
- Ambient operating temperature -40°C to 40°C (-40°F to 104°F)
- Bronze powder-coat finish
- Optional photocell and motion sensor
- Supports emergency battery
- Polycarbonate optical lens with UV stabilizers
- cUL_{us} listed for wet locations

DIMENSIONS



Dimensions and specifications subject to change without notice.





JOB NAME:

CAT#:

TYPE:

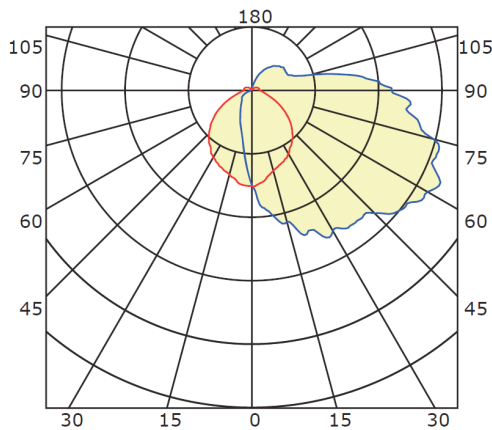
ORDERING

MIMDWPKSR LED 45 DMV BZ 40 EM S PC

MIMDWPKSR LED

1. SERIES	2. GEAR	3. WATTAGE/LUMENS	4. DRIVER	5. FINISH ¹	6. COLOR TEMP	7. EMERGENCY(O) ²	8. SENSOR(O) ³
MIMDWPKSR	LED	45 45 Watts 5300 Lumens 70 70 Watts 8100 Lumens	DMV 120-277V Multivolt 0-10V Dimmable	BZ Bronze	40 ² 4000K 50 5000K	EM Emergency Battery Backup	OS Occupancy Sensor
9. PHOTOCELL(O)³							
PC	Photocell						

PHOTOMETRICS



Average Diffuse Angle(50%): 103.0°

Notes:

- ¹Consult for other options
- ²Special Order
- ³O is Optional



Dimensions and specifications subject to change without notice.