



JOB NAME:

CAT#:

TYPE:

### APPLICATIONS

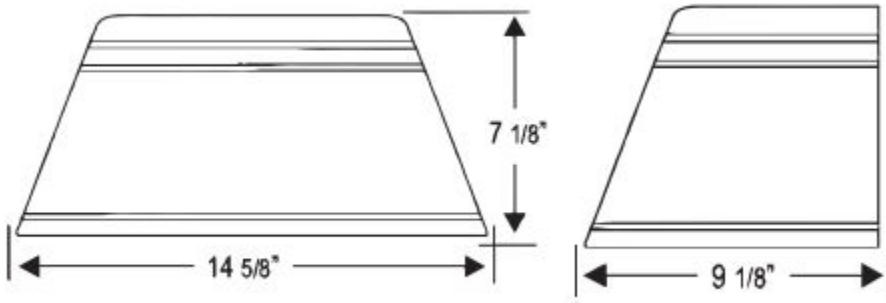
The DCST-LED trapezoid wall pack is part of the Mobern Patriot series of Buy American Act compliant fixtures, and is ideal for security, accent, and perimeter lighting. Applications include entrance ways, garages, tunnels, walkways, bridges, loading docks, and commercial buildings.

### FEATURES & BENEFITS

- Heavy Duty Die Cast Aluminum Housing
- Impact resistant glass lens
- Can be surface mounted over an existing 4" outlet box with a 4"x4" gasketed wall plate
- PF >0.90, THD <20
- cETL<sub>us</sub> Listed
- IP65 rated for exterior environments
- 5 year warranty



### DIMENSIONS



Dimensions and specifications subject to change without notice.





JOB NAME:

CAT#:

TYPE:

**ORDERING**

EXAMPLE: DCST 24W 50K BZ EM MS D1

**DCST**

1. MODEL	2. WATTAGE	3. COLOR TEMP	4. HOUSING COLOR <sup>1</sup>	5. EMERGENCY(O) <sup>2</sup>	6. SENSOR(O) <sup>2</sup>
<b>DCST</b>	<b>12W</b> 12 Watts 1686 Lumens	<b>27K</b> 2700K	<b>BZ</b> Bronze (Standard) <b>WH</b> White <b>BL</b> Black <b>SL</b> Silver <b>CC</b> Custom Color	<b>EM</b> Emergency Battery Pack	<b>MS</b> Motion Sensor <b>MS-DS2</b> Motion Sensor w/ Bi-Level Dimming
	<b>24W</b> 24 Watts 3373 Lumens	<b>30K</b> 3000K			
	<b>36W</b> 36 Watts 4572 Lumens	<b>35K</b> 3500K			
	<b>48W</b> 48 Watts 6096 Lumens	<b>40K</b> 4000K			
	<b>60W</b> 60 Watts 7620 Lumens	<b>50K</b> 5000K			
	<b>72W</b> 72 Watts 9144 Lumens	<b>55K</b> 5500K			

\*Lumens at 5000K

**7. DRIVER (O)<sup>2</sup>**

- D1** 0-10V Dimming<sup>3</sup>
- D2** Step Dimming 120V Only<sup>3</sup>
- V1** 480/347V Input (120-277V Standard)<sup>3,4</sup>

**Notes:**

<sup>1</sup>Colors other than bronze will be an additional cost, longer lead time, and must be a minimum order quantity of 5 pieces

<sup>2</sup>(O) is optional

<sup>3</sup>Additional cost

<sup>4</sup>Not available with motion sensor

Dimensions and specifications subject to change without notice.

