



JOB NAME:

CAT#:

TYPE:

### APPLICATIONS

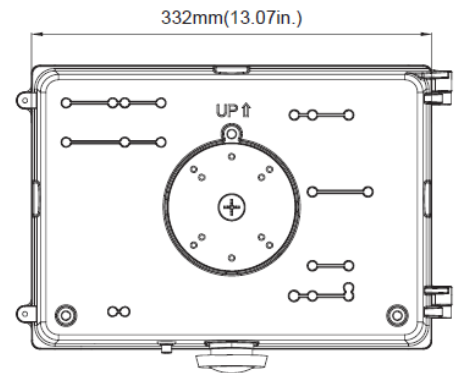
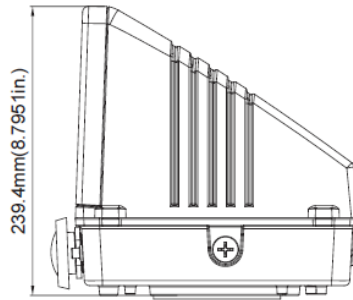
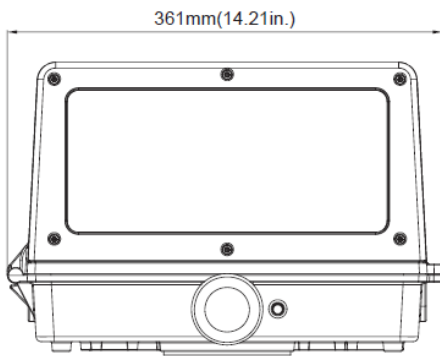
The MIMDCOWPKSR LED Wall Pack is ideal for security, accent and perimeter lighting. Applications include entrance ways, garages, and commercial buildings. Housing is die-cast aluminum body with a standard bronze finish.

### FEATURES & BENEFITS

- Heavy Duty Die Cast Aluminum Housing
- Min CRI 70
- Ambient operating temperature -40°C to 40°C (-40°F to 104°F)
- Bronze powder-coat finish
- Optional photocell and motion sensor
- Supports emergency battery
- Polycarbonate optical lens with UV stabilizers
- cUL<sub>us</sub> listed for wet locations



### DIMENSIONS



Dimensions and specifications subject to change without notice.





JOB NAME:

CAT#:

TYPE:



**ORDERING**

MIMDCOWPKSR LED 45 DMV BZ 40 EM OS PC

**MIMDCOWPKSR LED**

1. SERIES	2. GEAR	3. WATTAGE/LUMENS	4. DRIVER	5. FINISH <sup>1</sup>	6. COLOR TEMP	7. EMERGENCY(O) <sup>2</sup>	8. SENSOR(O) <sup>3</sup>
MIMDCOWPKSR	LED	45 45 Watts 6400 Lumens	DMV 120-277V Multivolt 0-10V Dimmable	BZ Bronze	40 <sup>2</sup> 4000K 50 5000K	EM Emergency Battery Backup	OS Occupancy Sensor
<b>9. PHOTOCELL(O)<sup>3</sup></b> PC Photocell							

**Notes:**  
<sup>1</sup>Consult for other options  
<sup>2</sup>Special Order  
<sup>3</sup>O is Optional

**PHOTOMETRICS**

