



**JOB NAME:**

**CAT#:**

**TYPE:**

### APPLICATIONS

This value-priced recessed channel outperforms typical troffers and strip fixtures by maximizing comfortable, glare-free light levels for general merchandising environments. Available for individual or continuous runs (with no additional parts required).

### CONSTRUCTIONS

Housing is die-formed and embossed code 22 gauge steel. Finish is high reflectance baked white enamel.

### MOUNTING

For recessed mounting in all T-grid ceiling types, 1" or 9/16" grid sizes. Preferred ceiling to have main tees on one-foot centers with cross tees at 4ft. or 8ft. spacing depending on modules used. All units are designed for individual or row mounting; no additional parts needed. Each full end plate has auxilliary suspension points to facilitate supporting to permanent building structures.



### FEATURES & BENEFITS

- Individual fixture or continuous row mounting(with no additional parts required)
- Post painted powder coat finish in standard white
- Multiple lumen packages/wattages
- 3000K, 3500K, 4000K or 5000K color temperatures
- 80 or 90 CRI
- 50,000 hrs of L70 LED life
- 0-10 volts dimmable 120-277V
- Power factor 0.99
- 5 year warranty





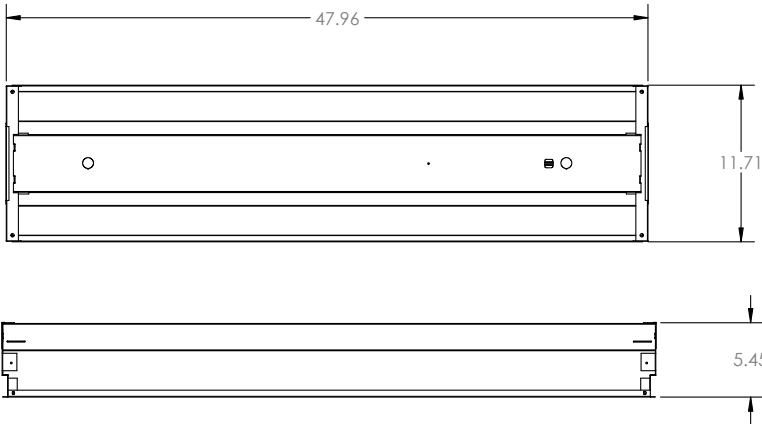
JOB NAME:

CAT#:

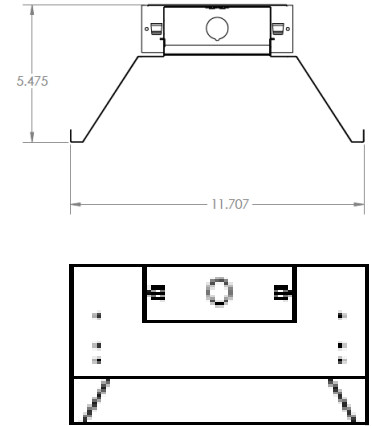
TYPE:

**DIMENSIONS**

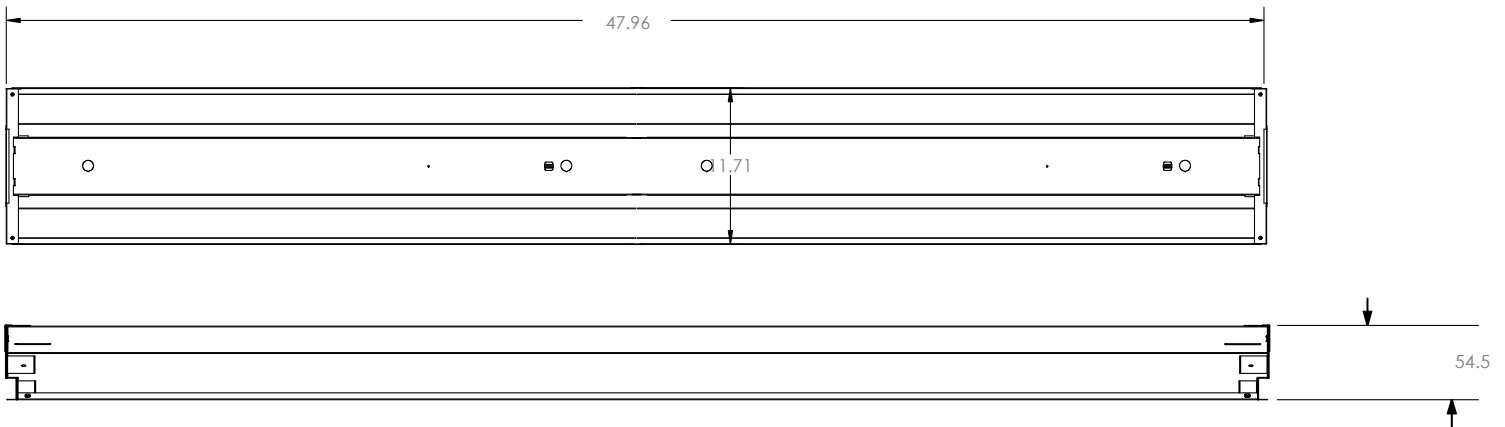
**48L**



**END**



**96L**





JOB NAME:

CAT#:

TYPE:

**ORDERING**

EXAMPLE: **RCS 48 LED 48 DMV 30**

RCS		LED						
1. SERIES	2. SIZE	3. GEAR	4. WATTAGE/LUMENS		5. DRIVER	6. COLOR TEMP		
<b>RCS</b>	48 48"	<b>LED</b>	<b>48</b>		<b>DMV</b> 120-277V Multivolt 0-10V Dimmable	30	3000K	
	96 96"		<b>23</b>	23 Watts		3000 Lumens	35	3500K
			<b>48</b>	48 Watts		6300 Lumens	40	4000K
			<b>96</b>			<b>48</b>	48 Watts	6300 Lumens
<b>85</b>	85 Watts	11000 Lumens	<b>D120</b>	Triac Dimming 120VAC				

7. EMERGENCY (O)'		8. CORD (O)'	
<b>EM</b>	Emergency Battery Pack 10W ~ 1700 lumens	<b>WP</b>	6' 3 Wire Flexible Conduit
<b>EM7</b>	Emergency Battery Pack 7W ~ 1300 Lumens		
<b>EM5</b>	Emergency Battery Pack 5W ~ 850 Lumens		

**Notes:**  
'(O) is optional

**NOTE:** Values shown are typical or recorded under standardized conditions at 25°C. Actual performance may vary based on environment or application. Specifications are subject to change without notice. We reserve the right to change design, materials, LED's and finish in any way that will not alter installed appearance or reduce function and performance.

