

ASP Installation Instructions

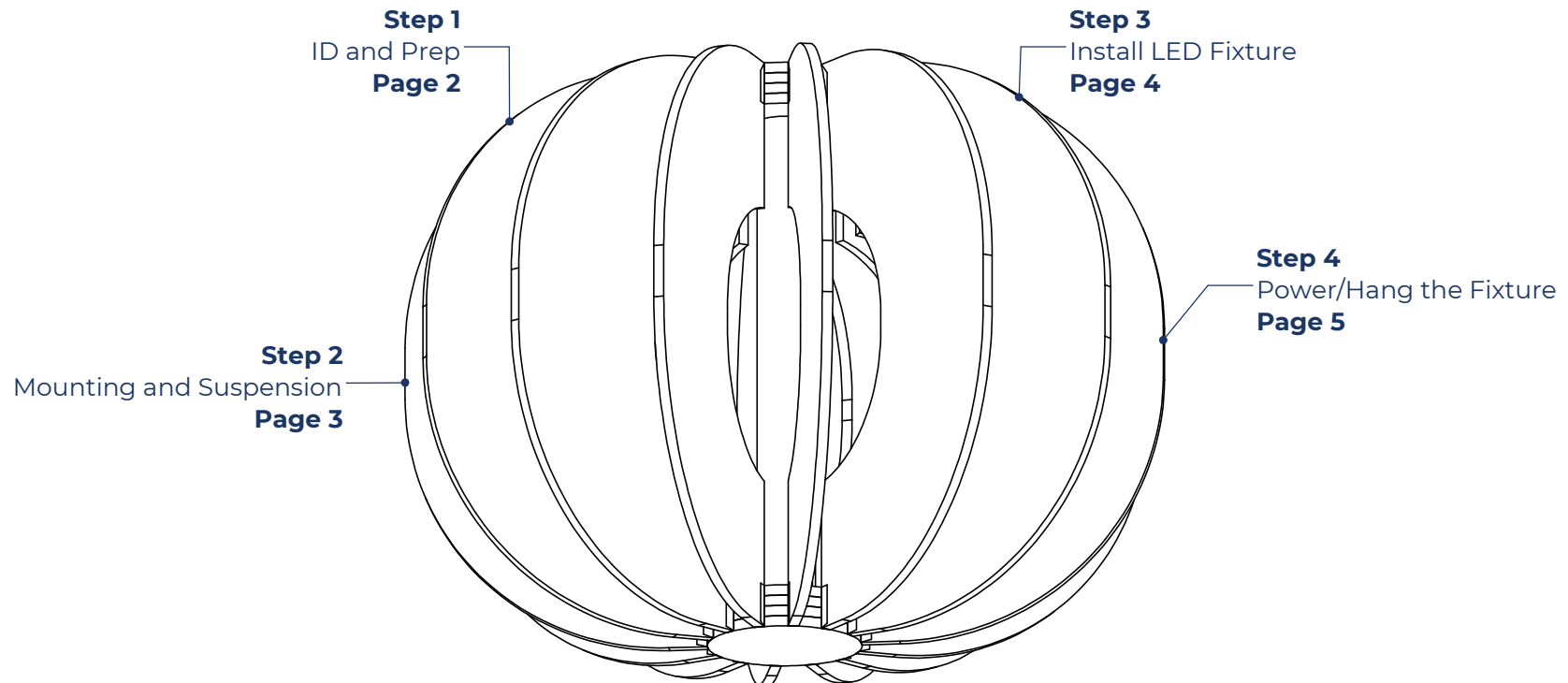
Overview



MOBERN
LIGHTING

WARNINGS

- This product must be installed in accordance with all applicable codes by a person familiar with the product.
- Each fixture must be **properly supported** during install.
- **DO NOT** join fixtures on the floor prior to lifting, or damage will occur.
- **Before beginning installation**, review our complete list of warnings by visiting www.mobern.com/warnings.



Form MCM - MOB-ASP, V1, 11/20

Your particular build may vary.

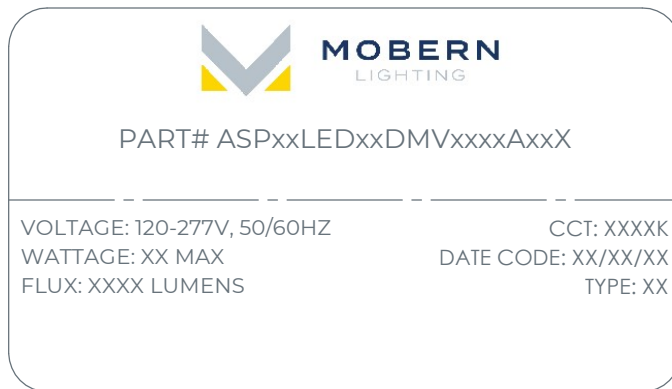
2020© Mobern Lighting Company | 8200 Stayton Dr., Suite 500, Jessup, MD 20794 | www.mobern.com

ASP Installation Instructions

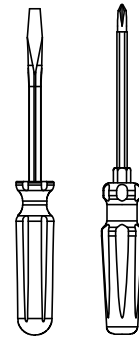
Step 1 - Identification and Preparation



A. Identify Fixtures



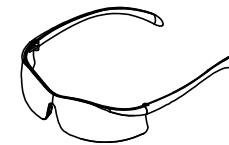
B. Tools Needed



Screwdrivers



Pliers



Safety Glasses

- Use labels found on the box and inside the fixture bodies to identify bodies.
- **NOTE:** Locations of labels can vary.
- Remove all fixtures from their boxes.
- Organize fixtures based on their labels at the install location.

- Always use proper safety equipment when installing fixtures.
- Tools shown are recommended for standard install. Tools needed may vary based on actual install location conditions.

Kitted Hardware

- Mobern has provided the items listed here, with their Saylite part numbers listed. These items can be found in separate boxes shipped with the fixture.
- Ensure all parts are accounted for and set them aside until needed.
- Any additional hardware needed for this installation will be provided by others.

ASP Installation Instructions

Step 2 - Mounting and Suspension



MOBERN
LIGHTING

Mounting

Drywall or other hard surfaces - SAP Hanging Kit

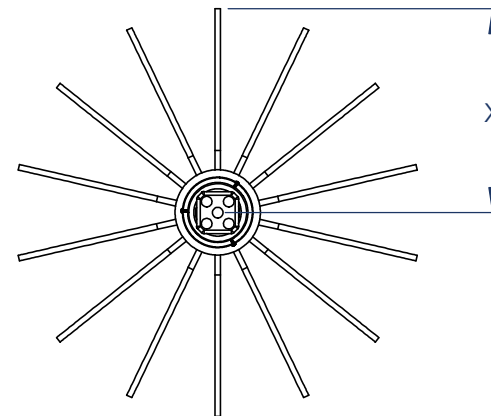
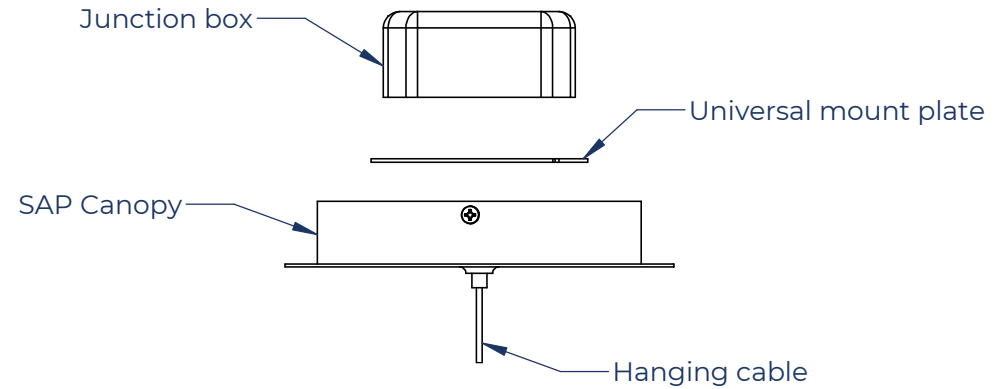
- Install junction box at suspension location.
- Ensure junction box is secure.
- Prepare fixture for mounting.

Other hard surfaces include: wood, sheet metal panels, steel beams, concrete or masonry. Use hardware appropriate for each surface and material type.

Suspension Locations

X = Suspension Dimensions

Refer to Assembly Drawings and building plans to determine exact mounting, suspension points, and power feed locations.



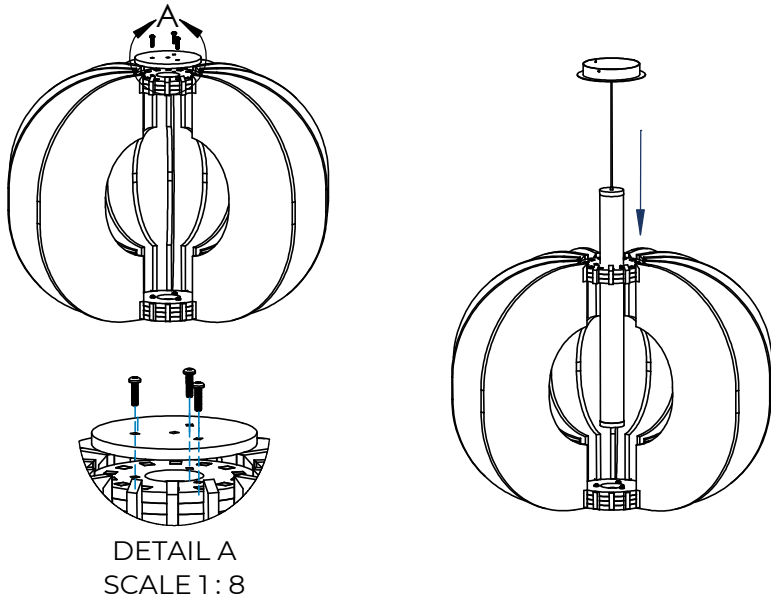
ASP Installation Instructions

Step 3 - Install LED Fixture



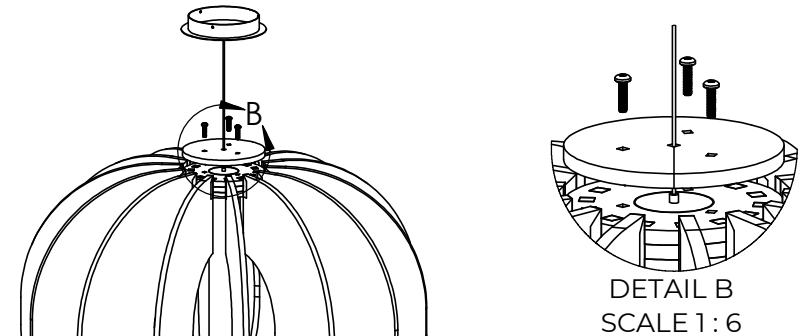
A. Insert LED Fixture

Some Acoustic Fins Removed for Clarity



- Remove the 3 screws from the top hub assembly of the fixture and pull the top layer acoustic disk.
- Insert the LED fixture to the acoustic material assembly and slide the fixture down until it stops at the bottom hub assembly.

B. Secure Top Hub Assembly



- Once the fixture is installed to the acoustic material assembly, replace the top layer acoustic disk.
- Use the screws removed in the previous sub-step to secure the top hub assembly.

ASP Installation Instructions

Step 4 - Power and Hang the Fixture

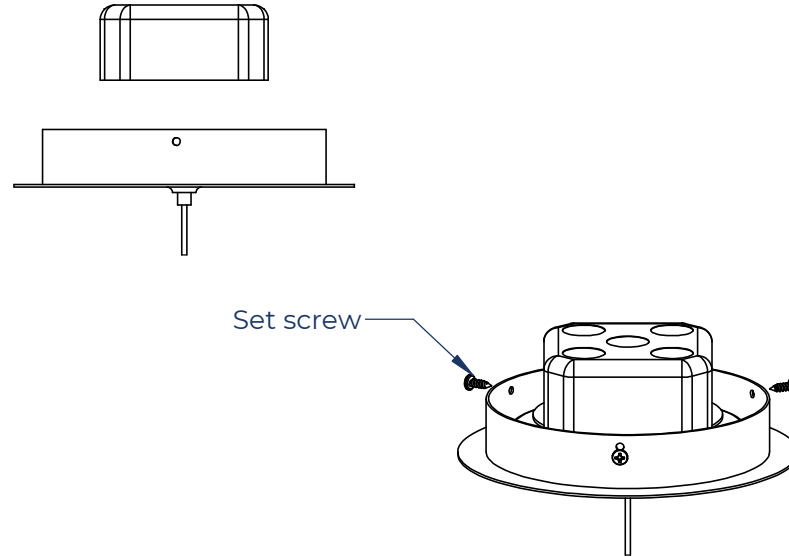


A. Connect Fixture Wiring

WIRING LEGEND		
BLACK	HOT	Line Voltage
WHITE	NEUTRAL	Line Voltage
GREEN	GROUND	
GRAY	DIMMING	0-10V DC
VIOLET	DIMMING	0-10V DC

- Wire fixtures to the incoming power supply.
- For dimming option, refer to wiring legend above.
- Use UL approved connectors only. Follow all local, state and national codes.

B. Hang the Fixture



- Install the junction box at desired location.
- Hang the fixture by attaching the universal mount plate to the junction box.
- The provided set screws must be installed above the universal mount plate, this will help hold the fixture in place.