



Professional Series

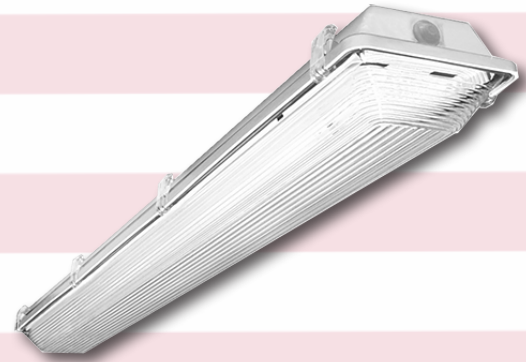
# VW PLED LED Vaportight Fixture

## APPLICATIONS

Introducing the Mobern VW-LED Premium grade enclosed and gasketed vaportight fixture. This Energy-Saving High Performance LED Vaportight is ideal for both indoor and outdoor applications where dust and water resistance is required. Ideal for parking garages, cold storage, marinas, barns, canopies, car washes, poultry farms, agricultural applications and other areas susceptible to corrosive and wet conditions.

## FEATURES & BENEFITS

- ◆ Designed for easy assembly
- ◆ Ease of Installation and Maintenance
- ◆ Visually familiar light sourcing
- ◆ Poured in place gasket seals the enclosures from most hostile environments
- ◆ Economical Mounting System can provide dramatic savings on installation labor, thus reducing costs
- ◆ Very tough diffusers resist breakage and reduce replacement and maintenance costs
- ◆ Available in 2', 4' & 8' lengths.
- ◆ Frosted lens for reducing direct glare and image of the LED
- ◆ Optional durable stainless steel mounting hardware
- ◆ No need to drill through the housing for installation
- ◆ Optional stainless steel bail for chain/cable hung installations
- ◆ CRI-Min 82
- ◆ Calculated Life: L70 ≥54,000 hrs, 113,000 hrs calculated
- ◆ ETL listed for wet location
- ◆ Consult for other options
- ◆ Made with US Steel and plastic
- ◆ BAA/ARRA Compliant



## SPECIFICATIONS

High quality enclosed fiberglass fixture features a unique continuous poured gasket which completely fills channel for maximum seal integrity. Diffuser is held in place with POM retaining latches. Stainless steel latches are recommended for the following applications: agriculture, car washes, food processing and swimming pools. Hole is 7/8" diameter and is provided with a plastic plug on one end for conduit attachment. Offset mounting pads which keeps luminaire level and slightly off of mounting surface are formed within the housing. Standard diffuser is high impact acrylic with textured pattern designed for high efficiency while providing reduced glare. Listed by and bears ETL label.

## ORDERING DATA

EXAMPLE: VW2P-LED22DMVRF40

VW		P		LED		Driver		Lens		Color Temp		Options	
Series	Length	Suffix	Gear	Driver	Lens	Color Temp	Options						
VW LED Vaportight	2' 4' 8'	P (Professional Series)	LED	DMV 120-277 VAC 0-10V Dimmable	RF Ribbed Frosted	30 3000K 35 3500K 40 4000K 50 5000K	CS Cord 18/3 6" OS Occupancy Sensor OSW Occupancy Sensor - Wet Location OSD Occupancy Sensor - 0-10V Dimmable SS Occupancy Sensor - Internal Microwave PC120 Photocell 120V PC277 Photocell 277V EM Emergency Battery Pack 10W ~1300 Lumens EM4F Emergency Battery Pack 4W ~450 Lumens EM5 Emergency Battery Pack 5W ~650 Lumens EM7 Emergency Battery Pack 7W ~900 Lumens						
			Wattage/Lumens										
			22	22W 2560 Lumens									
			22	22W 2560 Lumens									
			37	37W 4645 Lumens									
			37	37W 4645 Lumens									
			74	74W 9295 Lumens									

Values based on ambient temp of 25 degrees celcius and 4000K Lumens are subject to a tolerance ±10%  
Wattage is approximate and subject to a tolerance of ±5%  
Dimensions and specifications subject to change without notice.



◆ 800-444-WATT ◆ www.mobern.com ◆  
8200 Stayton Dr., Ste. 500, Jessup, MD 20794

CAT#	
JOB NAME	
TYPE	

### DIMENSIONS

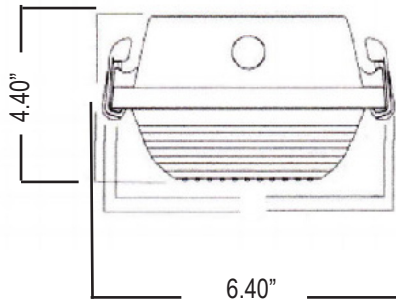
#### Side View

58.8 mm=2.338"



VW2 = 27.7"  
VW4 = 51.7"  
VW8 = 100.0"

#### End View



Size	Operating Temperature Range
2 ft	- 20°C (-4°F) to 39°C (102°F)
4 ft	- 20°C (-4°F) to 35°C (95°F)
8 ft	- 20°C (-4°F) to 39°C (102°F)

Values based on ambient temp of 25 degrees celcius and 4000K  
Lumens are subject to a tolerance ±10%  
Wattage is approximate and subject to a tolerance of ±5%  
Dimensions and specifications subject to change without notice.



◆ 800-444-WATT ◆ www.mobern.com ◆  
8200 Stayton Dr., Ste. 500, Jessup, MD 20794

CAT#

JOB NAME

TYPE