

APPLICATIONS

The VWIFHB builds on the engineering feats of the VW Series to expand the demanding applications that this new high bay enclosure will accommodate. A new heat management system for the ballasts allows 6 light T5HO lamps to operate much cooler than VW Series and work in higher temperature environments, up to 30 degrees warmer than the VWFHB can operate. New plastic latch options to hold the lens provides improved maintenance and economy. New mounting options including a new mounting strap and rigid mounting beam enables enhanced mounting options including rigid ceiling mount and dual pendant mount.

FEATURES & BENEFITS

- ◆ 5VA (f1) Housing (Patent Pending)
- ◆ Utilizes off the shelf 1/2" fittings
- ◆ Poured in place gasket helps seal the enclosures from most hostile environments
- ◆ Heat Management System (Patent Pending)
- ◆ Secure Locking Plastic Latches (Patent Pending)
- ◆ Acetal Copolymer (Similar to Celcon® or Delrin®)
- ◆ 316 Stainless Steel Latches
- ◆ Latches are Captive with Optional Tamper Resistance
- ◆ Economical Mounting Options can provide dramatic savings on the installation labor
- ◆ V-Hook, Flexible Ceiling Mount, and Rigid Ceiling Mount
- ◆ Compatible with Chain, Cable, Dual Pendant Mount provided by others
- ◆ 3, 4, 5 and 6 lamp configurations are available for both T5 and T8
- ◆ Impact Resistant Diffusers
- ◆ Captive Geartray operates from either side
- ◆ Optional specular reflectors for high bay applications where focused distribution is required



IP65
Certified

IP66
Certified

IP67
Certified



SPECIFICATIONS

High quality; High Ambient, enclosed fiberglass fixture features a unique continuous poured gasket which completely fills channel for maximum seal integrity. Diffuser is held in place with polycarbonate retaining latches. Stainless steel latches are recommended for the following applications: agriculture, car washes, food processing and swimming pools. Hole is 7/8" diameter and is provided with a plastic plug on one end for conduit attachment. Offset mounting pads which keeps luminaire level and slightly off of mounting surface are formed within the housing. Highly reflective coated interior surface improves efficiency. Standard diffuser is high impact acrylic with textured pattern designed for high efficiency while providing reduced glare. Listed by and bears **UL** label.

ORDERING DATA

EXAMPLE: VWIFHB232PMVB1

VWIFHB		Lamp Type		Voltage		Options ^{1, 2, 3, 4}	Accessories
Series	Nbr. of Lamps (per cross section)	28	46" T5HO	MV	Multi-Volt	See Options Page	See Accessories Page
VWIFHB		32	48" T8	120	120 Volt		
Premium	3	48T8HO	48" T8HO	277	277 Volt		
High Ambient	4	54	46" T5HO	PMV	Program Start		
Vaportight	5				Multi-Volt		
	6						

Notes

- 1) Mounting brackets and accessories sold separately.
- 2) Battery Backup (#) if ordering separately.
- 3) Lamps sold and shipped on the side.
- 4) Call for additional options.

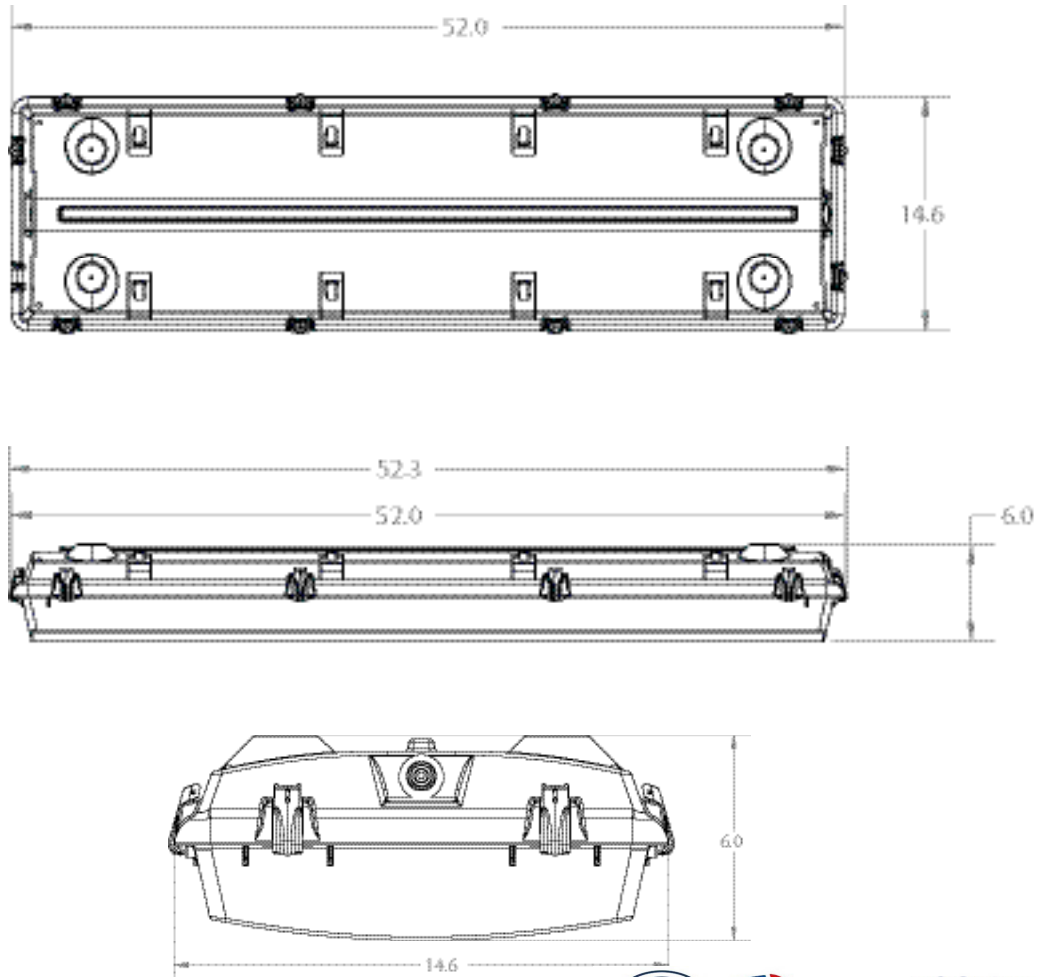
Dimensions and specifications subject to change without notice.



TECHNICAL INFORMATION

Brands		Performance Levels			
Code No.	Description	Ballast			
		Manufacturer	Standard	High Efficiency Instant Start	High Efficiency Program Start
A	Advance	Advance (A)	Centium ICN (A)	Optanium (AL, AN, AH)	Optanium PS (APL, APN)
G	GE Ballast	GE (G)	Proline GE (G)	UltraMax (GL, GN, GH)	UltraStart (GPL, GPH, GPH)
L	Lutron				
S	Sylvania Ballast	Osram/Sylvania (S)	Quicktronic Pro (S)	Quicktronic QHE (SL, SN, SH)	ProStart (SPL, SPN, SPH)
U	Universal	Universal (U)	ULT STD Electronic (U)	HP Electronic (UL, UN, UH)	AccuStart (UPI, UPN, UPH)

DIMENSIONS



Dimensions and specifications subject to change without notice.



OPTIONS & ACCESSORIES

A Advance Ballast
G GE Ballast
L Lutron
S Sylvania Ballast
U Universal

B1 T8/T5 1L 500 Lumens Battery Backup (B11)
B2 T8/T5 1L/2L 700 Lumens Battery Backup (B48)
B3 T8/T5 1L/2L 1400 Lumens Battery Backup (B223)
B51 T5HO 1L 500 Lumens Battery Backup (B625)
B52 T5HO 1L 800 Lumens Battery Backup (B585)
B53 T5HO 1L 1300 Lumens Battery Backup (B626)

11 Dual Ballasts 1 Lamp + 1 Lamp
21 Dual Ballasts 2 Lamp + 1 Lamp
22 Dual Ballasts 2 Lamp + 2 Lamp
31 Dual Ballasts 3 Lamp + 1 Lamp
PC Polycarbonate Lens
SL Stainless Steel Latches



Stainless steel latch kit
 2 Ft. & 4 Ft - **H126**
 8 Ft. - **H127**



Replacement clear polycarbonate latch kit
 2 Ft. & 4 Ft. - **H123**
 8 Ft. - **H124**

Dimensions and specifications subject to change without notice.

