

APPLICATIONS

Premium surface mounted deep cell parabolic fixture designed for maximum efficiency and visual comfort. Ideal for commercial and industrial buildings requiring general illumination with surface configurations and low glare.

FEATURES & BENEFITS

- ◆ **P³ Technology - Post Powder Paint**
- ◆ > 90% reflectivity
- ◆ Corrosion and scratch resistant
- ◆ Smooth edges for easy handling
- ◆ Clean appearance with no exposed fasteners
- ◆ Low iridescent louver is maintenance free semi-specular anodized aluminum
- ◆ Louver hinges and latches from either side
- ◆ Black reveal provides gap free floating louver appearance
- ◆ Various cell configurations available
- ◆ Pre-lamp available
- ◆ Every fixture individually tested
- ◆ UL listed for damp location



SPECIFICATIONS

Housing is die-formed from cold rolled steel. A framed parabolic troffer offering improved photometrics over our standard welded surface parabolic fixture. Finish is high reflectance **P3 - Post Powder Paint**. Precision formed anodized semi-specular aluminum louver. Standard nominal 3" deep cell louvers are manufactured using interlocked construction and mitred corners. Louver hinges from either side. Latches use a positive locking cam action and come with matching finish. Ballast cover snaps into place eliminating the need for tools when accessing the ballast. A protective film is provided to protect the and fixture from construction dust. Listed by and bears UL label.

ORDERING DATA

EXAMPLE: SPR24-43218MV

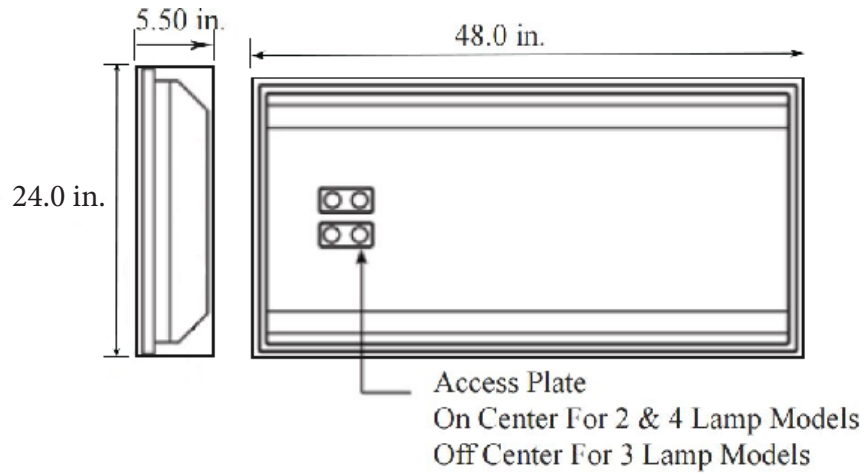
SPR						
Series	Size	# of Lamps	Lamp Size	Louvers	Voltage	Options
SPR	22 2x2	1 1 Lamp	17 T8 24"	8 8 cell (STD 1x4)	MV 120-277VAC	B1 T8/T5 1L 500 Lumens Battery Backup (B11)
Premium	24 2x4	2 2 Lamp	28 T5 46"	9 9 cell (STD 2x2)	Multivolt	B2 T8/T5 1L 700 Lumens Battery Backup (B48)
Surface		3 3 Lamp	32 T8 48"	12 12 cell (2x4)	PMV Program Start	B3 T8/T5 1L 1400 Lumens Battery Backup (B223)
Parabolic		4 4 Lamp	54 T5HO 46"	16 16 cell (2x2)	LED Less Ballast wired one end hot**	B51 T5HO 1L 500 Lumen Battery Backup (B625)
			U32X 6" U-bent T8 (2x2 only)	18 18 cell (STD 2x4)	LED2E Less Ballast wired two ends hot**	B52 T5HO 1L 800 Lumen Battery Backup (B585)
			U32Y 1 5/8" U-bent T8 (2x2 only)	32 32 cell (2x4)	** UL Listed when supplied with LED tubes installed	B53 T5HO 1L 1300 Lumen Battery Backup (B626)
						11 Dual Ballasts 1 Lamp +1 Lamp
						21 Dual Ballasts 2 Lamp +1 Lamp
						22 Dual Ballasts 2 Lamp +1 Lamp
						31 Dual Ballasts 3 Lamp +1 Lamp
						L41 741K lamps installed
						L35 735K lamps installed
						L841 841K lamps installed
						L835 835K lamps installed
						WP Whip 6 ft
						XS Silver MIRO4 Reflector

Dimensions and specifications subject to change without notice.

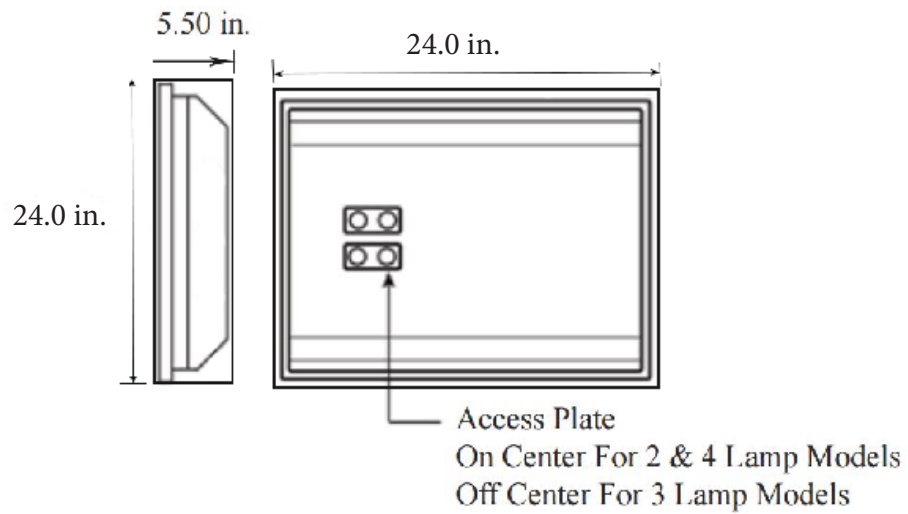


DIMENSIONS

2 x 4



2 x 2



Dimensions and specifications subject to change without notice.



◆ 800-444-WATT ◆ www.mobern.com ◆
8200 Stayton Dr., Ste. 500, Jessup, MD 20794

CAT#

JOB NAME

TYPE