

APPLICATIONS

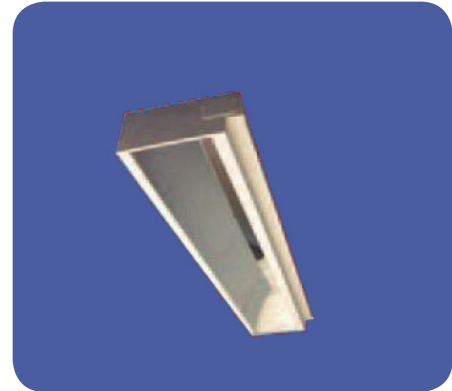
Specification grade, recessed perimeter elliptical wall wash to highlight wall and shelf mounted goods in commercial and retail environments. Provides uniform VERTICAL surface lighting.

Size:

10.62"W x 24"L x 4.5"D
10.62"W x 48"L x 4.5"D

FEATURES & BENEFITS

- ◆ LED Technology
- ◆ Recessed inverted T-bar ceilings. Grid mount.
- ◆ Perimeter highlight for wall and shelf mounted goods
- ◆ "Silver" full bright reflectors maximize efficiency, light output, and control wall wash distribution
- ◆ Access plate to simplify installation
- ◆ Every fixture is individually tested
- ◆ **ETL** listed for damp location



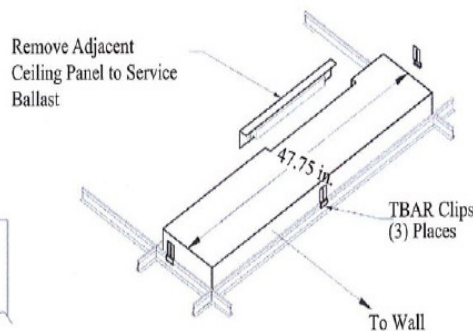
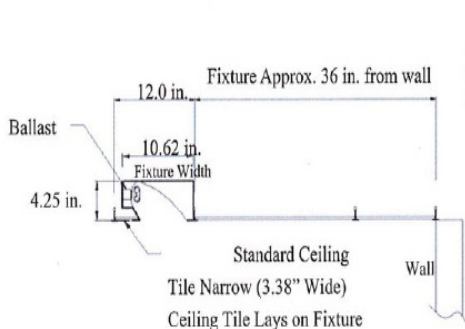
SPECIFICATIONS

Housing is die-formed and embossed code 22 gauge steel. Finish is high reflectance baked white enamel. Access plate with wiring knockouts are provided on one side of housing. Ballast is accessed from side, through adjacent ceiling tile. Premium, full specular reflectors at sides and ends create a professional finish and control the wall wash lighting distribution.

ORDERING DATA

EXAMPLE: RWW48LED28DMV30KWP

Series	Size	Gear	Wattage & Lumens	Driver Type	Kelvin Temperature	Options
RWW	24 2 ft. 48 4 ft.	LED	24 24W 2400 Lumens 48 48W 4800 Lumens	DMV Dimmable 120-277	30K 3000K 35K 3500K 40K 4000K 50K 5000K	WP 6ft 3 wire 18 gauge whip WP10 6ft 4 wire 18 gauge whip **Call for additional options



Dimensions and specifications subject to change without notice.