



APPLICATIONS

Premium recessed deep cell parabolic T-bar troffer designed for maximum efficiency and visual comfort. Ideal for commercial and industrial buildings requiring general illumination with recessed configurations and low glare.

FEATURES & BENEFITS

- ◆ **P3 Technology - Post Powder Paint**
- ◆ > 90% reflectivity
- ◆ Corrosion and scratch resistant
- ◆ Smooth edges for easy handling
- ◆ Louver manufactured from low iridescent semi-specular anodized aluminum
- ◆ Protective plastic dust cover keeps louver clean during shipping and installation
- ◆ Black reveal provides gap free floating louver appearance
- ◆ Hinges from either side
- ◆ Die-formed steel T-hinges
- ◆ Positive locking cam action latches
- ◆ Air functions - choice of static, air supply or heat removal
- ◆ Various cell configurations available
- ◆ Access plate for quick wiring
- ◆ Pre-lamp available
- ◆ Equipped with Integral Earthquake Clips
- ◆ Every fixture individually tested
- ◆ **UL** listed for damp location

SPECIFICATIONS

Housing and ends are die-formed from code gauge cold rolled steel. Body and the black reveal are highly reflective **P3 - Post Powder Paint**. Precision formed anodized semi-specular aluminum louver. Standard normal 3" deep cell louvers are manufactured using interlocked construction and mitred corners. Wiring access plate or knockouts are provided on back of housing for flexible conduit attachment. Ballasts cover and snap into place eliminating the need for tools when accessing the ballast. Listed by and bears **UL** label.



ORDERING DATA

EXAMPLE: RP24-33218MV

RP		Size		# of Lamps		Lamp Size		Louvers		Ballast Type	
Series	RP	14	1x4	1	1 Lamp	14	22" T5	8	8 cell (STD 1x4)	MV	Multivolt
		22	2x2	2	2 Lamp	17	24" T8	9	9 cell (STD 2x2)	120	120 Volt
		24	2x4	3	3 Lamp	24	22" T5HO	12	12 cell (2x2 and 2x4)	277	277 Volt
				4	4 Lamp	28	46" T5	16	16 cell (2x2)	R120	Residential 20V
						32	48" T8	18	18 cell (STD 2x4)	PMV	Program Multivolt
						54	46" T5HO	24	24 cell (2x4)		
						U32X	6" U-bent T8 (2x2 only)	32	32 cell (2x4)		
						U32Y	1 5/8" U-bent T8 (2x2 only)				
						40	22" BLAX				
								Air Return			
								Blank	Static		
								A	Air Handling		

Options

- B1 T8/T5 1L 500 Lumens Battery Backup (B11)
- B2 T8/T5 1L/2L 700 Lumens Battery Backup (B48)
- B3 T8/T5 1L/2L 1400 Lumens Battery Backup (B223)
- B51 T5HO 1L 500 Lumen Battery Backup (B625)
- B52 T5HO 1L 800 Lumens Battery Backup (B585)
- B53 T5HO 1L 1300 Lumens Battery Backup (B626)
- 11 Dual Ballasts 1 Lamp + 1 Lamp
- 21 Dual Ballasts 2 Lamp + 1 Lamp
- 22 Dual Ballasts 2 Lamp + 2 Lamp
- 31 Dual Ballasts 3 Lamp + 1 Lamp
- L41 Lamps Installed 741K
- L35 Lamps Installed 735K
- L841 Lamps Installed 841K
- L835 Lamps Installed 835K
- RIF Radio Interference Filter
- OL Overlay Sheet
- WP Whip 6 Ft. 3 wire
- WP Whip 6 Ft. 4 wire
- XS Silver MIRO4 Reflector

Brands

Code No.	Description
A	Advance
G	GE Ballast
L	Lutron
S	Sylvania Ballast
U	Universal

Performance Levels

Ballast			
Manufacturer	Standard - Leave blank if no preference	High Efficiency Instant Start	High Efficiency Program Start
Advance (A)	Centium ICN (A)	Optanium (AL, AN, AH)	Optanium PS (APL, APN ???)
GE (G)	Proline GE (G)	UltraMax (GL, GN, GH)	UltraStart (GPL, GPH, GPH)
Osram/Sylvania (S)	Quicktronic Pro (S)	Quicktronic QHE (SL, SN, SH)	ProStart (SPL, SPN, SPH)
Universal (U)	ULT STD Electronic (U)	HP Electronic (UL, UN, UH)	AccuStart (UPI, UPN, UPH)

Battery Backup (#) if ordering separately.*Call factory for additional options

Dimensions and specifications subject to change without notice.

◆ 800-444-WATT ◆ www.mobern.com ◆

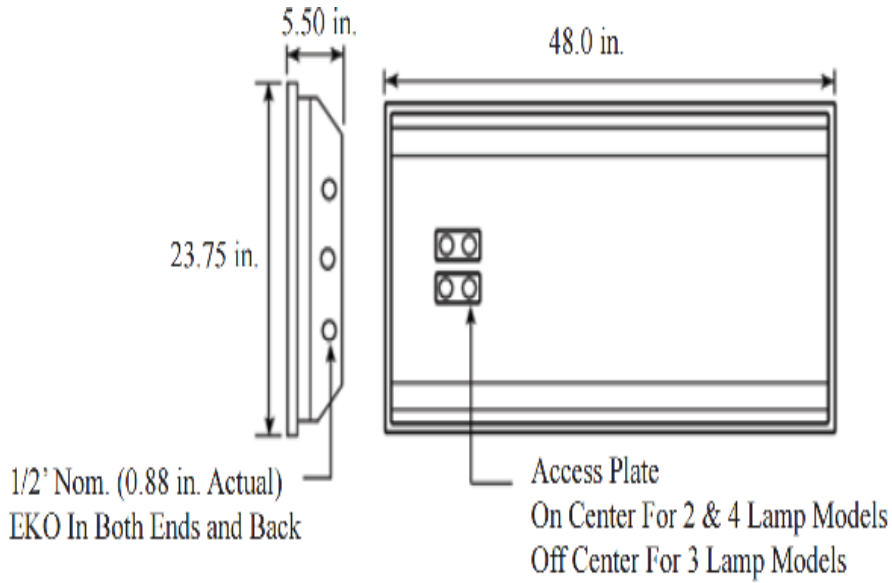
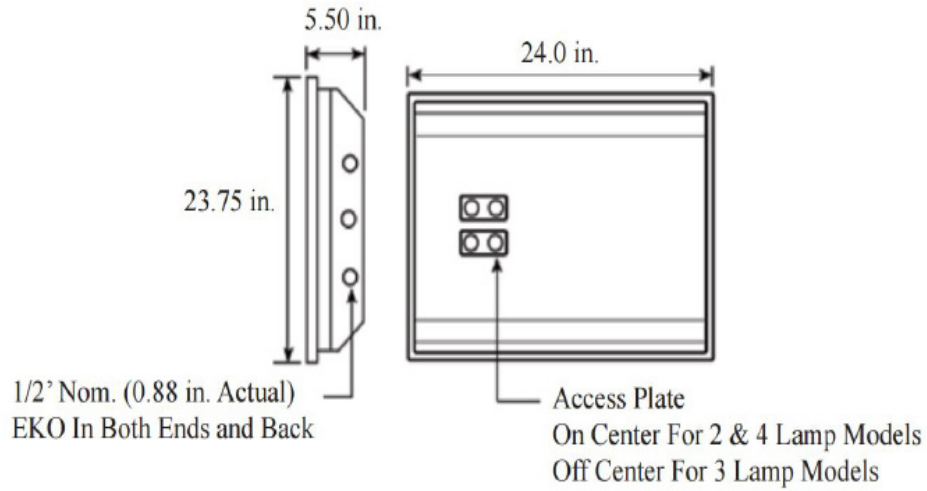
8200 Stayton Dr., Ste. 500, Jessup, MD 20794

CAT#

JOB NAME

TYPE

DIMENSIONS



Dimensions and specifications subject to change without notice.



PHOTOMETRICS FOR 2x4

Calculated using the zonal cavity method in accordance with IESNA LM41 procedure. Lamp configurations are typical. Photometric data on these and other configurations available upon request.

Floor	20%	20%	20%	20%	20%	20%	20%	20%	20%
Ceiling	80%	80%	80%	70%	70%	70%	50%	50%	50%
Wall	70%	50%	30%	70%	50%	30%	50%	30%	10%
RCR	Zonal cavity coefficients			PARA18C332		Spacing ratio. Along 1.2			Across 1.6
0	0.84	0.84	0.83	0.82	0.81	0.81	0.78	0.78	0.78
1	0.78	0.75	0.73	0.74	0.71	0.69	0.71	0.69	0.67
2	0.73	0.68	0.63	0.66	0.63	0.59	0.64	0.61	0.58
3	0.67	0.61	0.55	0.59	0.55	0.51	0.58	0.54	0.50
4	0.62	0.55	0.49	0.54	0.49	0.45	0.52	0.48	0.44
5	0.58	0.49	0.43	0.48	0.43	0.39	0.47	0.42	0.39
6	0.53	0.44	0.39	0.44	0.38	0.34	0.43	0.38	0.34
7	0.50	0.40	0.35	0.40	0.35	0.31	0.39	0.34	0.31
8	0.46	0.37	0.32	0.37	0.31	0.28	0.36	0.31	0.28
9	0.43	0.34	0.29	0.34	0.28	0.25	0.33	0.28	0.25
10	0.41	0.31	0.26	0.31	0.26	0.23	0.30	0.26	0.23

Floor	20%	20%	20%	20%	20%	20%	20%	20%	20%
Ceiling	80%	80%	80%	70%	70%	70%	50%	50%	50%
Wall	70%	50%	30%	70%	50%	30%	50%	30%	10%
RCR	Zonal cavity coefficients			PARA32C432		Spacing ratio. Along 1.2			Across 1.3
0	0.76	0.75	0.75	0.74	0.73	0.73	0.7	0.7	0.7
1	0.7	0.68	0.66	0.66	0.64	0.63	0.64	0.62	0.61
2	0.65	0.61	0.57	0.6	0.56	0.54	0.58	0.55	0.53
3	0.61	0.55	0.5	0.54	0.5	0.46	0.52	0.48	0.46
4	0.56	0.49	0.45	0.49	0.44	0.41	0.47	0.43	0.4
5	0.52	0.45	0.39	0.44	0.39	0.36	0.43	0.38	0.35
6	0.48	0.4	0.35	0.4	0.35	0.31	0.39	0.34	0.31
7	0.45	0.37	0.32	0.36	0.32	0.28	0.35	0.31	0.28
8	0.42	0.34	0.29	0.33	0.29	0.25	0.33	0.28	0.25
9	0.39	0.31	0.26	0.31	0.26	0.23	0.3	0.26	0.23
10	0.37	0.29	0.24	0.28	0.24	0.21	0.28	0.24	0.21

Floor	20%	20%	20%	20%	20%	20%	20%	20%	20%
Ceiling	80%	80%	80%	70%	70%	70%	50%	50%	50%
Wall	70%	50%	30%	70%	50%	30%	50%	30%	10%
RCR	Zonal cavity coefficients			PARA18C232M20		Spacing ratio. Along 1.2			Across 1.3
0	0.91	0.9	0.9	0.89	0.88	0.88	0.84	0.84	0.84
1	0.85	0.81	0.78	0.83	0.8	0.77	0.77	0.74	0.73
2	0.78	0.73	0.68	0.76	0.71	0.67	0.69	0.65	0.62
3	0.72	0.65	0.59	0.7	0.64	0.59	0.62	0.57	0.54
4	0.67	0.58	0.52	0.65	0.57	0.52	0.56	0.51	0.47
5	0.62	0.52	0.46	0.6	0.52	0.46	0.5	0.45	0.41
6	0.57	0.47	0.41	0.56	0.47	0.41	0.45	0.4	0.36
7	0.53	0.43	0.37	0.52	0.43	0.37	0.41	0.36	0.32
8	0.5	0.4	0.34	0.49	0.39	0.33	0.38	0.33	0.29
9	0.46	0.36	0.3	0.45	0.36	0.3	0.35	0.3	0.26
10	0.43	0.34	0.28	0.43	0.33	0.28	0.32	0.27	0.24

Floor	20%	20%	20%	20%	20%	20%	20%	20%	20%
Ceiling	80%	80%	80%	70%	70%	70%	50%	50%	50%
Wall	70%	50%	30%	70%	50%	30%	50%	30%	10%
RCR	Zonal cavity coefficients			PARA18C332M20		Spacing ratio. Along 1.2			Across 1.3
0	0.92	0.93	0.93	0.9	0.91	0.91	0.87	0.87	0.86
1	0.88	0.85	0.82	0.86	0.83	0.81	0.8	0.78	0.76
2	0.82	0.77	0.73	0.81	0.76	0.72	0.73	0.7	0.68
3	0.77	0.7	0.65	0.75	0.69	0.65	0.67	0.63	0.6
4	0.72	0.64	0.59	0.71	0.64	0.58	0.62	0.57	0.54
5	0.67	0.59	0.53	0.66	0.58	0.53	0.57	0.52	0.48
6	0.63	0.54	0.48	0.62	0.53	0.48	0.52	0.47	0.44
7	0.59	0.5	0.44	0.58	0.49	0.44	0.48	0.43	0.4
8	0.56	0.46	0.41	0.55	0.46	0.4	0.45	0.4	0.37
9	0.52	0.43	0.37	0.51	0.43	0.37	0.42	0.37	0.34
10	0.49	0.4	0.35	0.48	0.4	0.34	0.39	0.34	0.31

Dimensions and specifications subject to change without notice.



CAT#			
JOB NAME		TYPE	