


APPLICATIONS

Premium recessed deep cell parabolic T-bar troffer designed for maximum efficiency and visual comfort. Ideal for commercial and industrial buildings requiring general illumination with recessed configurations and low glare.

FEATURES & BENEFITS

- ◆  Technology - Post Powder Paint
- ◆ > 90% reflectivity
- ◆ Corrosion and scratch resistant
- ◆ Smooth edges for easy handling
- ◆ Louver manufactured from low iridescnet semi-specular anodized aluminum
- ◆ Protective plastic dust cover keeps louver clean during shipping and installation
- ◆ Black reveal provides gap free floating louver appearance
- ◆ Hinges from either side
- ◆ Die-formed steel T-hinges
- ◆ Positive locking cam action latches
- ◆ Air functions - choice of static, air supply or heat removal
- ◆ Various cell configurations available
- ◆ Access plate for quick wiring
- ◆ Recessed inverted T-bar ceilings. Grid mount
- ◆ Equipped with Integral Earthquake Clips
- ◆ Every fixture is individually tested
- ◆ **ETL_{us}** listed for damp location



SPECIFICATIONS

Housing and ends are die-formed from code gauge cold rolled steel. Body and the black reveal are highly reflective P3-Post Powder Paint. Precision formed anodized semi-specular aluminum louver. Standard 3" deep cell louvers are manufactured using interlocked construction and mitred corners. Wiring access plate or knockouts are provided on back of housing for flexible conduit attachment. Driver cover snaps into place eliminating the need for tools when accessing the driver. Listed by and bears **ETL** label.

ORDERING DATA

EXAMPLE: RP2418-LED48DMV40

RP		LED		Driver Type		Color Temp		Options*	
Series	Size	Gear	Wattage/Lumens	DMV	0-10V dimming multivolt, 120- 277VAC	30	3000K	WP	6' Whip 3 Wire
RP	14 1 x 4	LED	<u>2x2</u>	35	3500K	EM	Emergency battery pack 10W~1300 Lumens	EM7	Emergency battery pack 7W~900 Lumens
	22 2 x 2		30 30W 3600 Lumens	40	4000K	EM5	Emergency battery pack 5W~650 Lumens	OL	Frosted overlay behind louver
	24 2 x 4		42 42W 4700 Lumens	50	5000K				
Louvers									
	<u>1x4</u>		54 54W 6150 Lumens						
8	8 cell (1x8 pattern) semi-specular, 3 in. nominal		<u>1x4</u>						
	<u>2x2</u>		32 32W 4000 Lumens						
9	9 cell (3x3 pattern) semi-specular, 3 in. nominal		48 48W 6000 Lumens						
12	12 cell (4x3 pattern) semi-specular, 3 in. nominal		<u>2x4</u>						
16	16 cell (4x4 pattern) semi-specular, 3 in. nominal		48 48W 6000 Lumens						
	<u>2x4</u>		60 60W 7300 Lumens						
12	12 cell (2x6 pattern) semi-specular, 3 in. nominal		85 85W 9600 Lumens						
16	16 cell (2x8 pattern) semi-specular, 3 in. nominal								
18	18 cell (3x6 pattern) semi-specular, 3 in. nominal								
24	24 cell (4x6 pattern) semi-specular, 3 in. nominal								
32	32 cell (4x8 pattern) semi-specular, 3 in. nominal								

*Consult for other wattages

Consult factory for other options

Dimensions and specifications subject to change without notice.



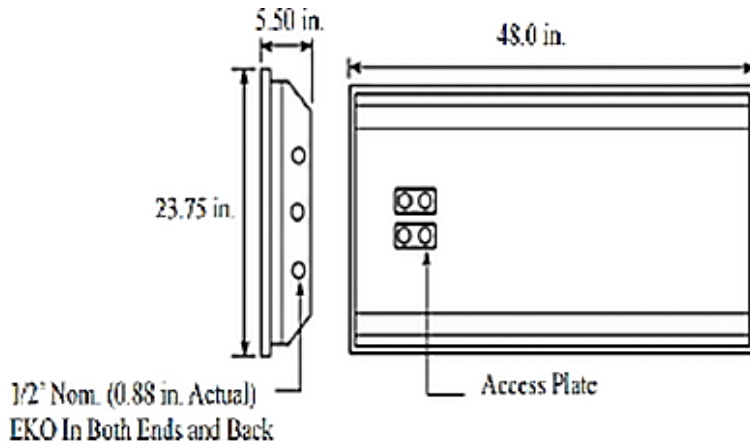
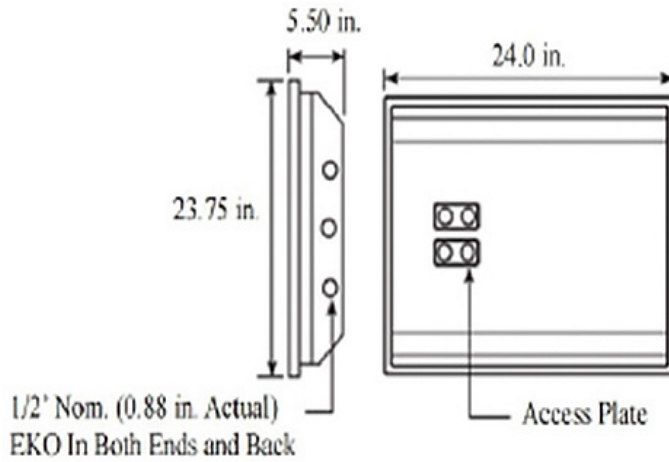
◆ 800-444-WATT ◆ www.mobern.com ◆

8200 Stayton Dr., Ste. 500, Jessup, MD 20794

CAT#	
JOB NAME	TYPE

DIMENSIONS

Model Configuration	A	B	C
1' x 4'	11 3/4"	47 3/4"	48"
2' x 2'	23 3/4"	23 3/4"	24"
2' x 4'	23 3/4"	47 3/4"	48"



Dimensions and specifications subject to change without notice.



◆ 800-444-WATT ◆ www.mobern.com ◆

8200 Stayton Dr., Ste. 500, Jessup, MD 20794

CAT#

JOB NAME

TYPE