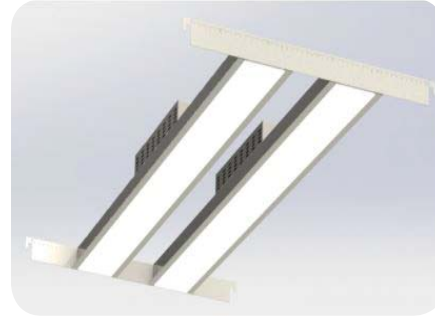


APPLICATIONS

A linear 2x2 or 2x4 for distinctive architectural lighting plans. Ideal for corridors, lobbies and office areas. RL series fixtures can be installed individually or in a continuous run. Specially designed for direct lighting with snap in lens to hide the LED arrays.

FEATURES & BENEFITS

- ◆ Fixture accepts various lenses and louvers
- ◆ Fixtures can be recessed mounted to the ceiling
- ◆ Designed around a long lasting and efficient LED module
- ◆ Made in USA



SPECIFICATIONS

Die formed and welded 22 gauge cold rolled steel. It allows continuous wireway mounting. Housing is specially designed to direct lighting with separating compartments for each.

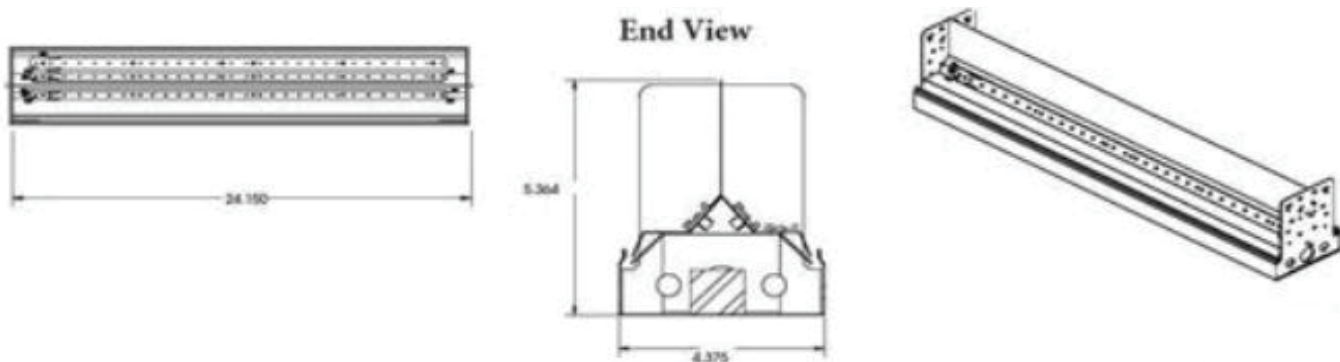
ORDERING DATA

EXAMPLE: RL22-FRLED28DMVWH40

| RL | Size | Lens | LED | Wattage | DMV | Finish | Kelvin Temperature | Options |
|------------------------------------|----------------|----------------------------|-------------|---|--|--|--|------------------|
| Series RL Recessed Linear | 2 x 2 2 x 4 | FR Snap in Acrylic Lens | Gear LED | <u>2 x 2.</u> 24 24 Watts 28 28 Watts <u>2 x 4.</u> 32 32 Watts 48 48 Watts 57 57 Watts | Driver Type ¹ DMV Dimmable | WH White SL Silver BK Black IN Iron RD Red | 30 3000k 35 3500k 40 4000k 50 5000k | WP 6' Whip3 Wire |

Consult factory for options

DIMENSIONS



Dimensions and specifications subject to change without notice.

TECHNICAL INFORMATION

| Size | Wattage | Initial Lumens (lm) | Efficacy (lm/W) | Kelvin Temperature | CRI |
|--------|---------|---------------------|-----------------|----------------------------------|-----|
| 2 x 2 | 24 | 2400 | 100 | 3000k 3500k 4000k 5000k | 80+ |
| 2 x 2 | 28 | 2700 | 96 | 3000k 3500k 4000k 5000k | 80+ |
| 2 x 4 | 32 | 3450 | 108 | 3000k 3500k 4000k 5000k | 80+ |
| 2 x 4 | 48 | 4800 | 100 | 3000k 3500k 4000k 5000k | 80+ |
| 2 x 4" | 57 | 5400 | 95 | 3000k 3500k 4000k 5000k | 80+ |

Dimensions and specifications subject to change without notice.