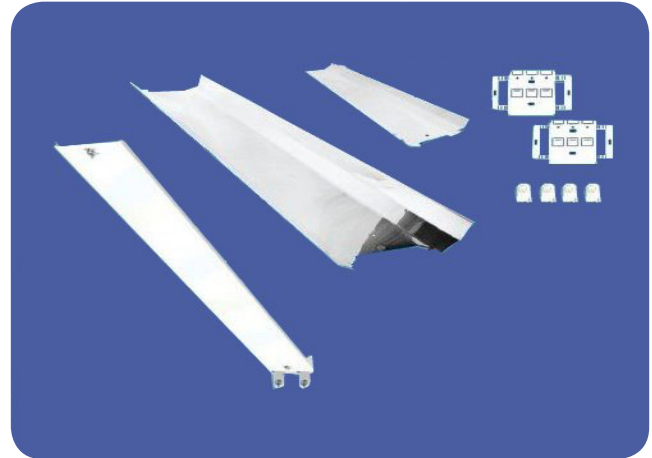


APPLICATIONS

The RKSR (Strip Reflector) and RKSC (Strip Ballast Cover) Universal Retrofit Kits are designed for 4' or 8' fluorescent industrial and strip fixtures and install with simple hand tools. The universal socket bracket is designed for simple fit to most standard fluorescent channels from 4" to 5 1/4" in width. The Reflector/Ballast Cover mount to final wired socket brackets with 2 quarter-turn fasteners for easy maintenance after retrofit is complete. Components are shipped separately in unit packages.

FEATURES & BENEFITS

- ◆ 1 or 2 lamp positions
- ◆ Lamps are secured with rotary locking lamp sockets
- ◆ Lamp socket accepts No. 18 gauge wire, either solid, solder dipped or twisted-tinned or fuse wire.
- ◆ Reflectors are precision formed and high performance
- ◆ Premium aluminum mirrored specular reflector or enhanced white reflector
- ◆ Ballast cover kit - white only, 4 1/4" standard
- ◆ Suitable for damp locations
- ◆ Ballast and lamps can be ordered with these kits



SPECIFICATIONS

The RKSR and RKSC universal strip retrofit kits mount easily, requiring only simple hand tools. The process includes removal of the existing ballast cover(s) and removal of the existing socket brackets and ballast. The new reflector/ballast cover is then attached to the existing strip channel with a universal socket bracket and self-tapping screws. The universal socket bracket can fit channels from 4" to 5 1/4" in width. The kit reflector or ballast cover serves as the new ballast cover. Mount and connect new ballast to sockets. Close the reflector or cover using captive quarter turns and install lamps.

ORDERING DATA

EXAMPLE: RKSR-232 TANMI

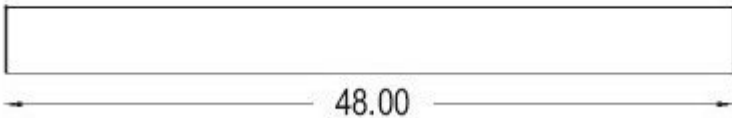
RKS	R	2	32	TAN	M	I			
Series RKS	Type R Reflector C Ballast Cover	# of Lamps 1 1 Lamp 2 2 Lamp 3 3 Lamp	Lamp Type 28 T5 32 T8 54 T5HO	Strip Type Blank 4' Strip TAN 8' Tandem Strip	Reflector/Ballast Cover W High Reflective White M High Reflective Silver B 4.25" Ballast Cover B5 5" Ballast Cover WO White Optics	Socket Type I Instant Start P Program Start	Brand Ballast Blank Not Specified A Advance G GE L Lutron S Sylvania U Universal	Ballast Factor Blank Not Specified L Low (.77) N Normal (.88) H High (1.18) *Standard instant start is normal	Configuration Blank Bulk Parts Unassembled W Wire Ballast + sockets together
								Ballast Type MV Electronic 120V to 277V 120V Electronic 120V 277V Electronic 277V R120 Residential Electronic 120V PMV Program Start Multivolt D120 120V Dimming D277 277V Dimming DMV Sylvania Multivolt Dimming SD Step Dim Multi Volt	

Dimensions and specifications subject to change without notice.

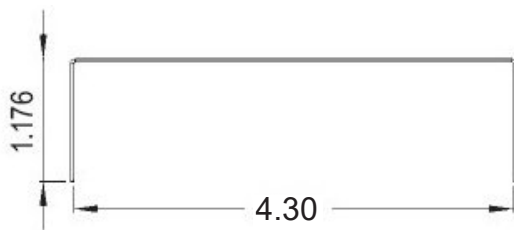


DIMENSIONS

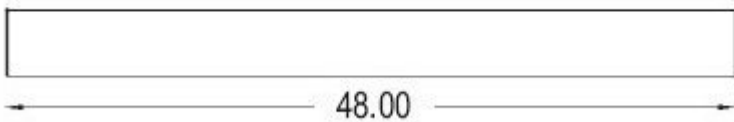
4.25" BALLAST COVER TOP VIEW



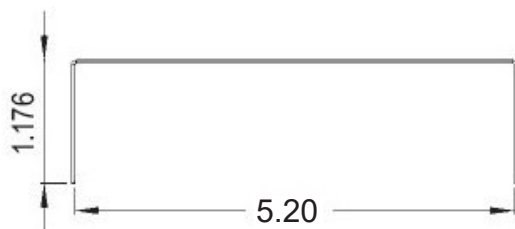
4.25" BALLAST COVER SIDE VIEW



5" BALLAST COVER TOP VIEW

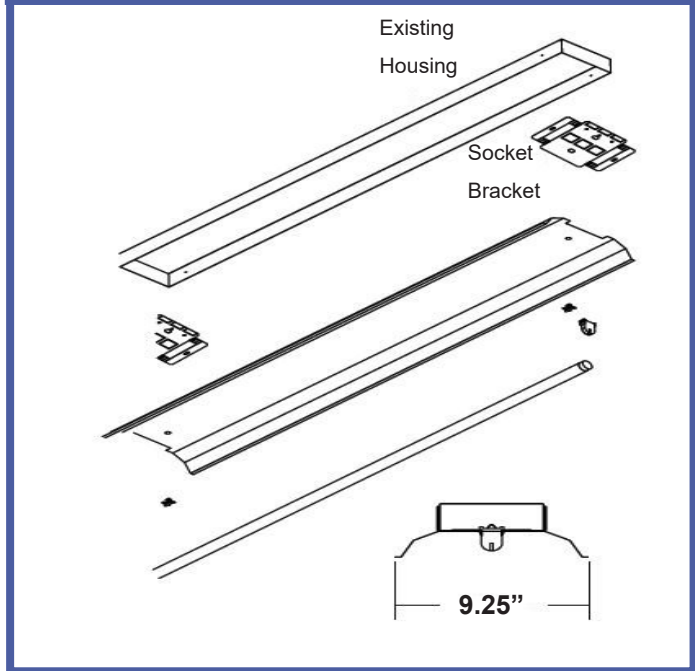


5" BALLAST COVER SIDE VIEW



Dimensions and specifications subject to change without notice.

1, 2 or 3 LAMP REFLECTOR KIT



4' Series Kit includes:

- * (1) aluminum reflector
- * (2 or 4) specified UL approved lamp holders
- * (2) quarter turns when ordered with a reflector
- * (5) tek screws

8' Series Kit includes:

- * (2) aluminum reflector
- * (4 or 8) specified UL approved lamp holders
- * (4) quarter turns when ordered with a reflector
- * (10) tek screws

