

APPLICATIONS

Specification grade, direct/indirect center diffuser luminaire provides smooth and uniform ambient lighting for all commercial and industrial buildings with recessed configurations. Reflected light from matte surfaces provide a softened "sky light" appearance to the modern office environment. Unique dual curved lens with center perforated basket or linear ribbed diffuser provides a luminous housing with excellent visual comfort. Light reaches higher in the space to eliminate the "cave effect".

FEATURES & BENEFITS

- ◆ Center section is flush with outer panels, eliminating the dirt and debris from collecting.
- ◆ One piece enclosure is mounted to one piece door frame
- ◆ Direct/indirect mimics "sky light" appearance
- ◆ Matte white reflective surfaces for soft, uniform light distribution
- ◆ Recessed perforated center diffuser with acrylic overlay
- ◆ ETL Listed



SPECIFICATIONS

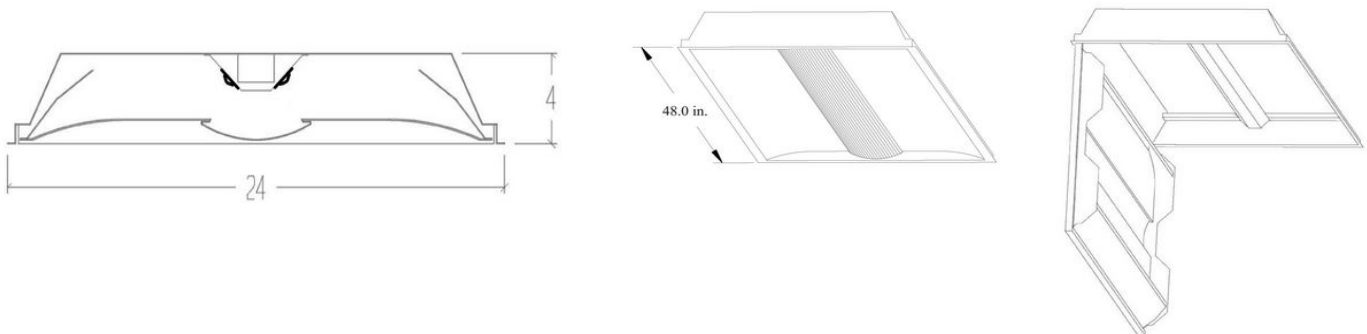
Housing is die-formed and embossed code 22 gauge steel. Luminaire body finish is high reflectance baked white enamel, with matte white reflectors. Wiring knockouts are provided on the back of housing.

ORDERING DATA

EXAMPLE: RGCRV24LED32PFDMMV30

| RGCRV | | | | | | | |
|--------------|---------------|------------|--------------------------------|--------------------------------|--|-------------------------------|--------------------|
| Series | Size | Gear | Wattage & Lumens | | Diffuser | Driver | Kelvin Temperature |
| RGCRV | 22 2x2 | LED | 2x2 | | PF Perforated basket with overlay | DMV 0-10V | 30 3000K |
| | 24 2x4 | | 24 24 Watts 2400 Lumens | 28 28 Watts 2700 Lumens | | | 35 3500K |
| | | | 35 35 Watts 3200 Lumens | 32 32 Watts 3450 Lumens | RL Ribbed linear lens | MV Multi-volt 120-277V | 40 4000K |
| | | | 48 48 Watts 4800 Lumens | 48 48 Watts 4800 Lumens | | | 50 5000K |
| | | | 57 57 Watts 5400 Lumens | 57 57 Watts 5400 Lumens | | | |

DIMENSIONS



Dimensions and specifications subject to change without notice.

