

APPLICATIONS

The RDISLED is a specification grade, Volumetric Recessed LED Luminaire which provides smooth and uniform ambient lighting for all commercial and industrial buildings with recessed configurations. Reflected light from matte surfaces provide a softened appearance to the modern office environment.

FEATURES & BENEFITS

- ◆ Volumetric recessed luminaire provides a low glare light source
- ◆ Matte white reflective surface for soft, uniform light distribution
- ◆ Multiple diffuser options available
- ◆ 0-10V dimming driver standard
- ◆ Easy access plate for quick wiring
- ◆ ^cETL_{us} Listed for damp locations
- ◆ DLC listed on certain models



SPECIFICATIONS

Housing is die-formed and embossed code 22 gauge steel. Luminaire body finish is high reflectance baked white enamel, with matte white reflectors. Wiring knockouts are provided on the back of housing. Center diffuser snaps into place; no tools are required for removal. Listed by and bears **ETL** label.

ORDERING DATA

EXAMPLE: RDIS22-LED28FRDMV40

RDIS		LED		Wattage/Lumens		Lens		Driver ¹		Color Temp	
Series	Air	Size	Gear								
RDIS	Blank A	Static Air Return	LED	1x4		FR	Frosted Lens	DMV	120-277VAC	30	3000K
		14 1x4		28	28 Watts 3200 Lumens	PF	Perforated		0-10V Dimmable	35	3500K
		22 2x2		32	32 Watts 3620 Lumens		Basket			40	4000K
		24 2x4		48	48 Watts 5450 Lumens	RL	Ribbed Acrylic Lens			50	5000K
				57	57 Watts 6080 Lumens						
				60	60 Watts 6430 Lumens						
				2x4							
				28	28 Watts 3200 Lumens						
				32	32 Watts 3620 Lumens						
				48	48 Watts 5450 Lumens						
				57	57 Watts 6080 Lumens						
				60	60 Watts 6430 Lumens						
				62	62 Watts 6900 Lumens						
				72	72 Watts 7000 Lumens						
				2x2							
				20	20 Watts 2125 Lumens						
				24	24 Watts 2700 Lumens						
				28	28 Watts 2980 Lumens						
				30	30 Watts 3200 Lumens						
				35	35 Watts 3500 Lumens						
				42	42 Watts 4080 Lumens						

Options	
EM	Emergency Battery Pack 10W~1300 Lumens
EM5	Emergency Battery Pack 5W~650 Lumens
EM7	Emergency Battery Pack 7W~900 Lumens
EM4F	Emergency Battery Pack 4W~450 Lumens
SS	Integrated Sensor

DLC Listed	
RDIS22-LED20DMVxx	xx=30
RDIS22-LED24DMVxx	xx=30
RDIS22-LED28DMVxx	xx=30
RDIS22-LED30DMVxx	xx=30
RDIS24-LED32DMVFRxx	xx=30,35,40,50
RDIS24-LED48DMVFRxx	xx=30,35,40,50
RDIS24-LED57DMVFRxx	xx=30,35,40,50
RDIS24-LED60DMVFRxx	xx=30

Lumens are subject to a tolerance of ±10%
Wattage is approximate and subject to a tolerance of ±5%

*Consult for other wattages

1) Consult factory for step dimming options

Dimensions and specifications subject to change without notice.



800-444-WATT ♦ www.mobern.com ♦

8200 Stayton Dr., Ste. 500, Jessup, MD 20794

CAT#

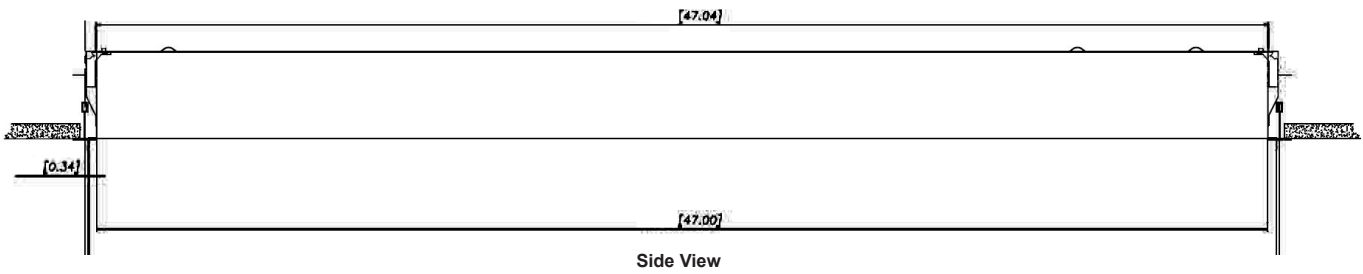
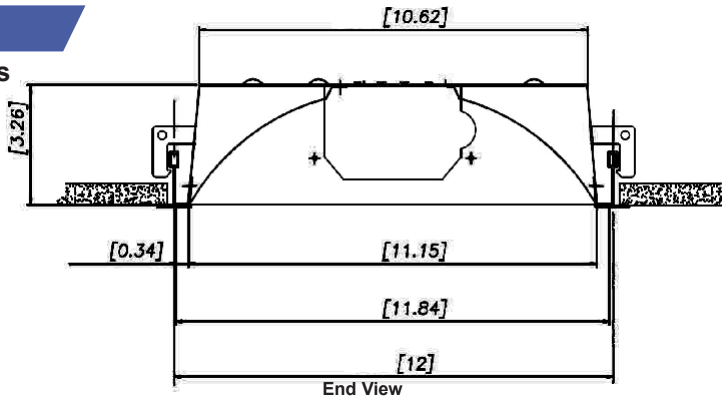
JOB NAME

TYPE

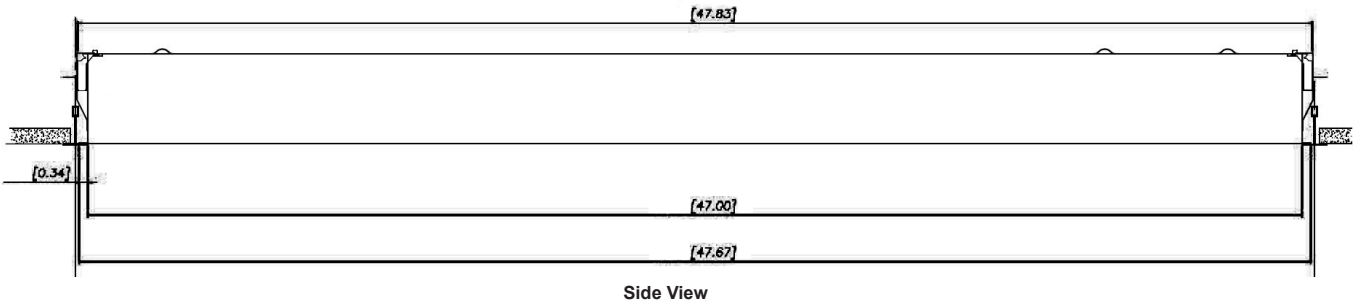
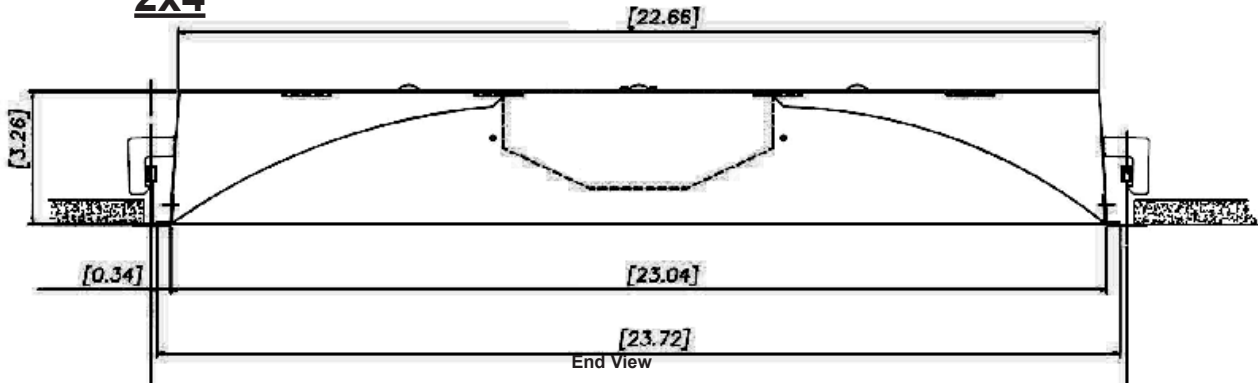
Dimensions

Dimensions in inches

1x4



2x4



Dimensions and specifications subject to change without notice.



◆ 800-444-WATT ◆ www.mobern.com ◆

8200 Stayton Dr., Ste. 500, Jessup, MD 20794

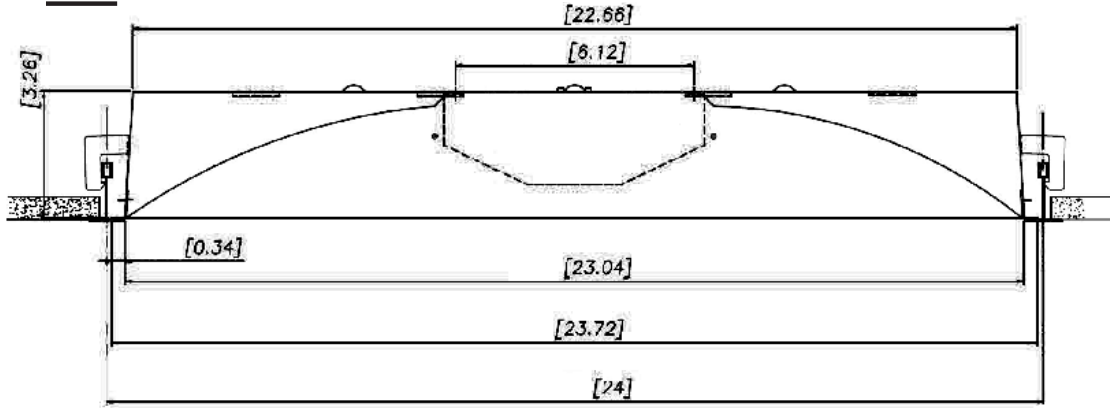
CAT#

JOB NAME

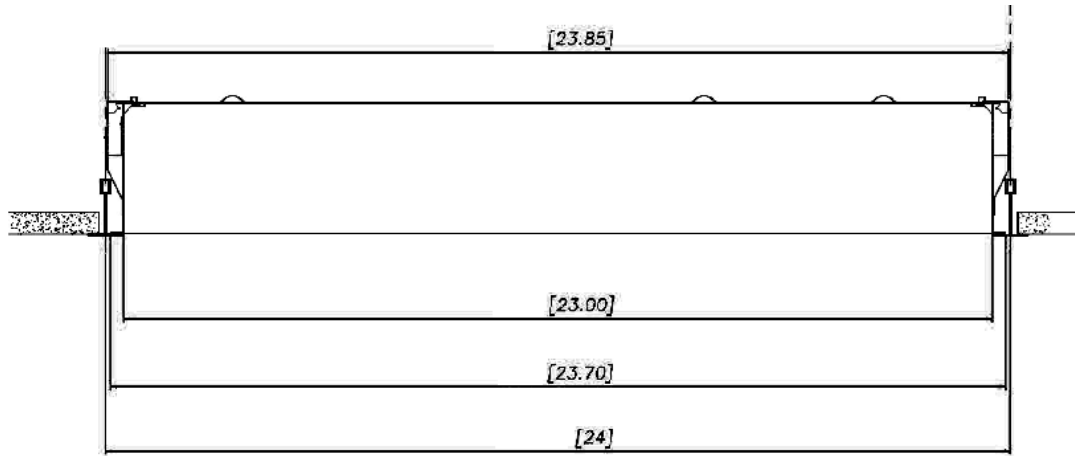
TYPE

Dimensions in inches

2x2



End View



Side View

Dimensions and specifications subject to change without notice.



◆ 800-444-WATT ◆ www.mobern.com ◆

8200 Stayton Dr., Ste. 500, Jessup, MD 20794

CAT#

JOB NAME

TYPE