

### APPLICATIONS

This newly designed luminaire featuring its versatility that can be served as wall light, flood light and etc. Incorporated with high performance LED module along with high quality optical reflector, this fixture performs efficiently and steadily against harsh outdoor environment.

### FEATURES & BENEFITS

- ◆ Housing is die-cast aluminum
- ◆ High quality optical reflector
- ◆ Powder coat finish
- ◆ Quality long life CREE LEDs
- ◆ Multiple color temperatures available
- ◆ Optional photo control
- ◆ 347V optional
- ◆ <sup>c</sup>UL<sub>US</sub> Listed for wet locations



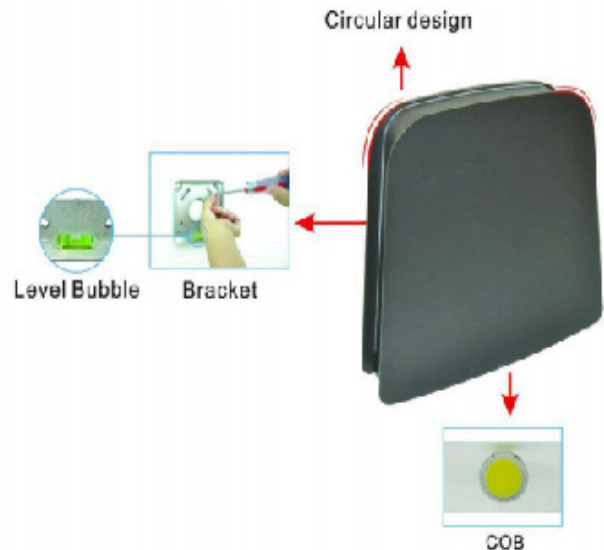
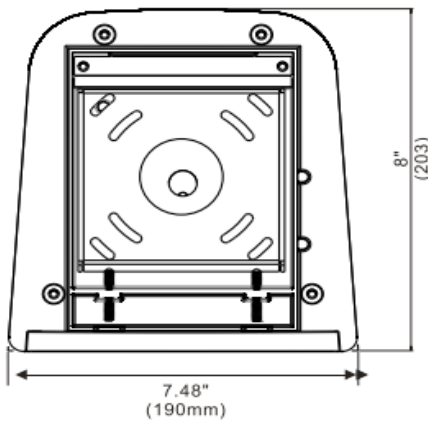
### SPECIFICATIONS

Solid die-cast aluminum housing, architectural bronze, UV resistant outdoor powder coat finish. IP65, Low Tj for long life, low lumen depreciation.

### ORDERING DATA

### EXAMPLE: MWPKFLS-LED40MV50BZ

MWPKFLS	LED	40	MV	50	BZ	
Series	Gear	Wattage/Lumens	Driver	Color Temp	Finish	Options
MWPKFLS	LED	40 40 watts 4376 Lumens	MV 120-277V	50 5000K	BZ Bronze	PC Photocell



Dimensions and specifications subject to change without notice.

