

#### APPLICATIONS

The MWCTRD up and down turbine architectural wall cylinder provides up and down lighting with narrow, medium, and wide distributions. It is designed to replace HID lighting systems. Typical wall mounted lighting applications include retail centers, industrial parks, schools, universities, public transit, airports, office buildings, and medical facilities. Mounting heights of 8 to 16 feet can be used based on light level and uniformity requirements.

#### FEATURES & BENEFITS

- ◆ L<sub>70</sub> > 50000 hrs
- ◆ Min CRI 80
- ◆ IP65 Sealed LED compartment
- ◆ CSA listed for wet locations
- ◆ 5 year warranty for -40°C to +50°C Environment



**IP65**  
CERTIFIED

#### SPECIFICATIONS

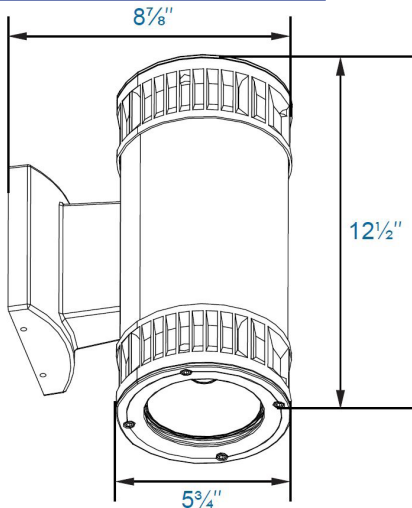
Housing is extruded round aluminum with built-in heat sinks, and features a powdercoat finish over a chromate conversion coating. The MWCTRD has a white reflector and a tempered clear flat glass lens. Mount over a 4" recessed outlet box.

#### ORDERING DATA

EXAMPLE: MWCTRDALED1U1D40DMVBK41

MWCTRD	LED		Wattage		DMV	BZ		Color Temp		Options
Series	Optics	Gear			Driver	Finish				
<b>MWCTRD</b> Up And Down Turbine LED Wall Cylinder	<b>A</b> 70° Reflector (Medium)	<b>LED</b>	<b>1U1D40</b>	40 Watts (20 up, 20 down)	<b>DMV</b> 120-277VAC 0-10V Dimmable	<b>BK</b> Black <b>BZ</b> Bronze	<b>41</b>	4100K	<b>SF</b> Single Fuse <b>DF</b> Double Fuse <b>SP</b> Surge Protection <b>PC</b> 120VAC Photocell <b>PC277</b> 250-305VAC Photocell <b>EM</b> Emergency Battery Backup	
	<b>B</b> 100° Reflector (Wide)				<b>DHV</b> 347/480VAC 0-10V Dimmable					
	<b>C</b> 70°Up/100°Down									
	<b>D</b> 30° Reflector (Narrow)									
	<b>E</b> 30°Up/100°Down									

#### DIMENSIONS

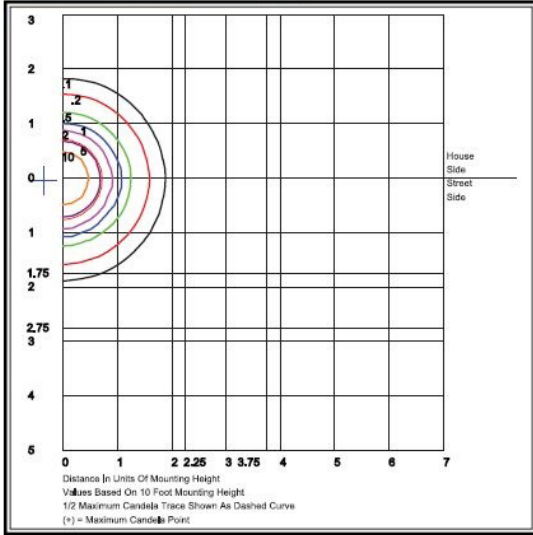


Dimensions and specifications subject to change without notice.

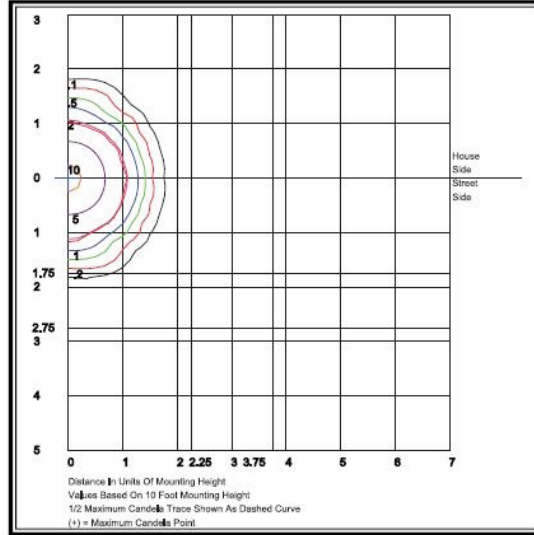


**PHOTOMETRICS**

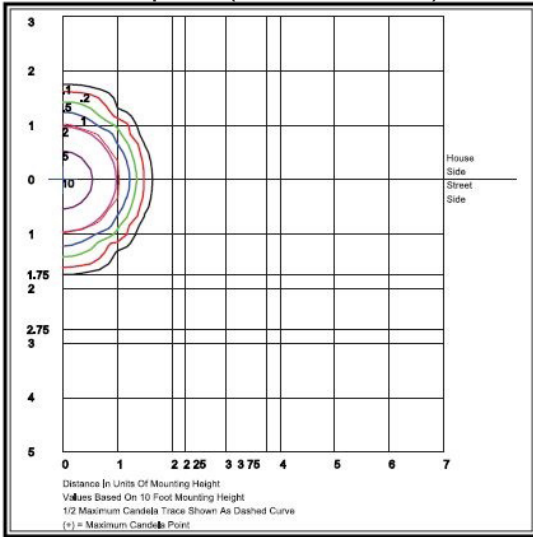
**A Optics (4380 Lumens)**



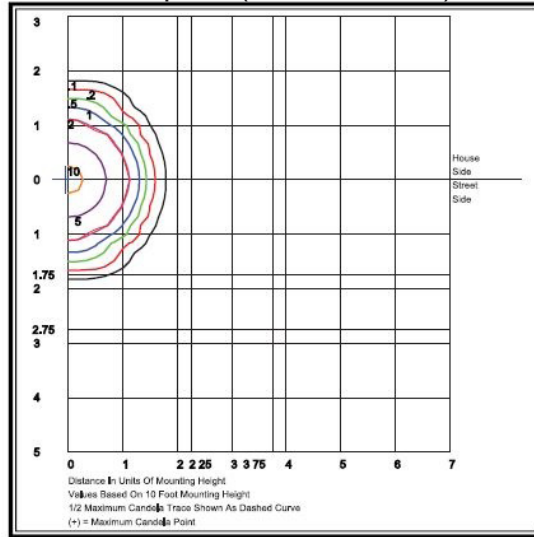
**B Optics (4347 Lumens)**



**C Optics (3381 Lumens)**



**E Optics (4448 Lumens)**



Dimensions and specifications subject to change without notice.



CAT#	
JOB NAME	TYPE