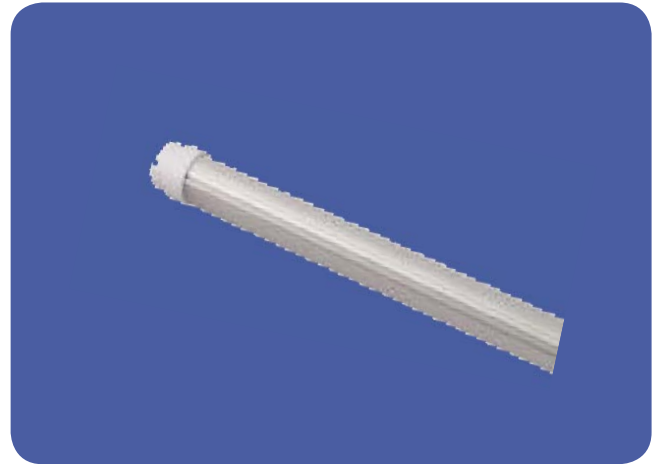


**APPLICATIONS**

One of the fastest growing retrofit segments is changing linear fluorescent lamps to LED T8 lamps. LED T8 self-driver lamps provide significant energy savings, excellent life and low maintenance and more focused light control. LED lamps don't use mercury which is important to the environment. Color temperature and better CRI can also be advantage. The Mobern MT8LED Lamps are UL listed.

**FEATURES & BENEFITS**

- ◆ 4' LED T8 Lamp for F32T8 replacement
- ◆ Environmentally friendly with no mercury
- ◆ Frosted lens standard (clear available)
- ◆ Built-in driver for easy installation
- ◆ High lumen efficiency & high CRI
- ◆ 120V or 277V
- ◆ 50/60Hz Frequency
- ◆ Power Factor > 0.95
- ◆ 5 Year Limited Warranty
- ◆ UL Listed



**ORDERING DATA**

EXAMPLE: TLEDB48822850

TLED	B	48	T8	22	8	50
<b>Series</b>	<b>Driver</b>	<b>Length</b>	<b>Tube</b>	<b>Wattage</b>	<b>CRI</b>	<b>Kelvin Temperature</b>
TLED T8 LED Retrofit Lamp	B Instant Start Ballast only		T8	22 22 Watts	8 >80	50 5000K

**SPECIFICATIONS**

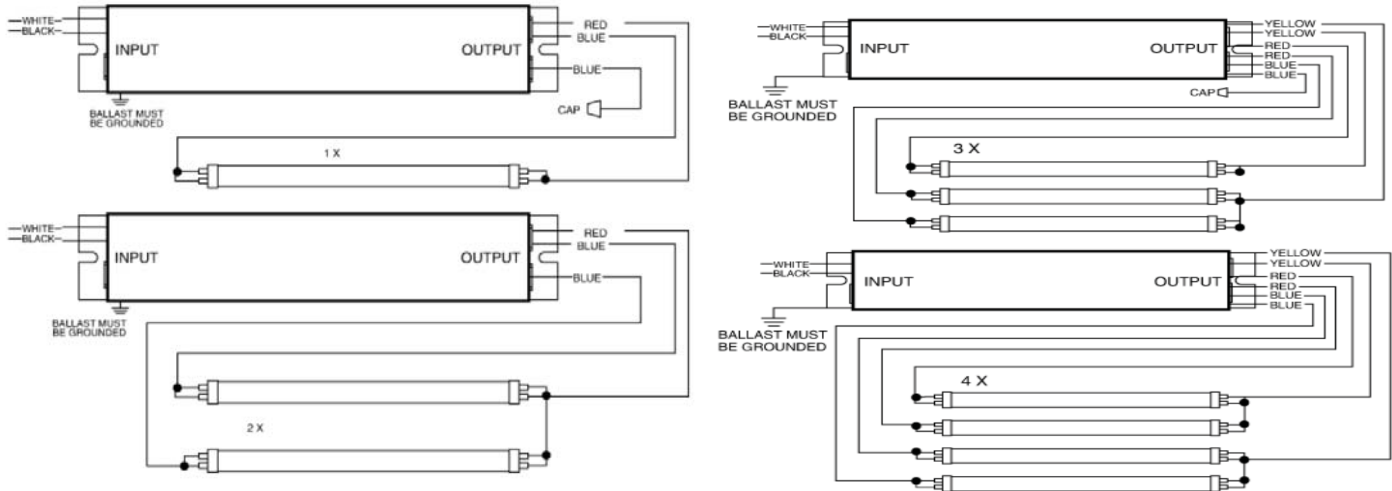
Model	Input	Frequency	Wattage	PF	Color Temperature (K)	CRI	Lumen*	THD
TLED-24T818W50	120-277V	50-60Hz	10W	0.87	5000	>80	900	20%
TLED-48T818W30	120-277V	50-60Hz	18W	0.87	3000	>80	1800	20%
TLED-48T818W40	120-277V	50-60Hz	18W	0.87	3000	>80	1800	20%
TLED-48T818W50	120-277V	50-60Hz	18W	0.87	3000	>80	1800	20%
TLED-48T818W30	120-277V	50-60Hz	22W	0.87	3000	>80	1800	20%
TLED-48T818W40	120-277V	50-60Hz	22W	0.87	3000	>80	1800	20%

Dimensions and specifications subject to change without notice.

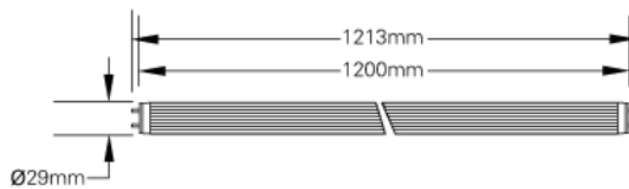
CAT#			
JOB NAME		TYPE	

**TECHNICAL INFORMATION**

**BALLAST DIAGRAMS**



**DIMENSIONS**



Dimensions and specifications subject to change without notice.

CAT#	
JOB NAME	TYPE