

APPLICATIONS

The Mobern MPL LED is a great choice for your flood and area lighting requirements. This fixture provides an even distribution of light with good efficiency, long life and lower operating and maintenance costs. This fixture has multiple mounting options to suit your needs.

FEATURES & BENEFITS

- ◆ Die-cast housing
- ◆ Architectural bronze UV resistant powder coat finish
- ◆ UL listed / CUL listed for damp locations
- ◆ Input voltage: 120-277V AC Consult for 480V
- ◆ State of the Art, Long Life Cree LEDs
- ◆ Input power – ~120 to 240 watts
- ◆ Lumens – ~12,500 to 19,300 Lumens
- ◆ Low starting temp - 30°C
- ◆ Color temperature - 5000K
- ◆ DLC Listed options
- ◆ 5 Year Warranty

SPECIFICATIONS

5 year limited system warranty. Listed by and bears cULus label.

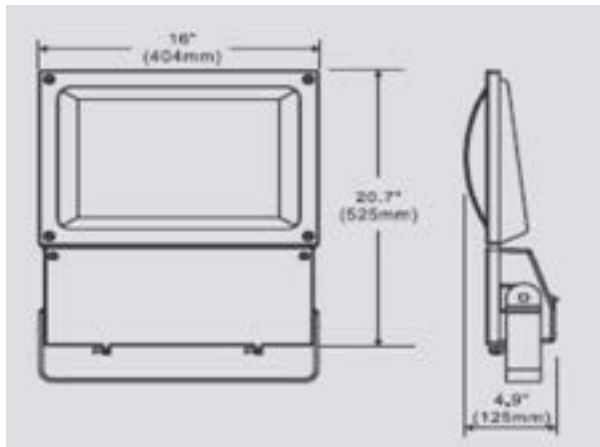


ORDERING DATA

EXAMPLE: MPLLED120MV50

MPLLED		Gear		Wattage/Lumens		Driver		Color Temperature	
Series	MPLLED	LED							
120			120 Watts	12560 Lumens	MV	120-277V	50	5000K	
150			150 Watts	14850 Lumens	480	480V			
180			180 Watts	17882 Lumens					
240			240 Watts	20649 Lumens					

Consult factory for more options.



MIA41
U-Bracket



MI2AF
Adjustable
slip fitter



MPLARM6
Mounting Arm 6"



Dimensions and specifications subject to change without notice.

CAT#	
JOB NAME	TYPE