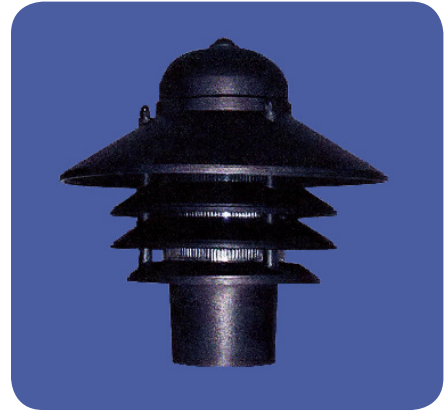


**APPLICATIONS**

ENERGY STAR qualified, this fixture is perfect for coastal and marine environments. Ideal for light residential building, marina and pathway lighting.

**FEATURES & BENEFITS**

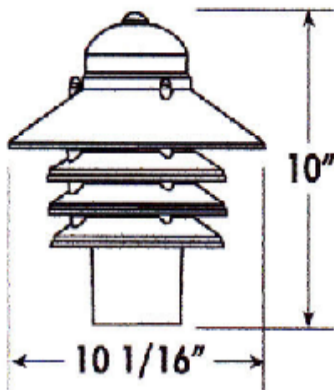
- ◆ Energy Star qualified
- ◆ Available in multiple colors
- ◆ Polycarbonate lens
- ◆ Polycarbonate body
- ◆ UV resistant
- ◆ Operating temperature -40°F - 122°F
- ◆ 120 Volt
- ◆ Estimated 50,000 hr
- ◆ UL Listed for wet locations



**ORDERING DATA**

**EXAMPLE: MNOBLED12120BK30PC**

MNOB	LED							
Series	Gear	Wattage		Driver Type	Housing Type	Color Temp	Option	
<b>MNOB</b>	<b>LED</b>	<b>12</b>	12 Watts, 800 Lumens	<b>120</b>	120 Volts	<b>BK</b> Black <b>WH</b> White	<b>30</b> 3000K <b>40</b> 4000K	<b>PC</b> Photocell



.Dimensions and specifications subject to change without notice

CAT#			
JOB NAME		TYPE	