

APPLICATIONS

Introducing our LED industrial high bay fixtures styled to match conventional HID high bays. These fixtures not only provide great glare free, wide area lighting, but also provides a stylish and modern industrial look.

FEATURES & BENEFITS

- ◆ CREE XML12 LEDs
- ◆ Silver Housing
- ◆ Multivolt 120V-277V (50/60Hz)
- ◆ Max. operating temp: 40°C (104°F)
- ◆ 50,000 hrs
- ◆ cUL Listed
- ◆ 5 year warranty
- ◆ Weighs less than 14 lbs.

SPECIFICATIONS

High purity aluminum alloy housing for reduced weight. Excellent thermal conductivity and fast cooling. Very low lumen depreciation and high light purity with a choice of 45 degree beam angle or a 90 degree beam angle.

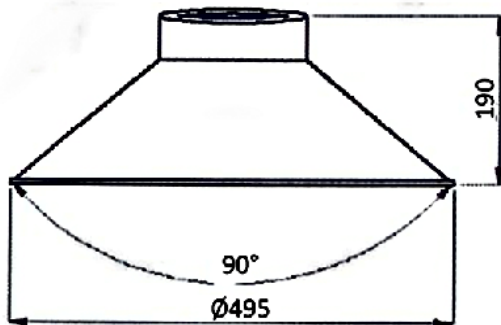


ORDERING DATA

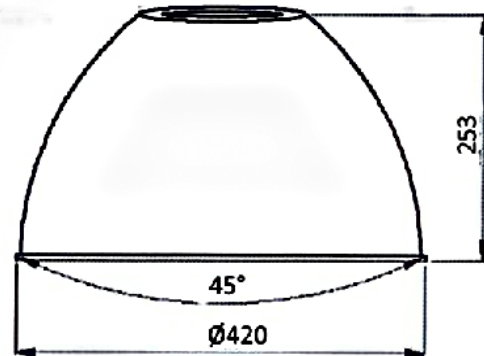
EXAMPLE: MLHBLED60MV50C

Series	Gear	Wattage & Lumens	Driver Type	Color Temperature	Reflector Type
MLHB	LED	60 60 watts 4650 Lumens 100 100 watts 9950 Lumens 150 150 watts 13500 Lumens 200 200 watts 19300 Lumens	MV 120-277V	50 5000K	C Cone (90°) D Dome (45°) CLD Clear Dome FRD Frosted Dome ALD Faux Alabaste Dome

ALUMINUM REFLECTOR



Reflector Cone



Reflector Dome



Dimensions and specifications subject to change without notice.