

FEATURES & BENEFITS

HOUSING:

- ◆ Die-cast housing & front frame,
- ◆ Textured bronze powdercoat finish over a chromate conversion coating
- ◆ Front frame is hinged with an easy-open latch for "no tools need", hands free relamping
- ◆ Integral ballast box
- ◆ Photozell adaptable

REFLECTOR:

- ◆ Special aluminum reflector with adjustable socket bracket for IES Type II, III & IV distributions

LENS:

- ◆ Tempered flat clear glass lens

SOCKET:

- ◆ Porcelain 5KV pulse rated mogul base lampholder with nickel plated screw shell

MOUNTING:

- ◆ Mounts directly to flat poles, optional round pole or wall mount adapters available

WATTAGE:

- ◆ Pulse Start: 250 to 400w (400w require reduced envelope lamp)

LISTINGS:

- ◆ CSA listed for wet locations



ORDERING DATA

Catalog Number	Wattage	Voltage	Lamp	Ballast
MKH40AP250QLMHPS	250	Quad	PS	CWA
MKH40AP400QLMHPS	400	Quad	PS	CWA

Catalog Number	Description
MKH40RP	Round pole adapter for MKH, die-cast aluminum, bronze powder coat finish. Fits 4" or 6" O.D. Round Poles
MKH40WM	Wall mount adapter for MKH, die-cast aluminum, bronze powder coat finish
MKHPCB	Photocell bracket, includes receptacle, bronze powder coat finish
MAL73GS	Glare shield, aluminum, bronze powder coat finish



MKH40RP



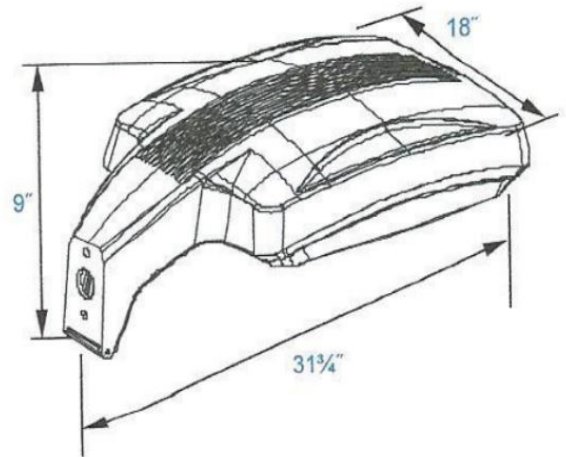
MKH40WM



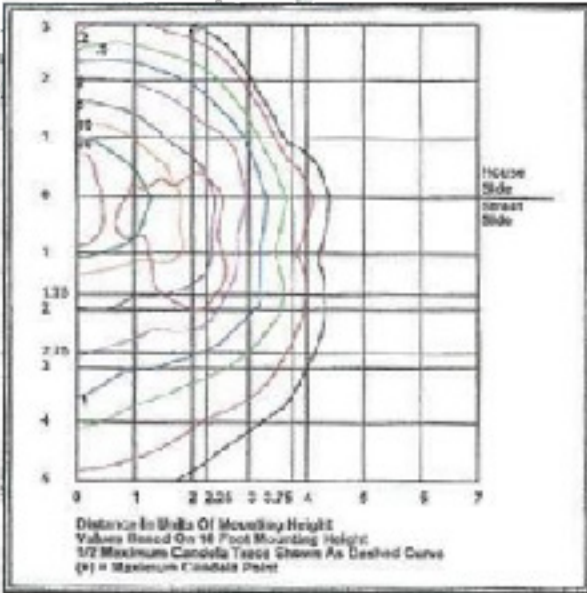
MKHPCB



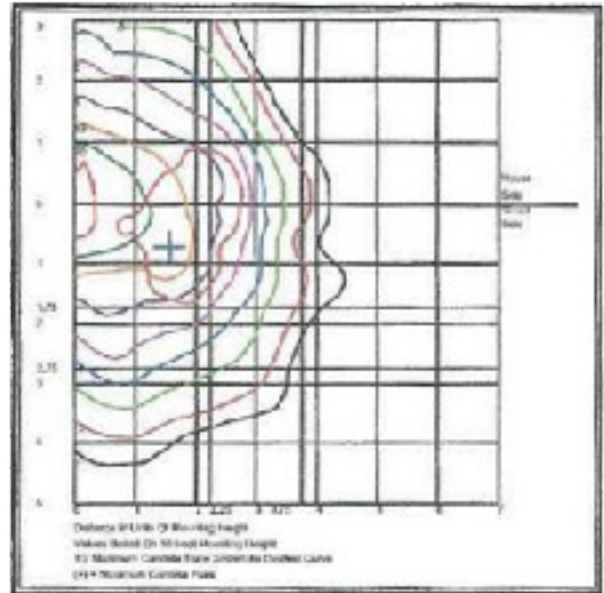
MAL73GS



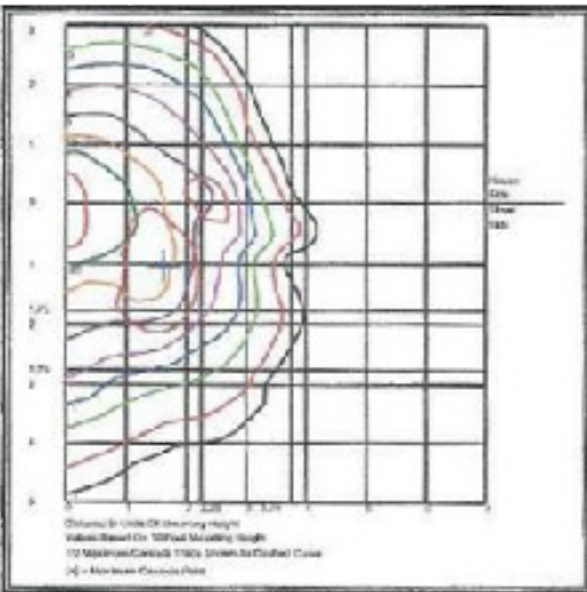
Dimensions and specifications subject to change without notice.



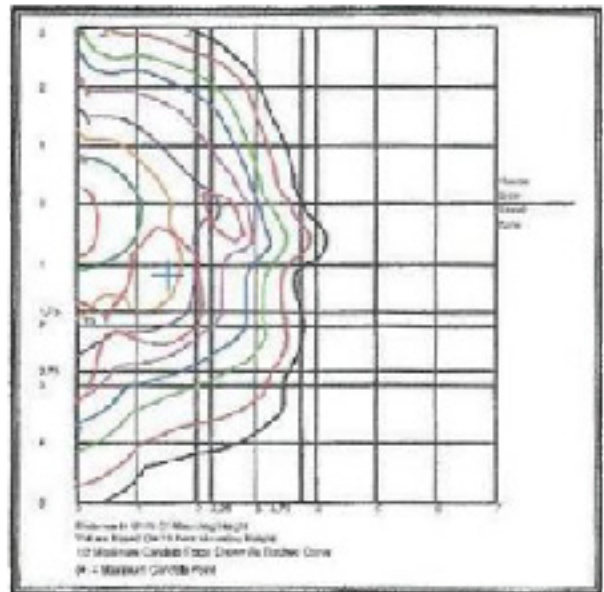
MKH40AHPS400 - Type III



MKH40APS400 - Type II



MKH40APS400 - Type III



MKH40APS400 - Type IV

Dimensions and specifications subject to change without notice.