

#### APPLICATIONS

The MIRBFLT LED is ideal for security, accent and perimeter lighting. Applications include parking lots, garages and commercial buildings

#### FEATURES & BENEFITS

- ◆ Heavy duty die cast aluminum housing
- ◆ Bronze powder coat finish
- ◆ Glass lens
- ◆ One piece anodized aluminum reflector
- ◆ 1/2" NPT die cast slip fitter
- ◆ Constant current class 2
- ◆ 5 year warranty
- ◆ IP66 Rated



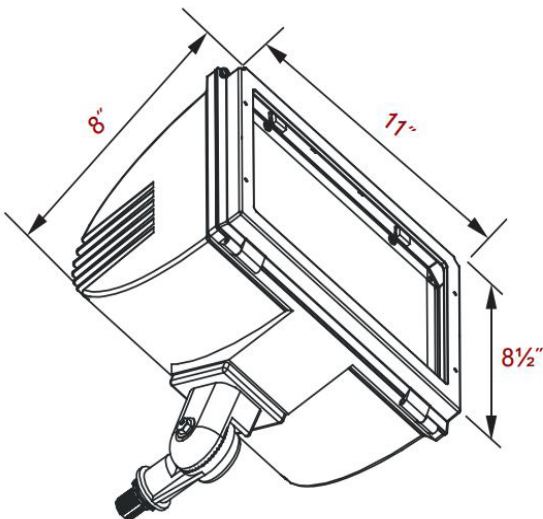
#### APPLICATIONS

Housing is die-cast aluminum body. Standard finish is bronze. Tempered clear glass lens. 1/2" NPT die cast slip fitter.

#### ORDERING DATA

**EXAMPLE: MIRBLFTLED42MV50**

MIRBFLT	LED			MV		
Series	Gear	Wattage / Lumens		Driver	Color Temp	Options
MIRBFLT Round Back Flood	LED	14	14 Watts 1358 Lumens	MV 120-277V	30 3000K	PC120 120V Photocell
		28	28 Watts 2716 Lumens		40 4000K	PC2087 208/277V Photocell
		42	42 Watts 4074 Lumens		50 5000K	
					55 5500K	



Dimensions and specifications subject to change without notice.

